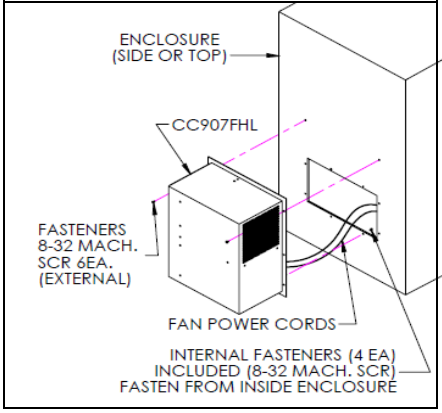
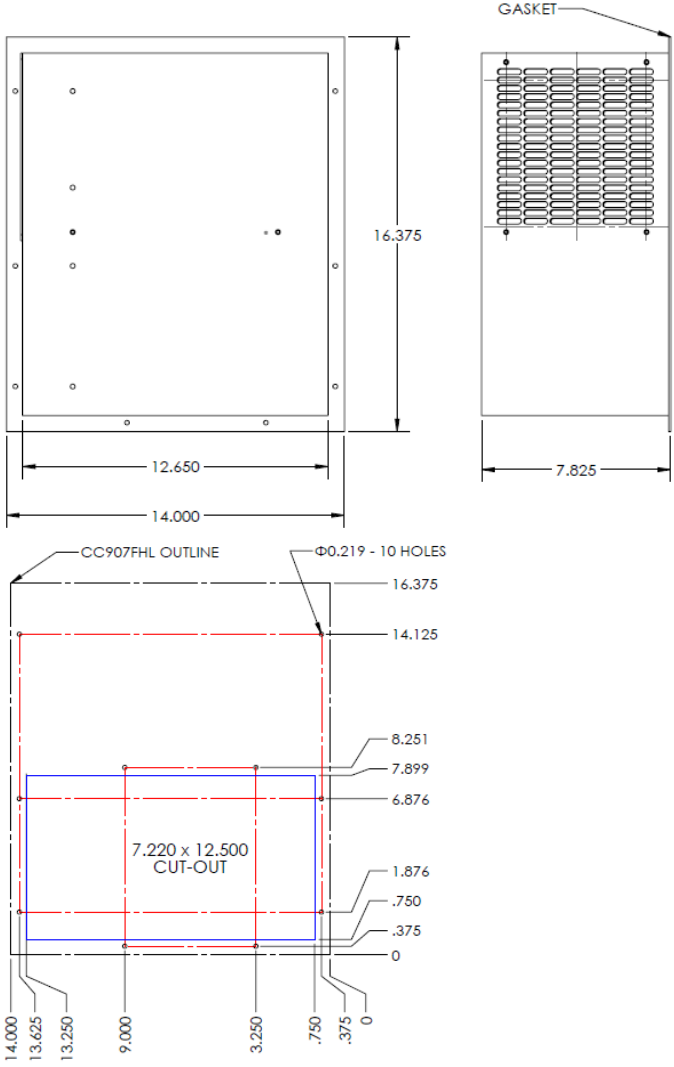


CC907FHL-WL-IP66, xxx COMPACT CABINET COOLER AIR-TO-AIR FLUSH-MOUNT MODEL HAZARDOUS LOCATION CLASS I, ZONE 2 (ATEX/IECEX)

Model	Weight	Rating @ 20°C ΔT BTU / hr	Amps Current Draw at 115 volts AC	Fan Size	Dimensions-Inches (H x W x D)
CC907FHL	31 lbs	4,500	0.6	2 x 6"	16-3/8 x 14 x 7-7/8

Efficiency: 66.0 Watts / °C ΔT based on average internal cabinet temperature.
ATEX/IECEX Certificate Reference: **DEMKO 15 ATEX 1403. IECEX UL 15.0081 X**



- ### SPECIFICATIONS
- ATEX/IECEX certified for hazardous locations Class I, Zone 2 environments.
 - CC907FHL Rated cooling: 1,320 Watts at 20°C ΔT (66.0W/°C, mounted to an uninsulated 72" X 36" X 24" Cabinet)
 - Designed for surface mounting on outside of cabinet.
 - Housing is Stainless Steel (TYPE 316 14 GAUGE).
 - Equipped with mounting gasket to maintain air tight seal.
 - Available with AC (115 & 230V) and DC (12, 24 & 48V).
 - Unit may be mounted vertically (as shown) or horizontally.
 - Optional: inlet air-filter kit available upon request.
 - ATEX/IECEX Standards: 60079-0, 6th Ed. + Corr. 1:2012 + Corr. 2:2013, IEC 60079-15, 4th Ed., CENELEC EN 60079-0:2012 + A11:2013 and CENELEC EN 60079-15:2010
 - 10. For design, quote, and sizing assistance: call (888) 754-6329.**



NOREN 225 Olden Drive, West Park, CA 94025, (888) 754-6329, www.pelmareng.com

Pelmar Engineering Ltd.
Tel. (888) 754-6329
sales@pelmareng.com
www.pelmareng.com

CC907FHL-WL-IP66, xxx

UL-PBD-8.2.1-200003-D