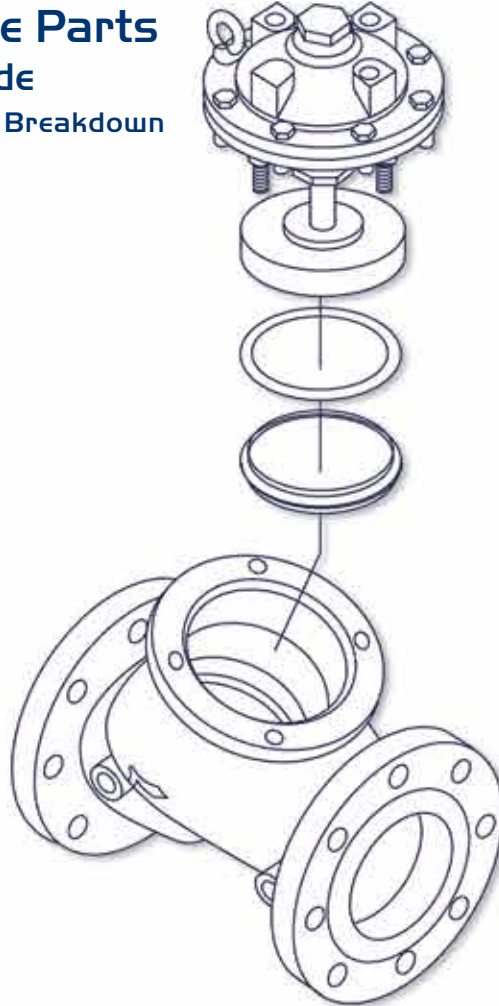


Spare Parts

**WW - Spare Parts  
Ordering Guide**  
Illustrated Parts Breakdown



**WW - Spare Parts - Ordering Guide**

Illustrated Parts Breakdown


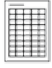












July 2011

Water Control Solutions





# BERMAD WW Spare Parts

<b>Contents</b>		<b>Page</b>
	<b>Ordering Guide Example</b>	ii
	<b>Ordering Form</b>	iii
	<b>400 Series</b> Basic Control Valves	13a-13c
	<b>WD 900 Series</b> Hydrometers and Automatic Metering Valves	15d- 17d
	<b>PC Series</b> Mini Pilot Valves	33, 37a
	<b>700 Series</b> Diaphragm Actuated Basic Control Valves	
	<b>700 EN</b> Series Diaphragm Actuated Basic Control Valves	38-41b
	<b>700 ES</b> Series Diaphragm Actuated Basic Control Valves	
	<b>Model 73Q</b> Pressure Relief Valves - Quick Type	42
	<b>7000 Series</b> Piston Actuated Large Control Valve	43
	<b>Pilots</b>	44-54
	<b>70F Series</b> Strainers	55
	<b>70N Series</b> Check Valves	56
	<b>700-M6 Series</b> Diaphragm Actuated Large Control Valve	57, 57a, 57b
	<b>800 Series</b> Piston Actuated basic Control Valves	58-59a
	<b>Accessories</b>	60



# BERMAD WW Spare Parts

## Ordering Guide Example

### Please Indicate:

1. Page No.
2. Valve series
3. Valve size
4. Part No.
5. Part name
6. Quantity
7. Remarks (Spring color, special material, etc.)

Page No.	Valve series	Valve size	Part No.	Part name	Qty	Remarks (Spring color, special material etc.)
10a	350	3"x3"	30	O-Ring	2	
16a	900	4"	13	Diaphragm	4	

Example

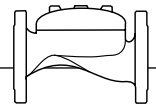
### To Order:

1. Make a copy of the Ordering Form (next page).
  2. Fill out your order details
- or
1. Make a copy of the article page and circle the required parts.
  2. Mention size and quantity
- and
3. Send by email to [info@bermad.com](mailto:info@bermad.com).





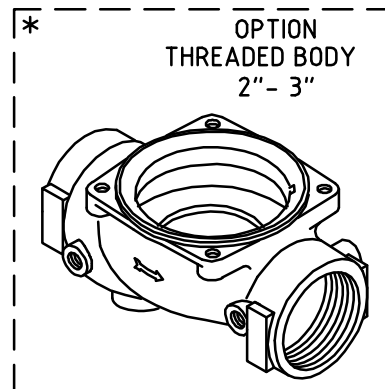
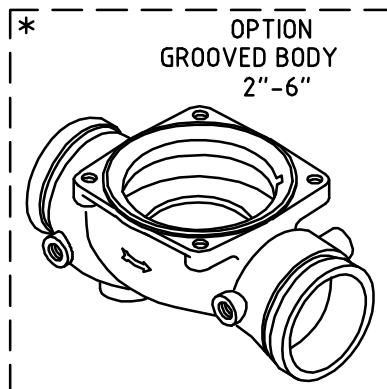
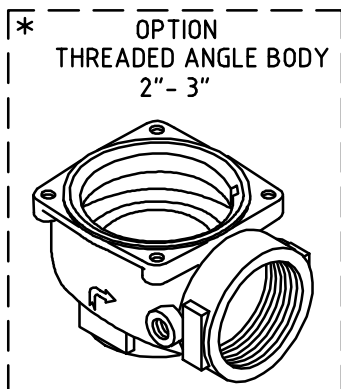
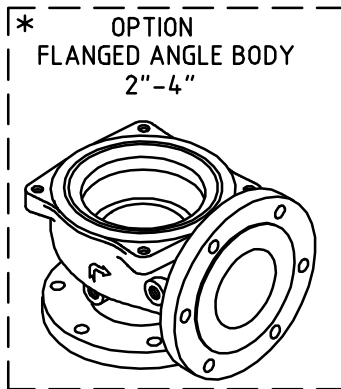
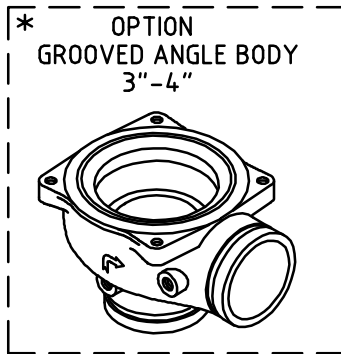
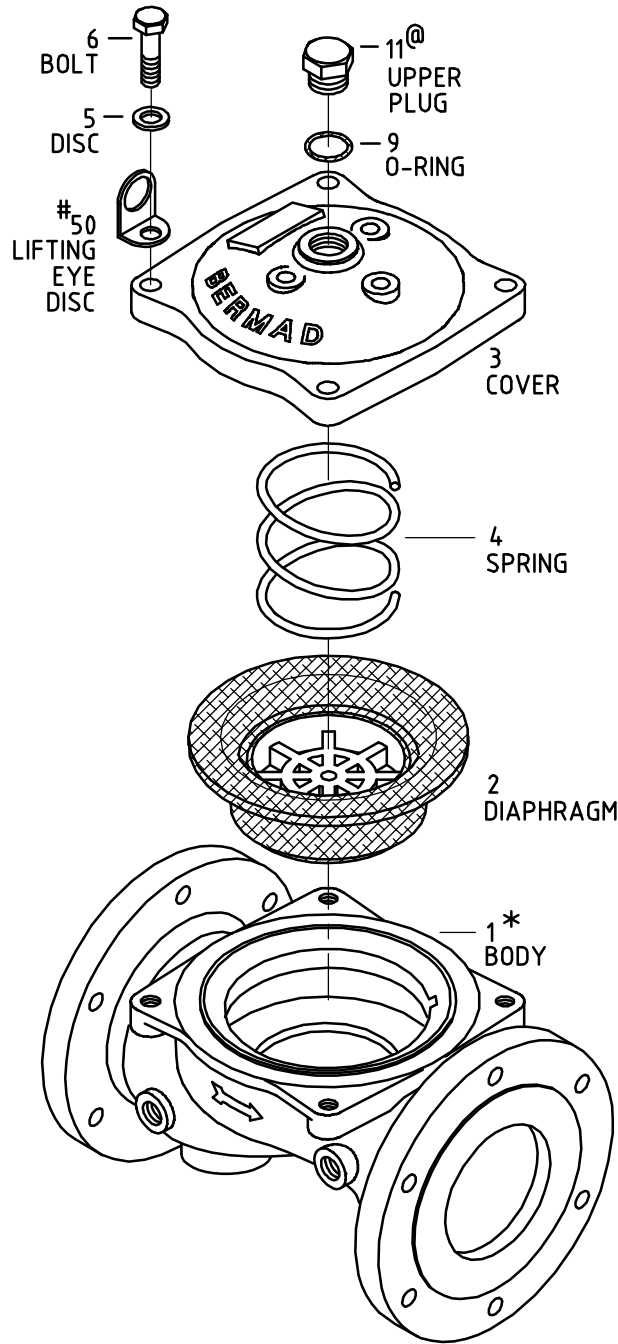
# BERMAD WW Spare Parts



400 Series

## Basic Control Valves for Waterworks (WW)

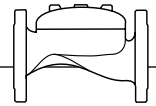
Size 2"-10"



# - FOR 4" - 10" ONLY  
 @ - OPTIONS (SEE PAGE 13a)



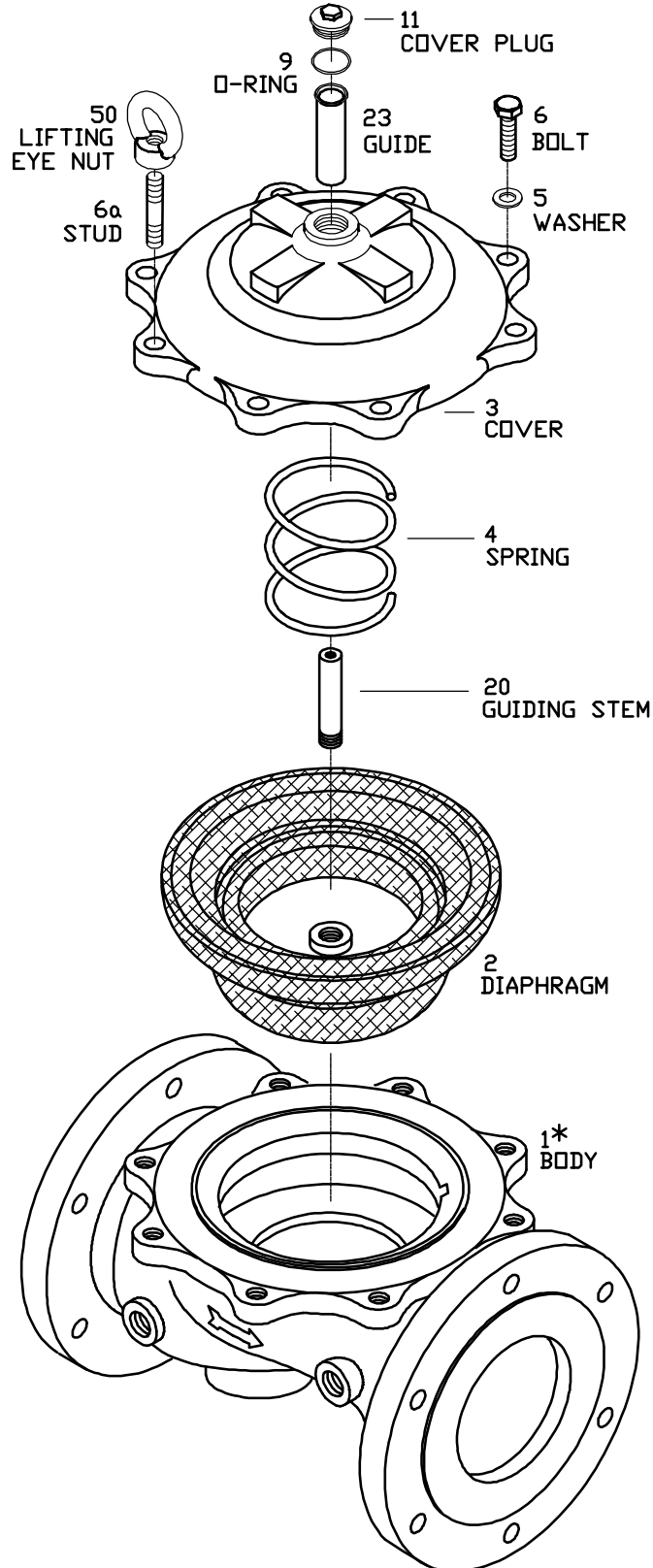
# BERMAD WW Spare Parts

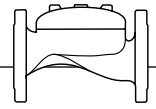


400 Series

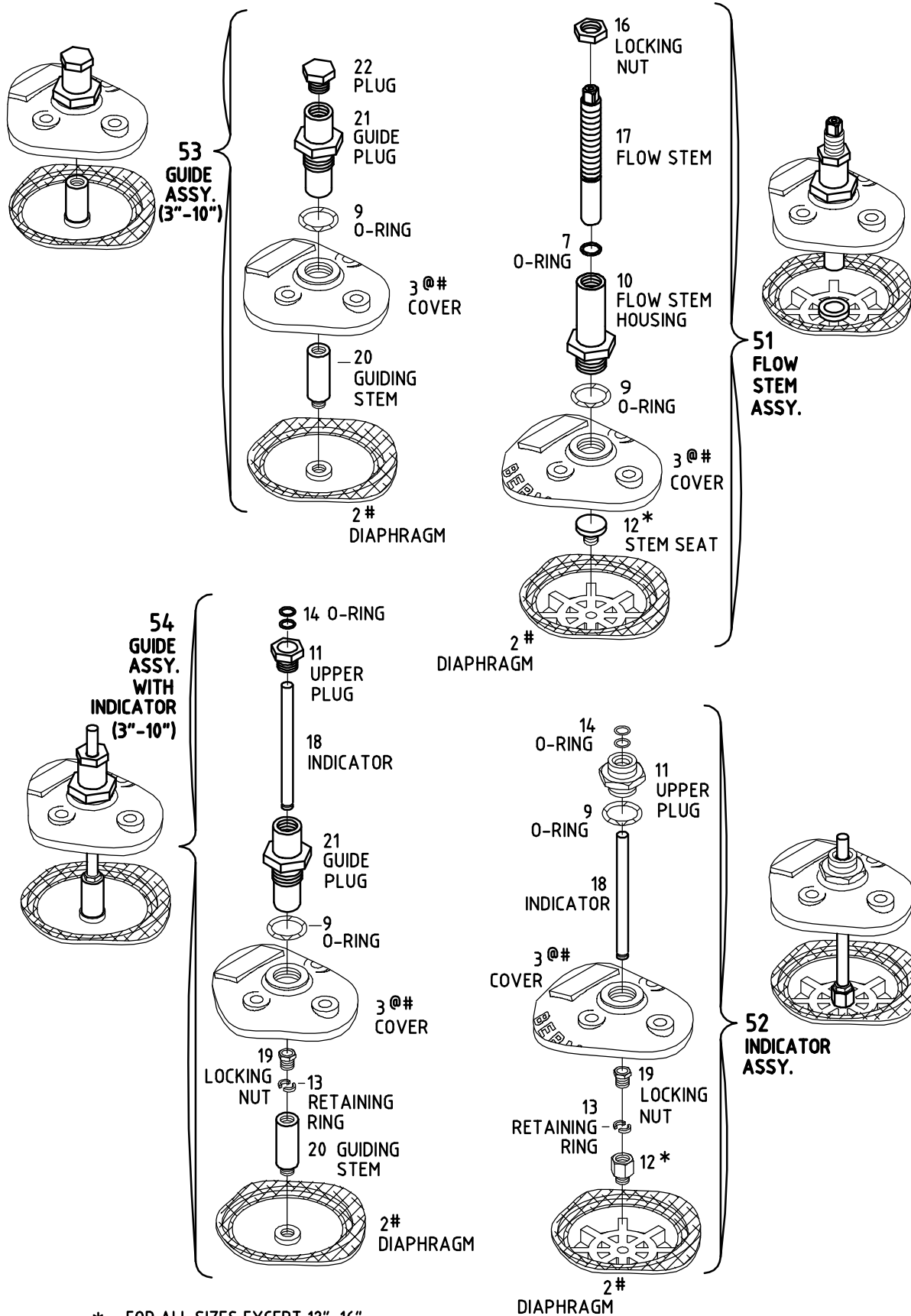
## Basic Control Vales (WW & IR)

Size 12" & 16"

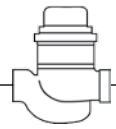




Accessories

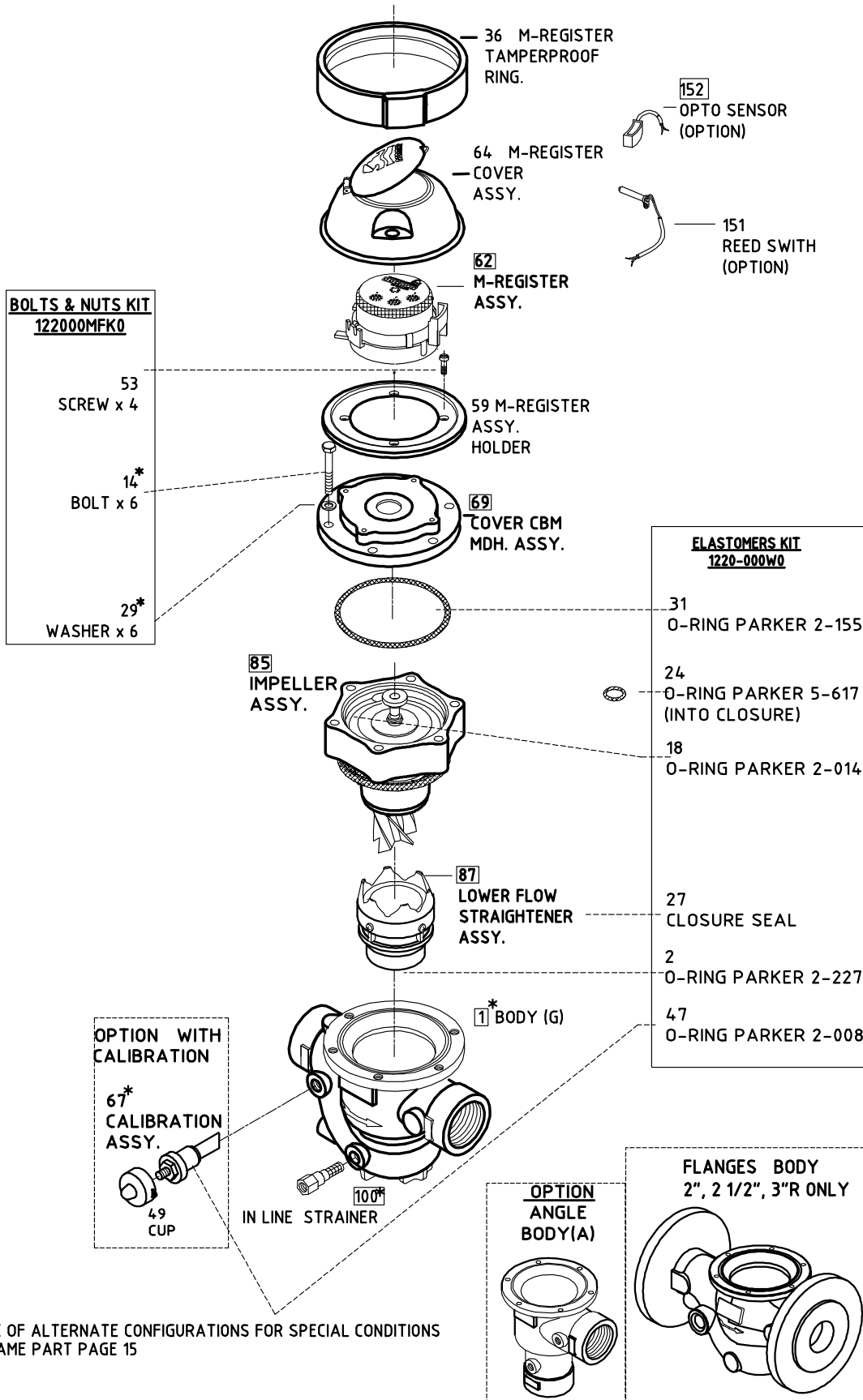


\* - FOR ALL SIZES EXCEPT 12", 16"  
 @ - USE PART PAGE 13a  
 # - NOT INCLUDED IN THE ASSEMBLY



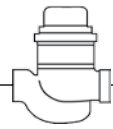
### CBM – Hydrometers with M-Register & V-Port

Sizes: 1 1/2", 2", 2 1/2" & 3"R



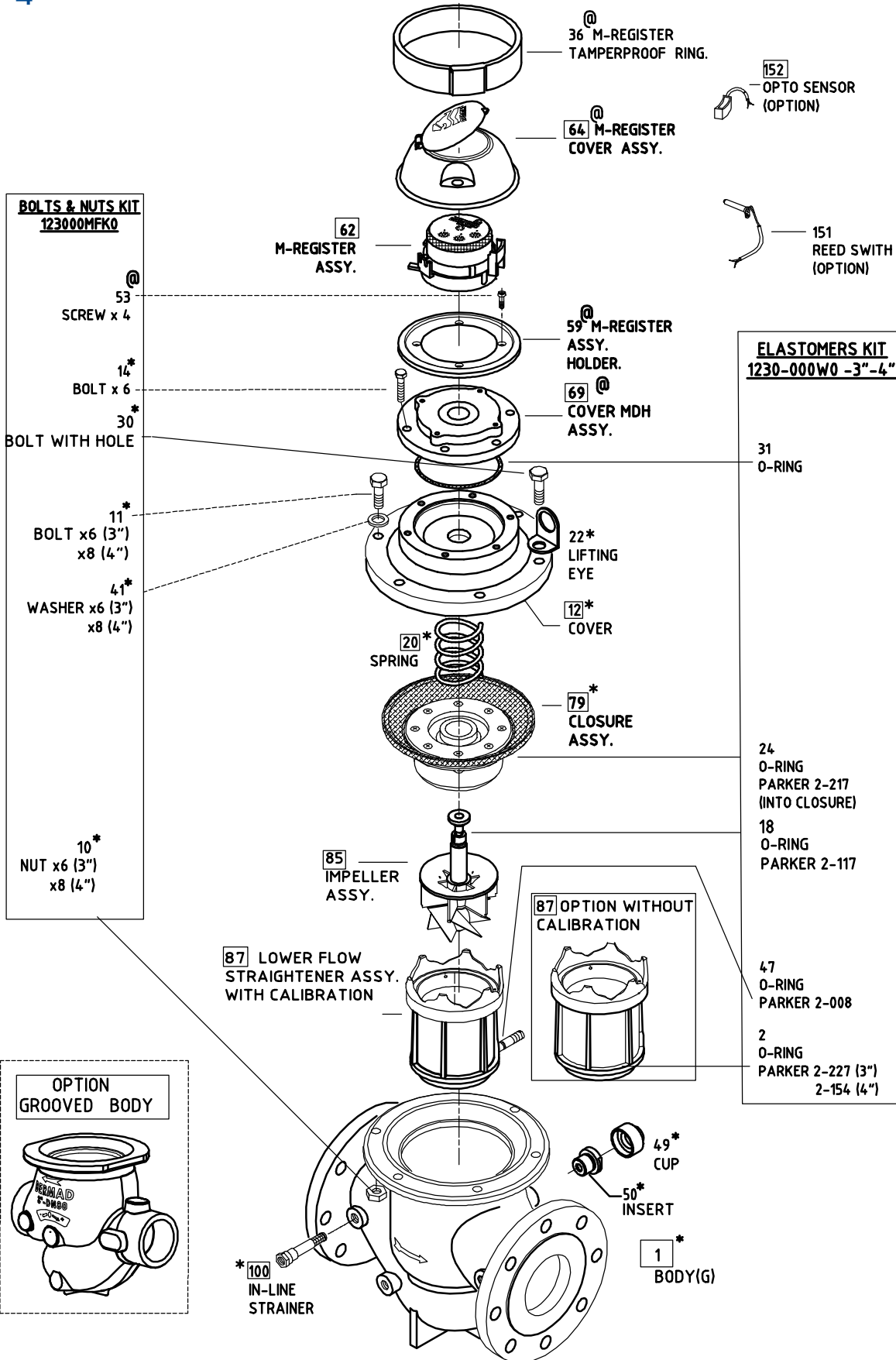
□ - RANGE OF ALTERNATE CONFIGURATIONS FOR SPECIAL CONDITIONS  
\* - USE SAME PART PAGE 15





### CBM – Hydrometers with M-Register & V-Port

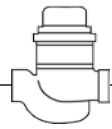
Sizes: 3" - 4"



□ - RANGE OF ALTERNATE CONFIGURATIONS FOR SPECIAL CONDITIONS

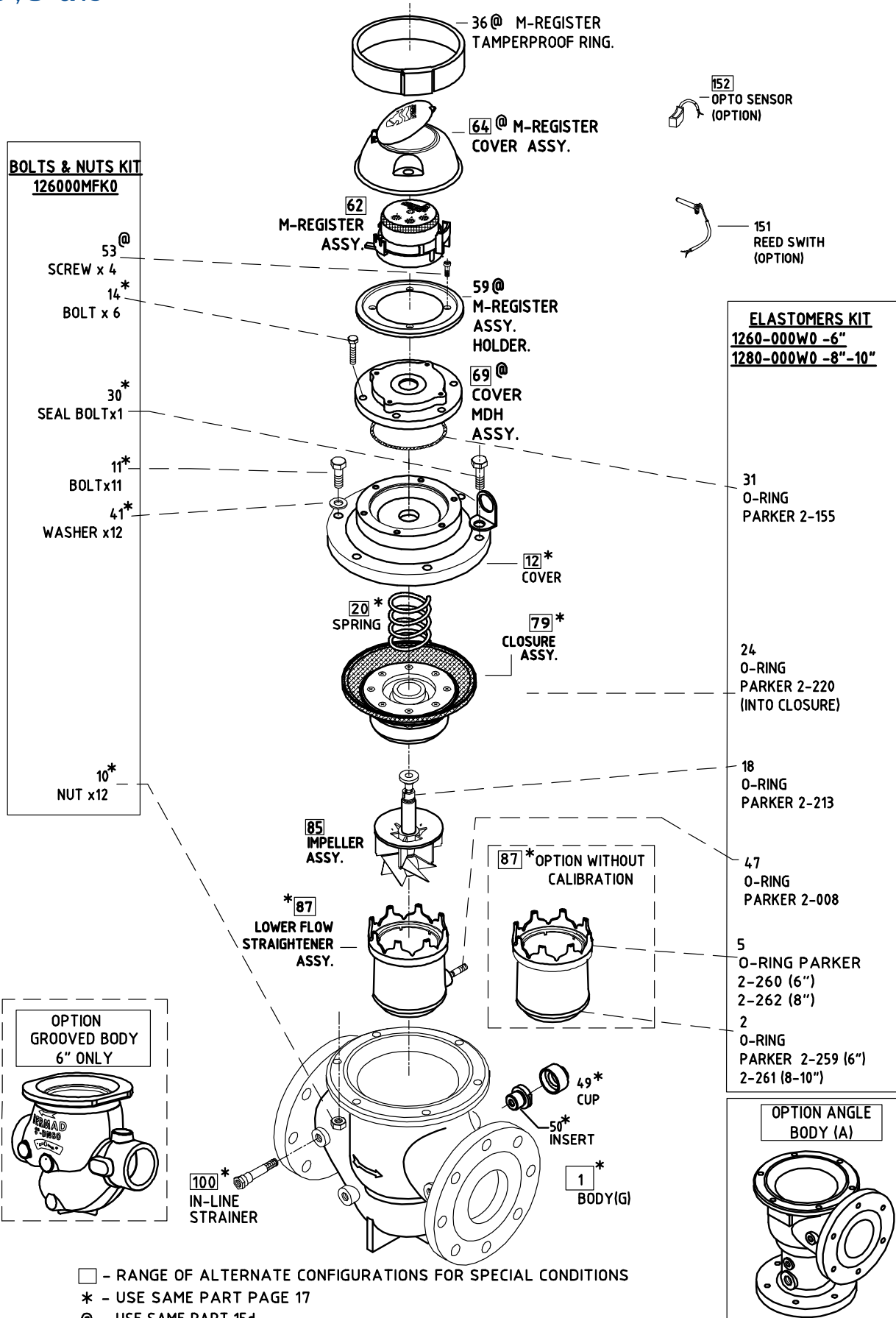
@ - USE SAME PART PAGE 15d

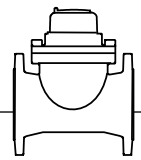
\* - USE SAME PART PAGE 16



### CBM – Hydrometers with M-Register & V-Port

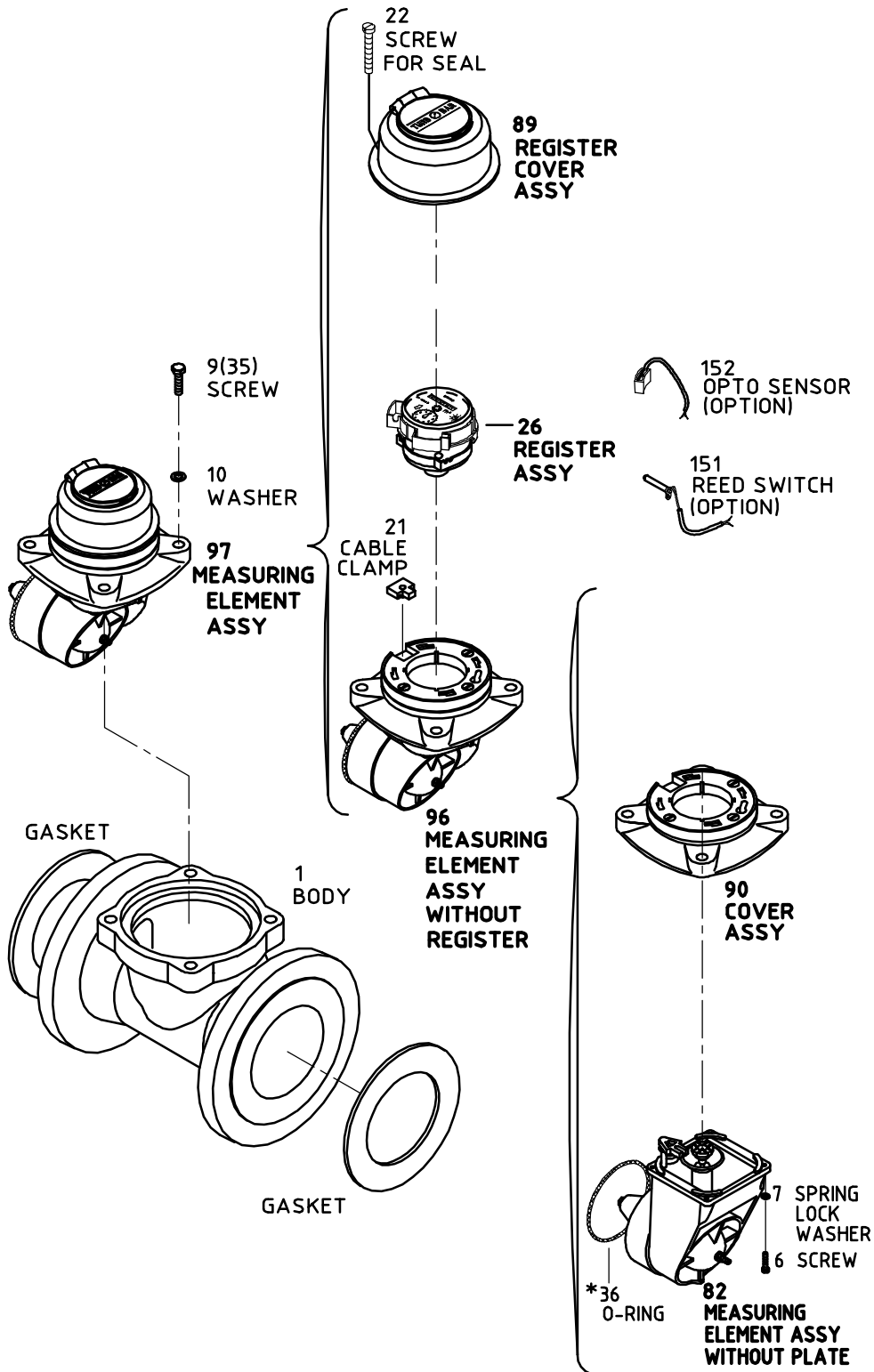
Sizes: 6", 8" & 10"



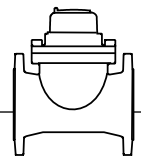


## Woltman Turbo Water Meter (WPH)

Sizes: 40mm - 125mm (1 1/2" - 5")

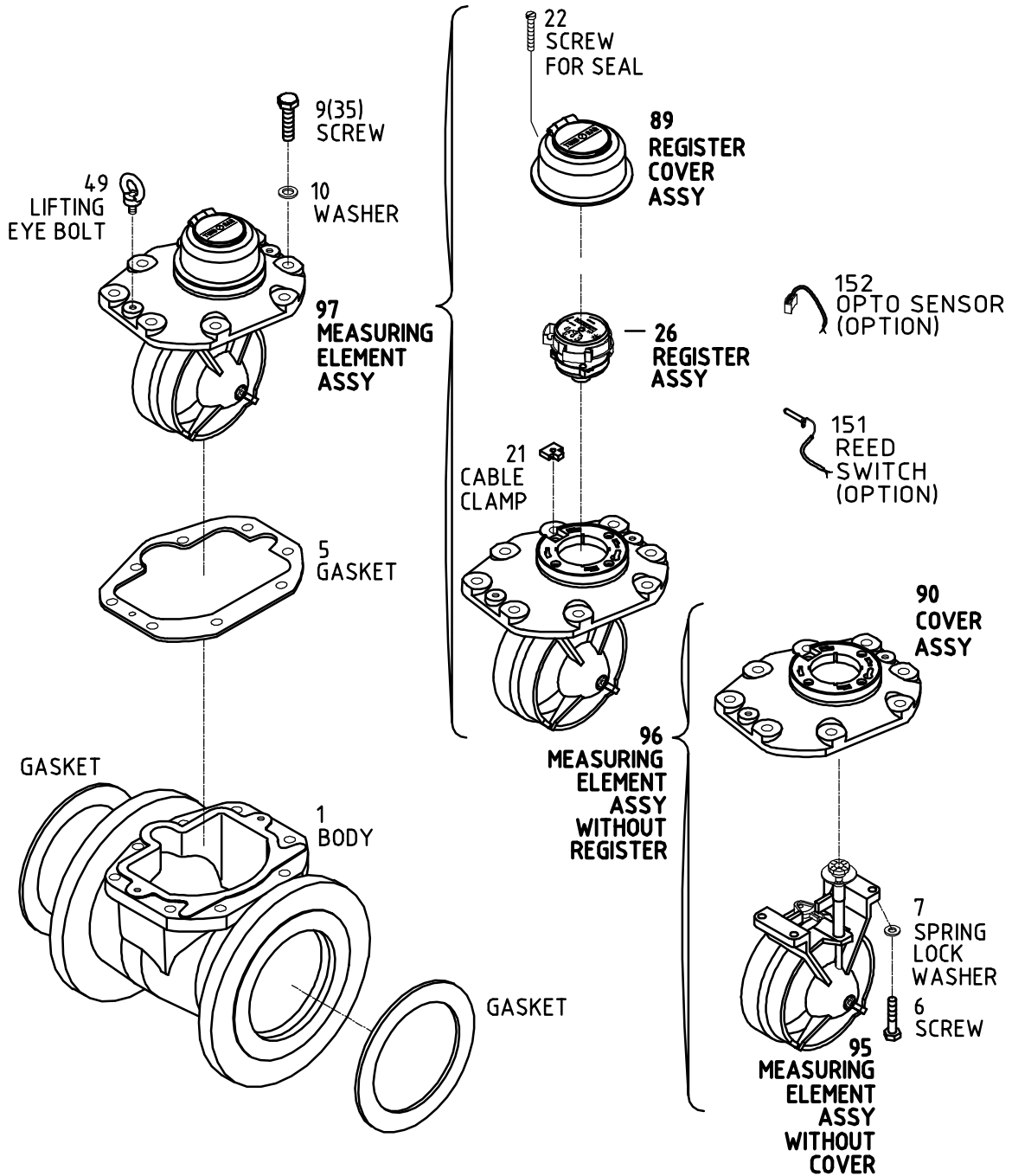


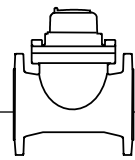
\* FOR DN 40-80 mm (1 1/2" - 3") ONLY



## Woltman Turbo Water Meter (WPH)

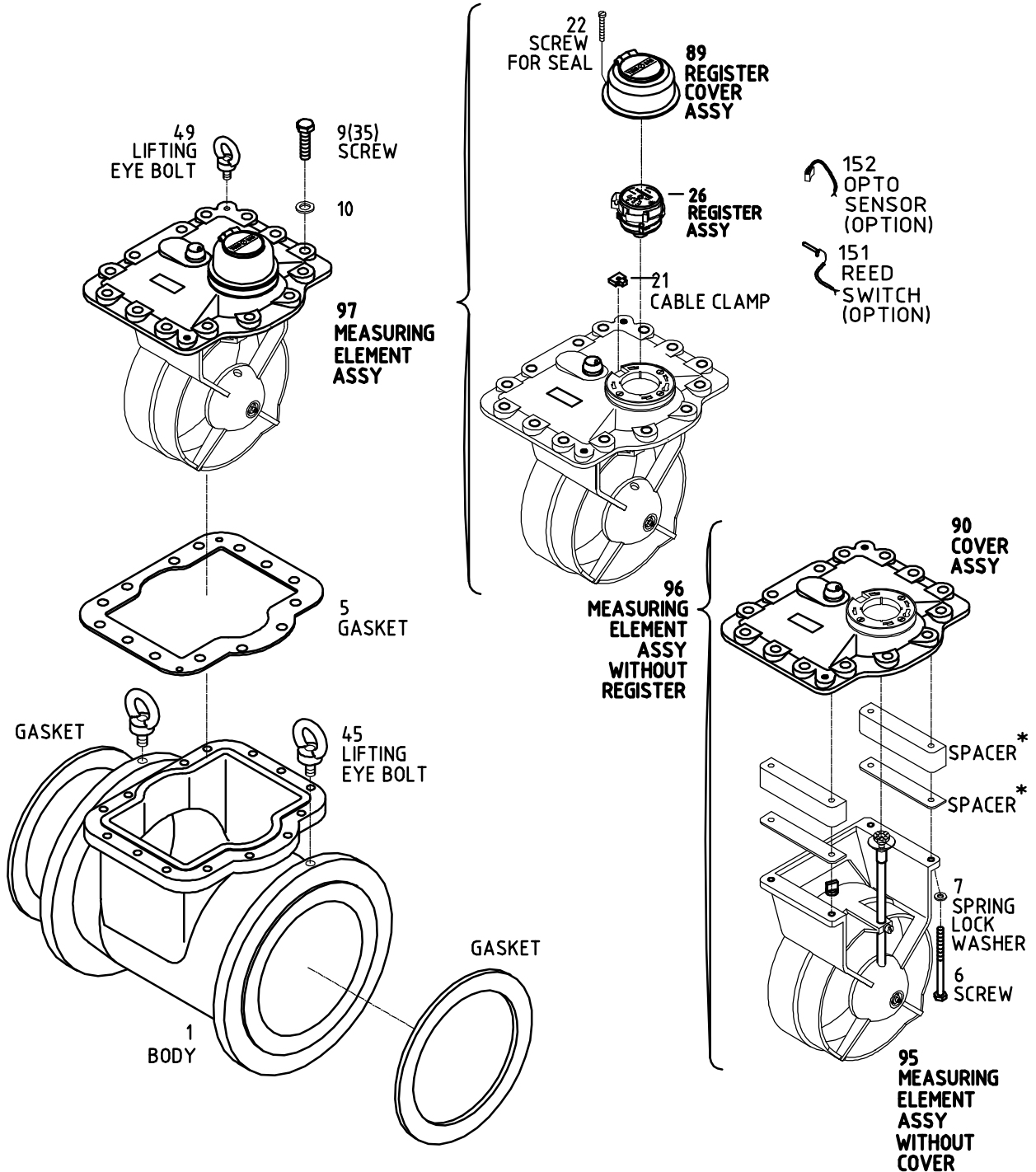
Sizes: 150mm - 200mm (6" - 8")





## Woltman Turbo Water Meter (WPH)

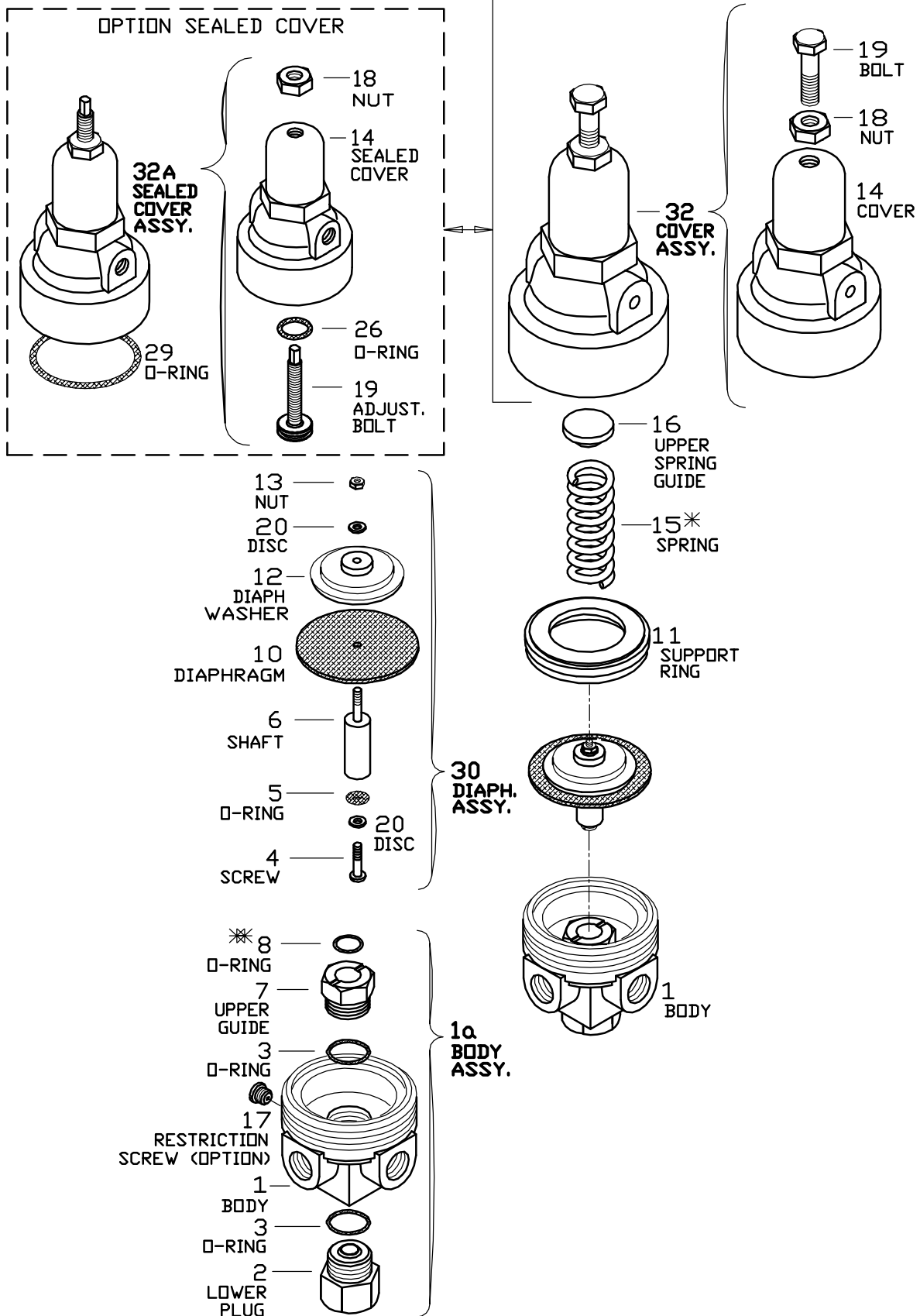
Sizes: 250mm - 500mm (10" - 20")



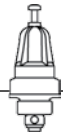
\* FOR DN 400-500 mm (16" - 20") ONLY



**PC-30-AM Metal 2-way Pressure Sustaining Mini Pilot Valve**  
**PC-30-AM Metal 2-way Quick Relief Mini Pilot Valve**

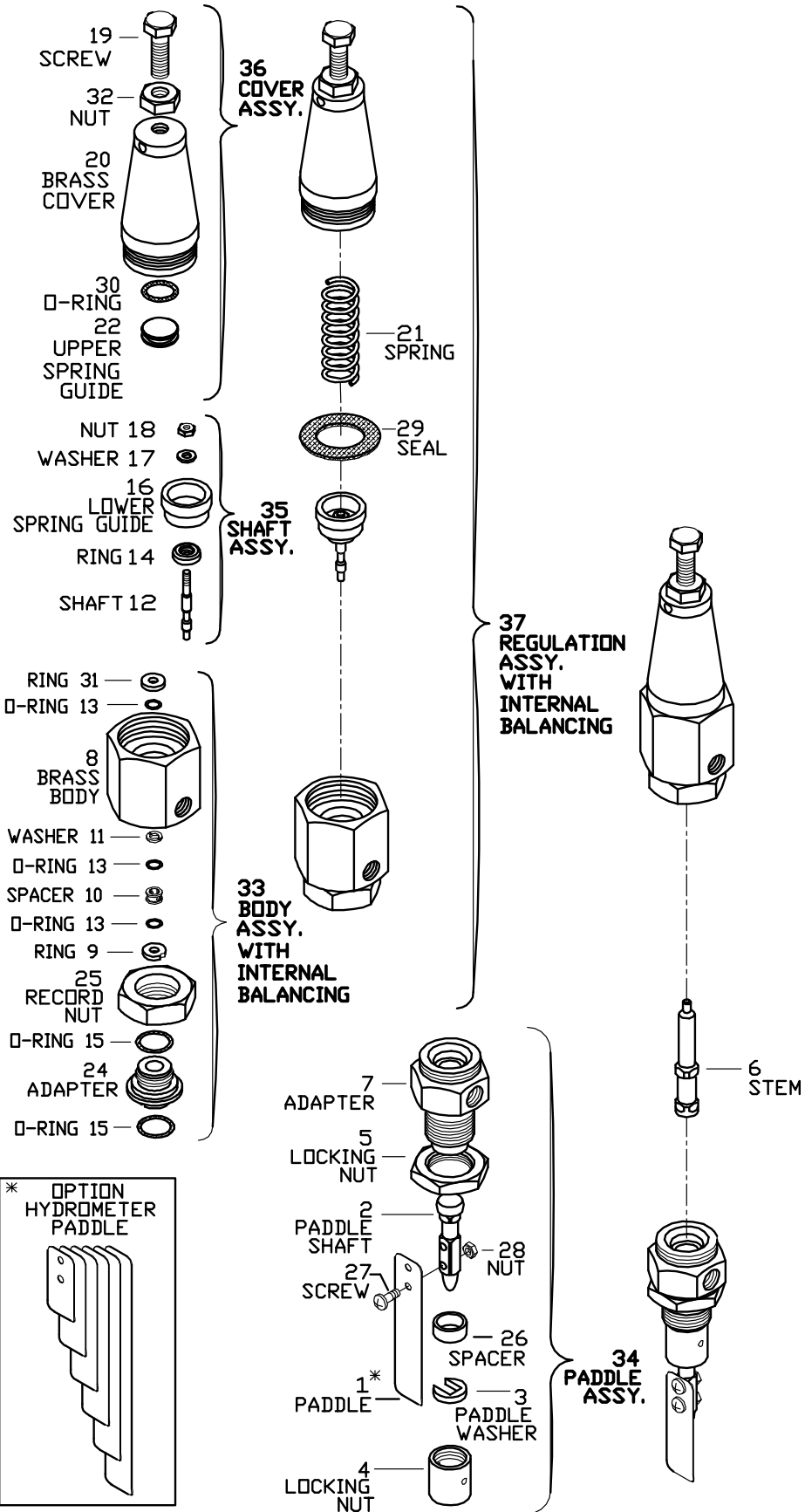


\* - DIFFERENT SPRING  
 \* - FOR SUSTAINING PILOT ONLY

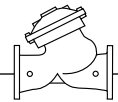


## PC-70-M-Metal 2-Wat Rate of Mini Pilot Valve

Paddle Type

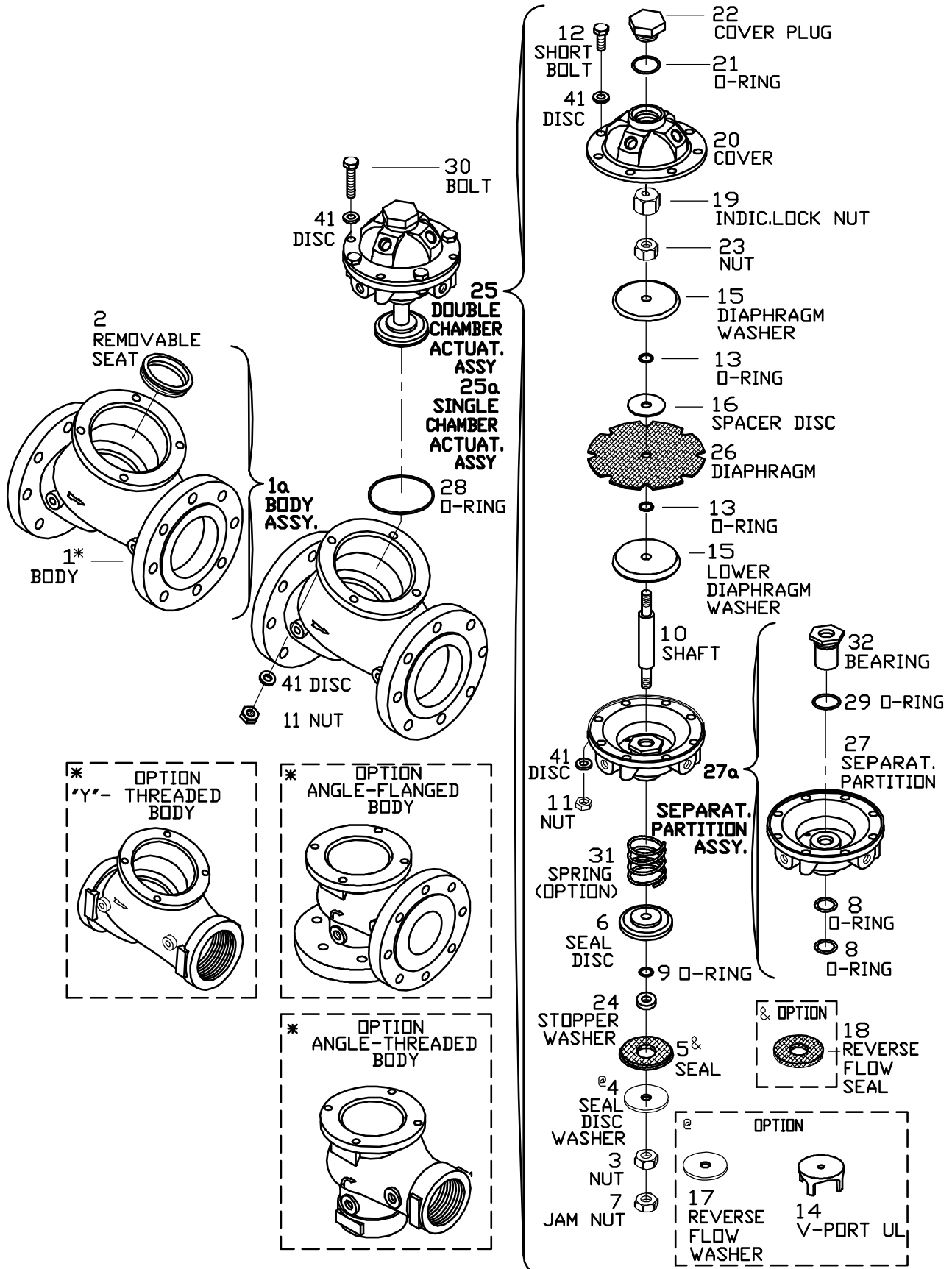


Ø	length	* OPTION HYDROMETER PADDLE
2"	35	
3"	50	
4"	65	
6"	80	
8"	95	
10"	110	



## Diaphragm Actuated Basic Control Valves

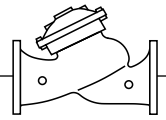
Size: 1 1/2", 2", 2 1/2" & 3"R







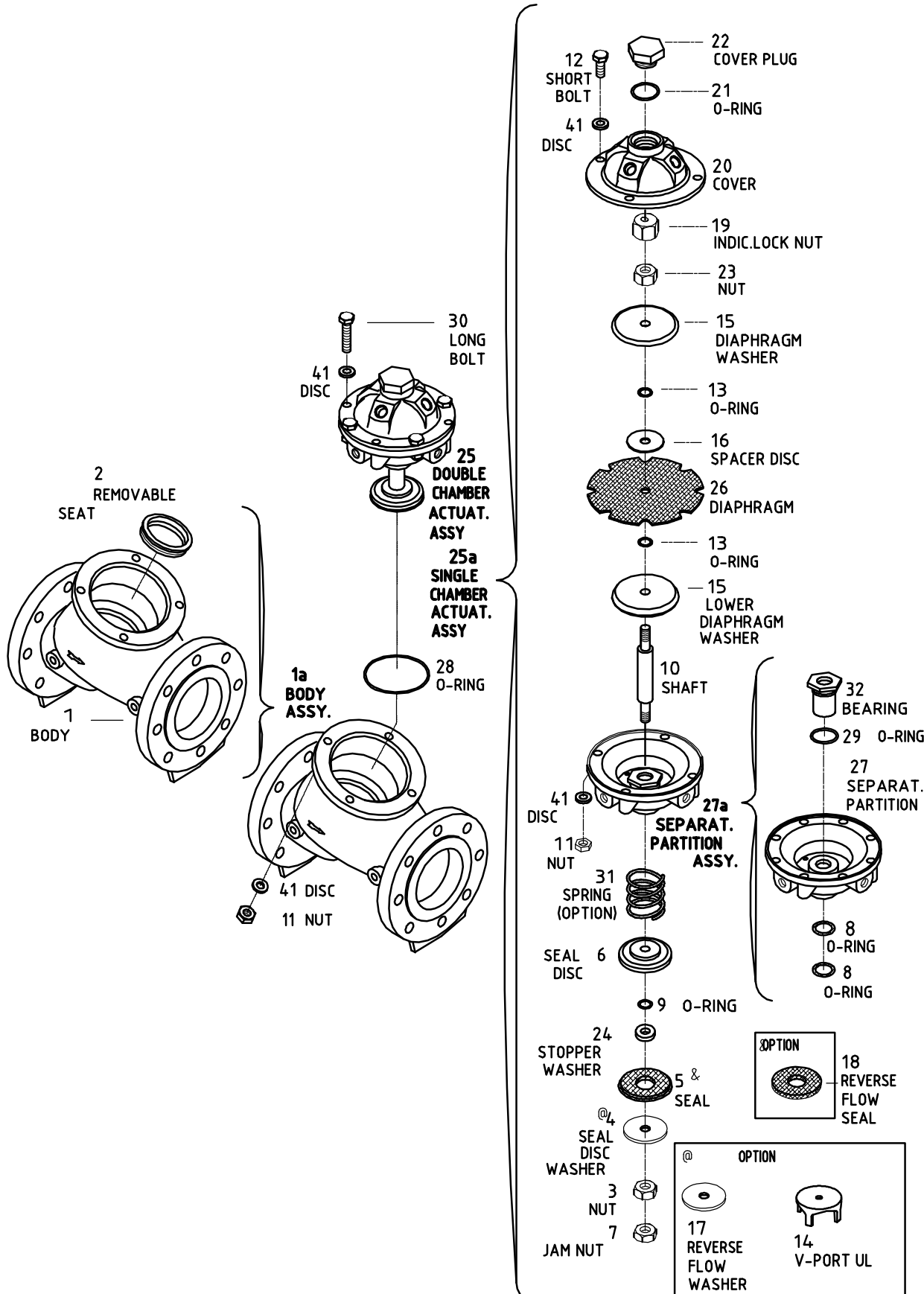
# BERMAD WW Spare Parts



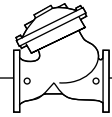
700EN Series

## Diaphragm Actuated Basic Control Valves

Sizes: 2" (50mm)

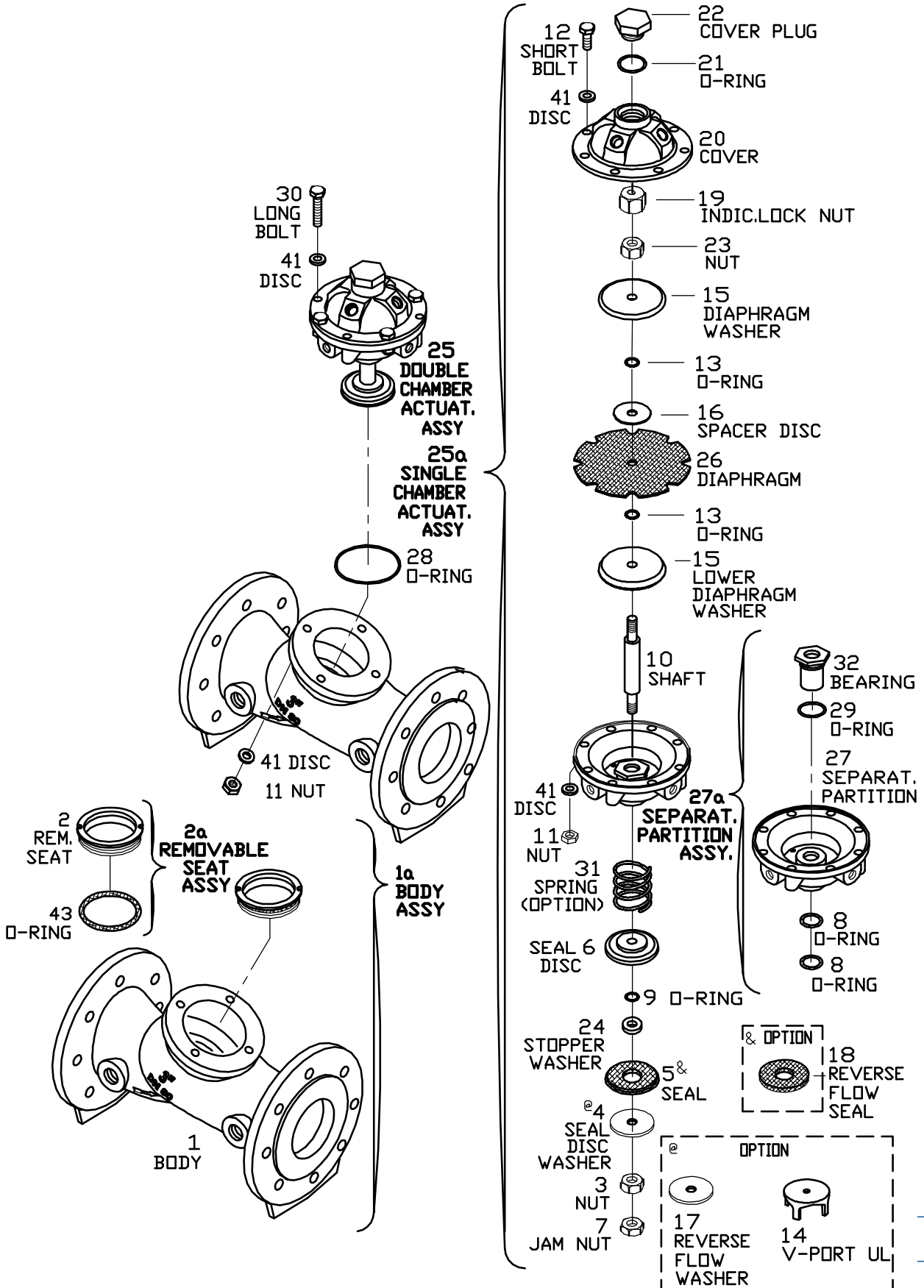


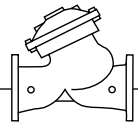
38EN



## Diaphragm Actuated Basic Control Valves

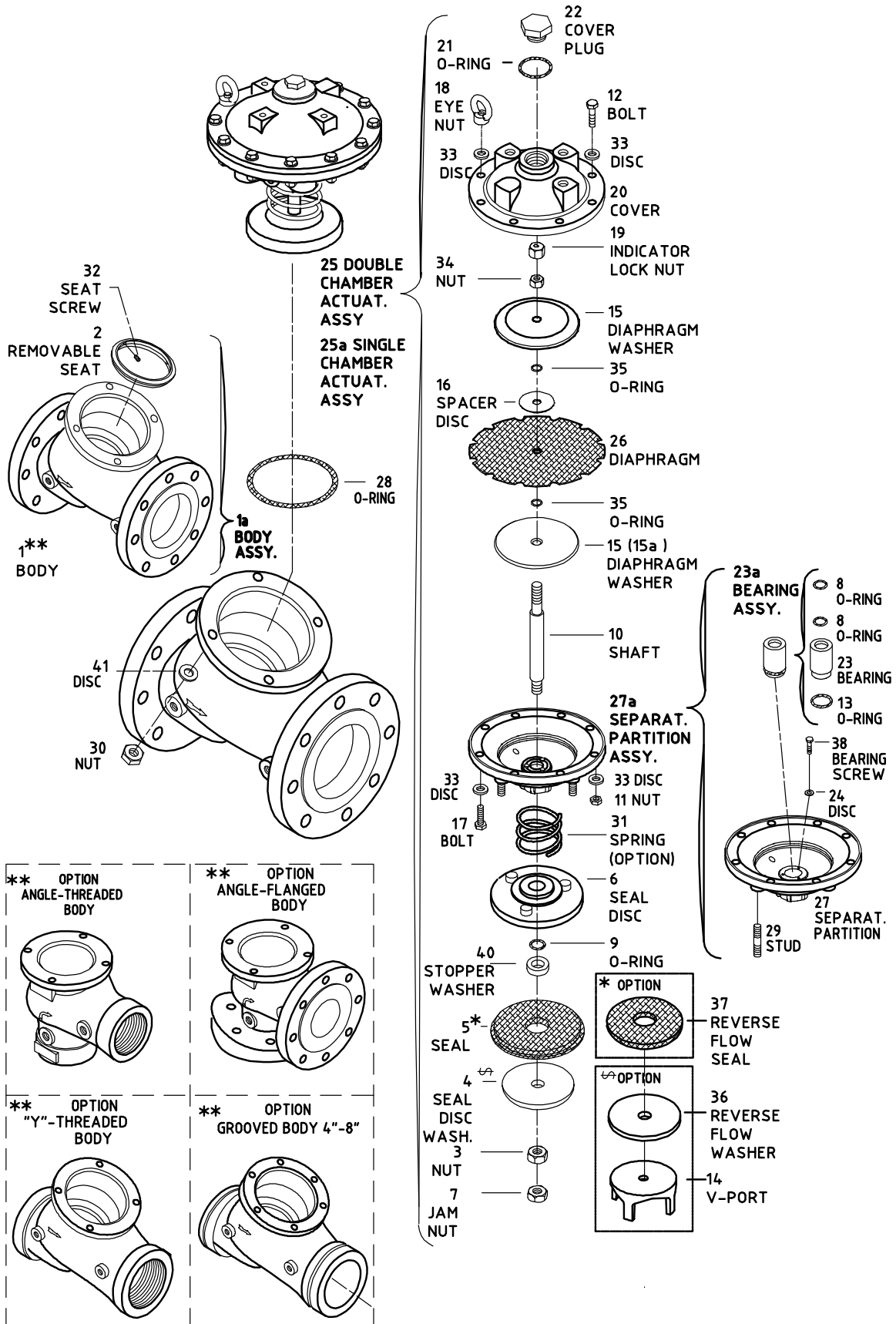
Sizes: 1 1/2"-3" (40mm-80mm)



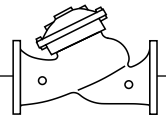


### Diaphragm Actuated Basic Control Valves

Size 3" & 4"R

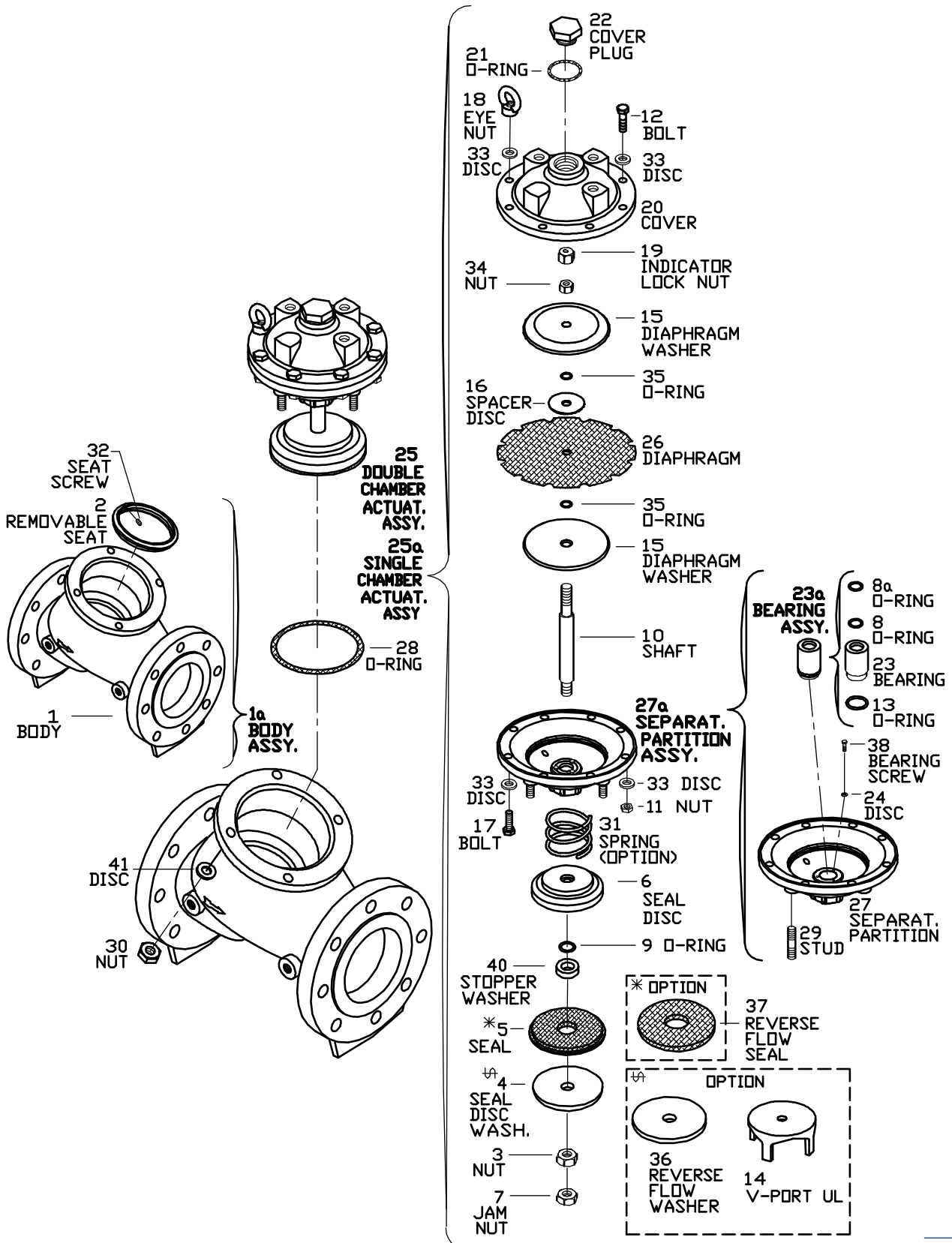


\* - PART NO. 5 ASSEMBLED WITH PART NO. 40

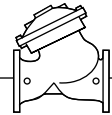


### Diaphragm Actuated Basic Control Valves

Size 3" (80mm)

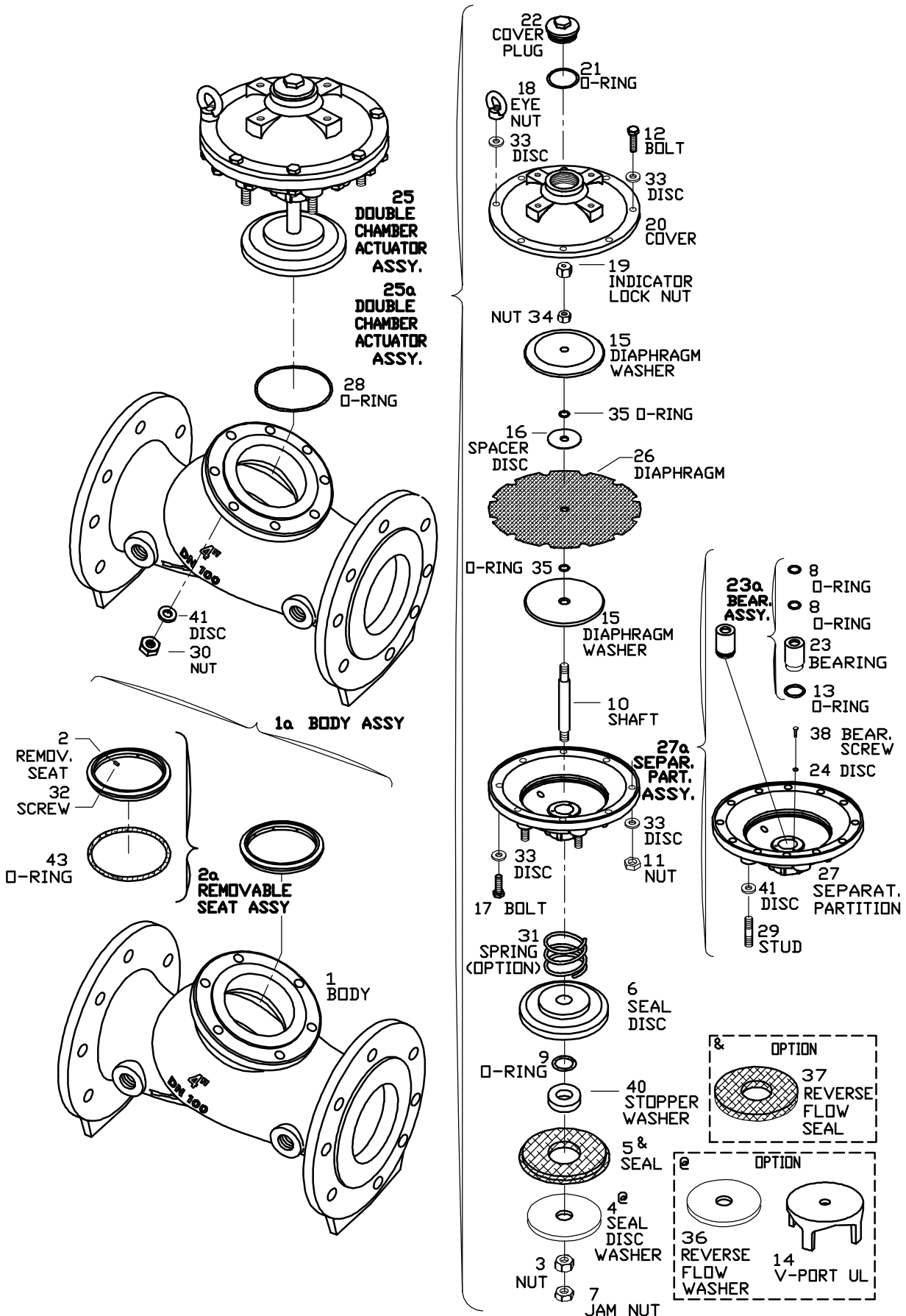


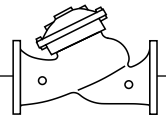
\* - PART NO. 5 ASSEMBLED WITH PART NO. 40



## Diaphragm Actuated Basic Control Valves

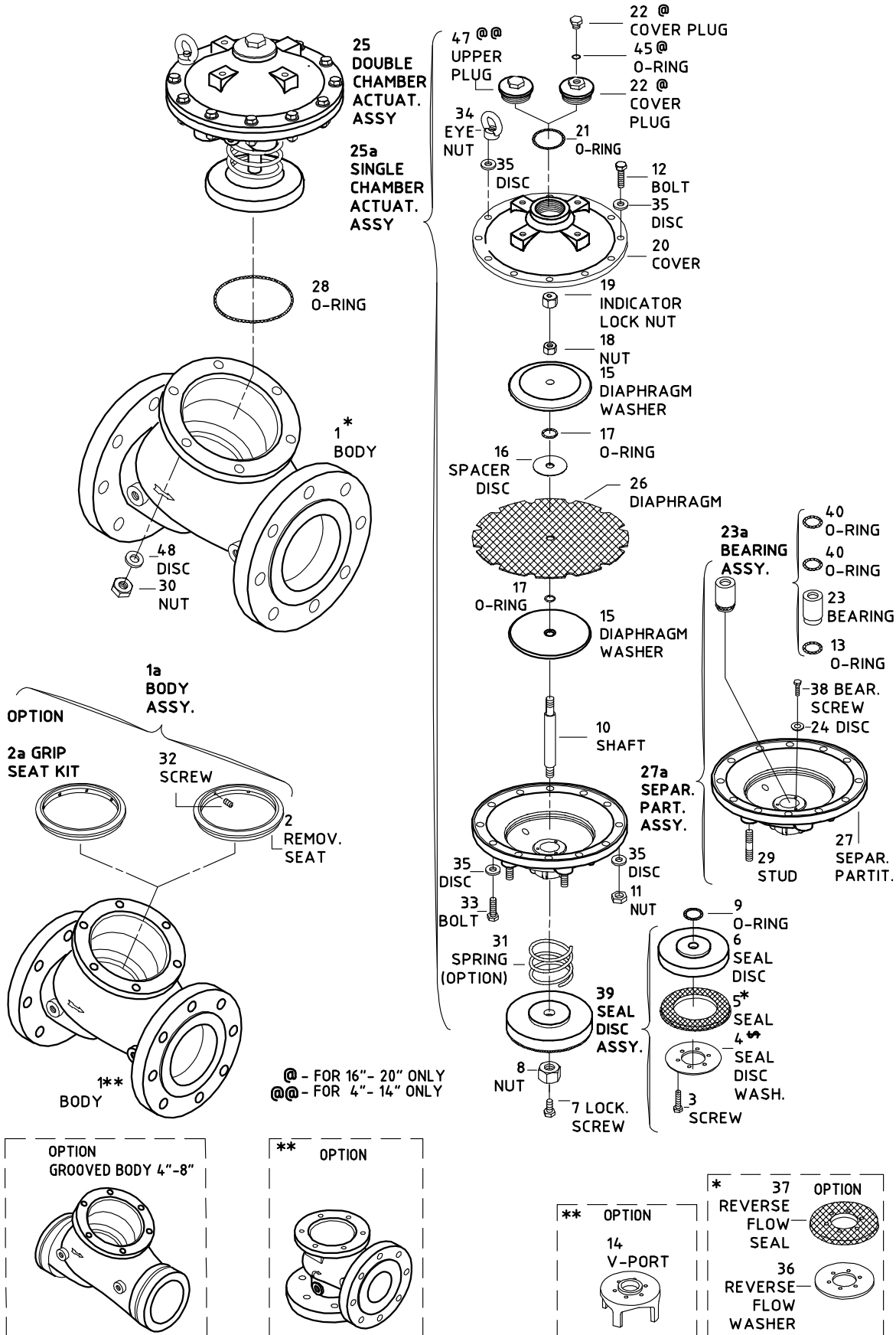
Size 4" (100mm)

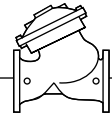




### Diaphragm Actuated Basic Control Valves

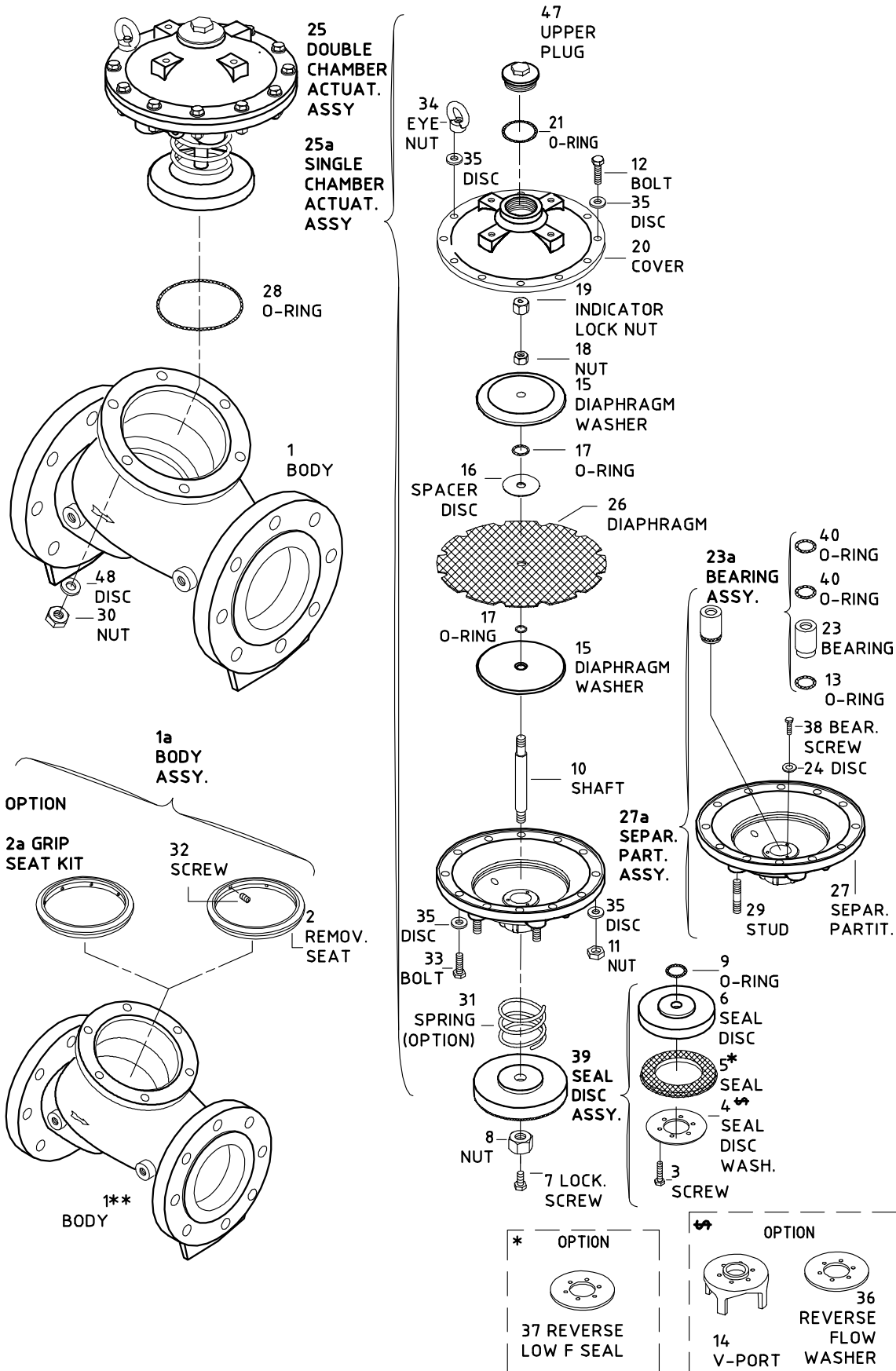
Size 4" - 20"

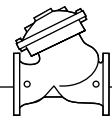




## Diaphragm Actuated Basic Control Valves

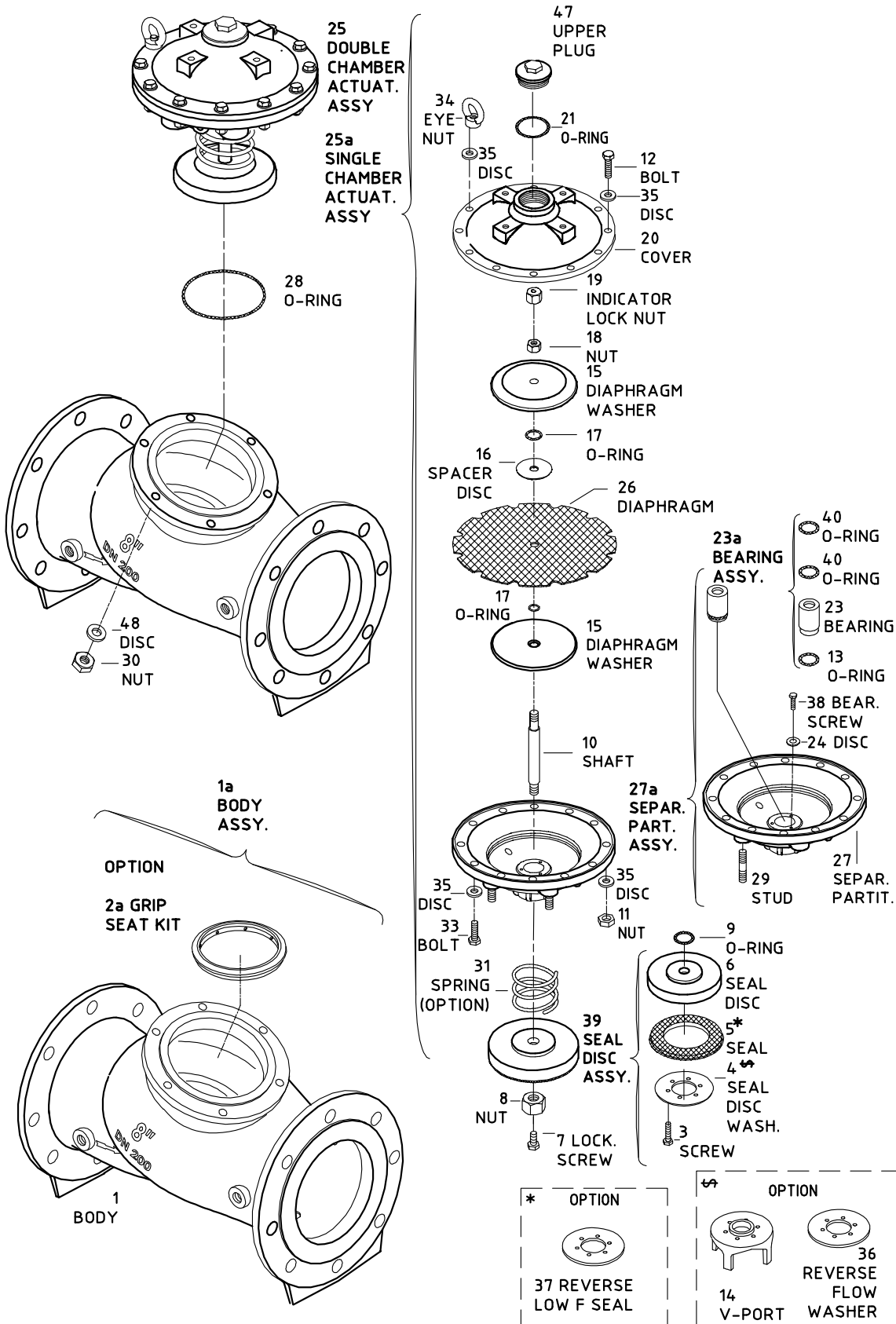
Size 4" - 12" (100mm-300mm)



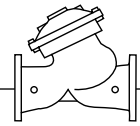


## Diaphragm Actuated Basic Control Valves

Size 5" - 24" (150mm-500mm)

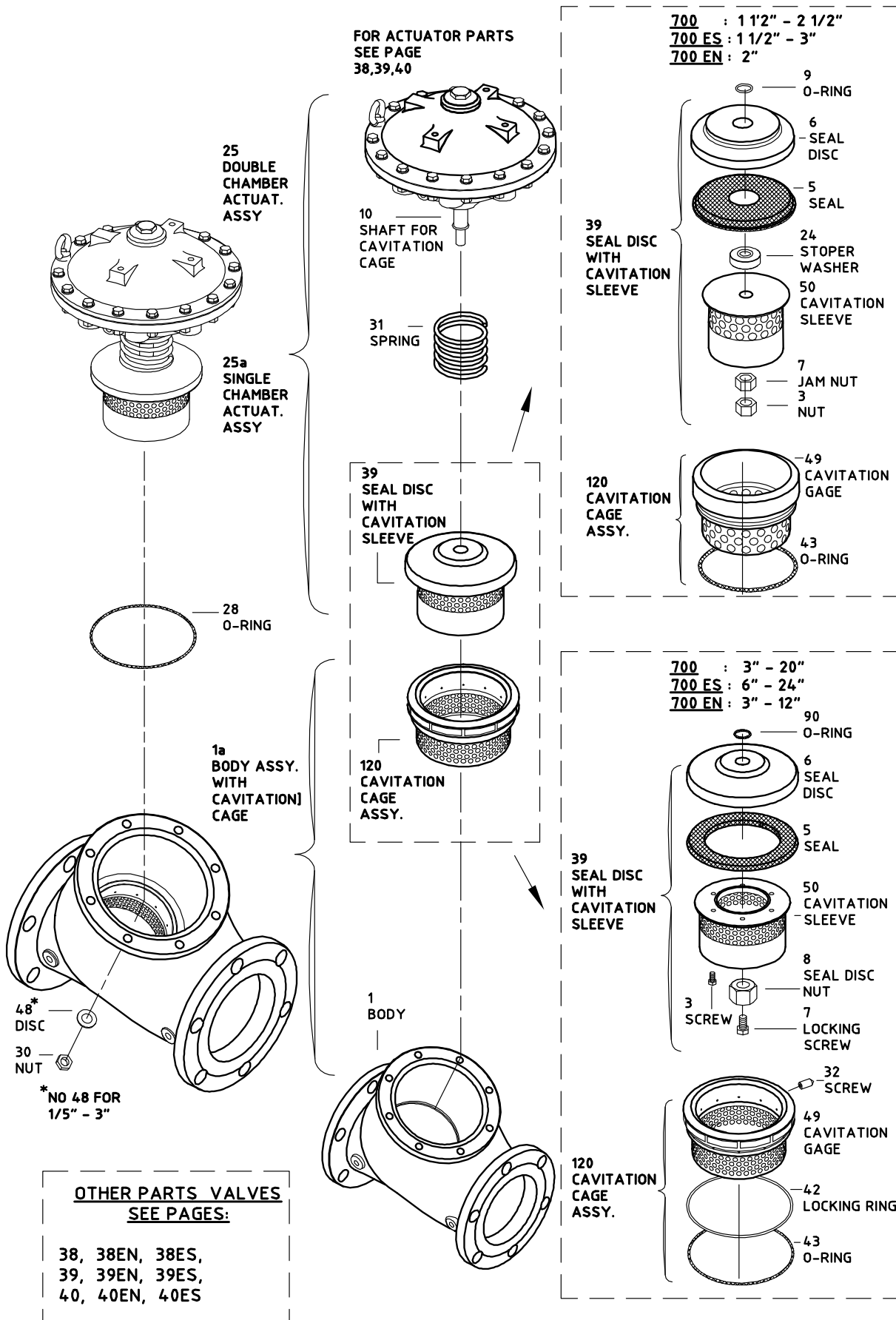






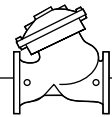
## Diaphragm Actuated Basic Control Valves with Cavitation Cage

Size 1 1/2"-24"



**OTHER PARTS VALVES SEE PAGES:**

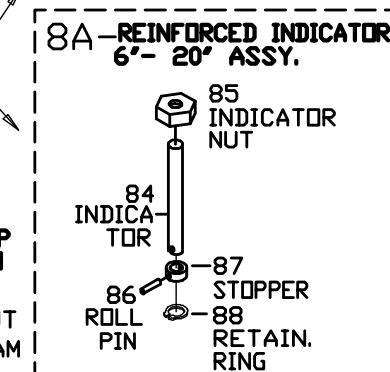
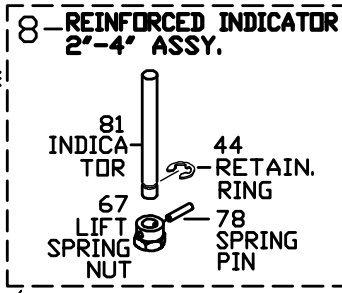
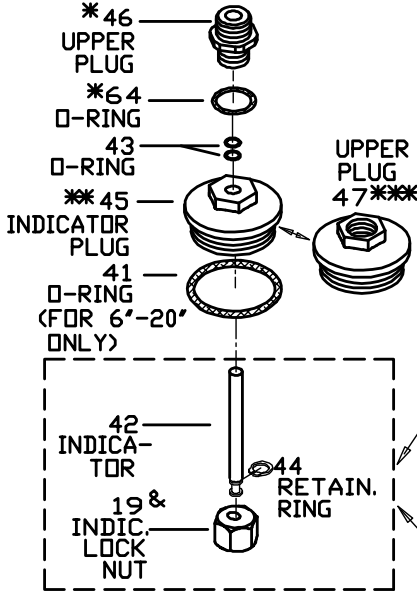
38, 38EN, 38ES,  
 39, 39EN, 39ES,  
 40, 40EN, 40ES



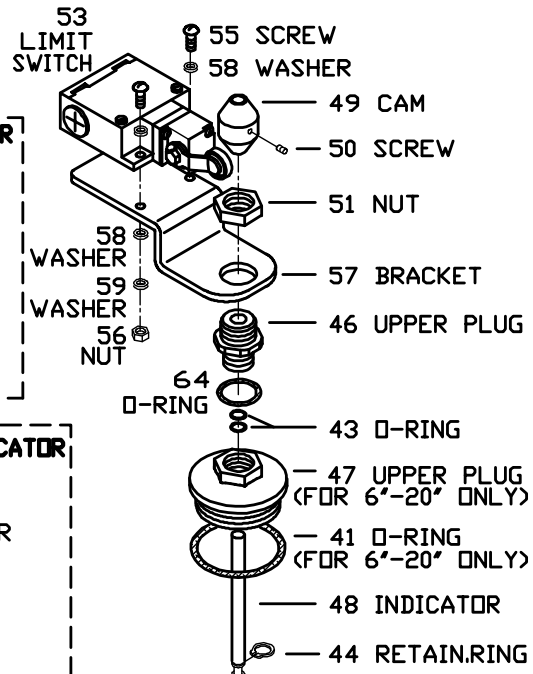
### Main Valves - Indicator Options

Size 1 1/2" - 20"

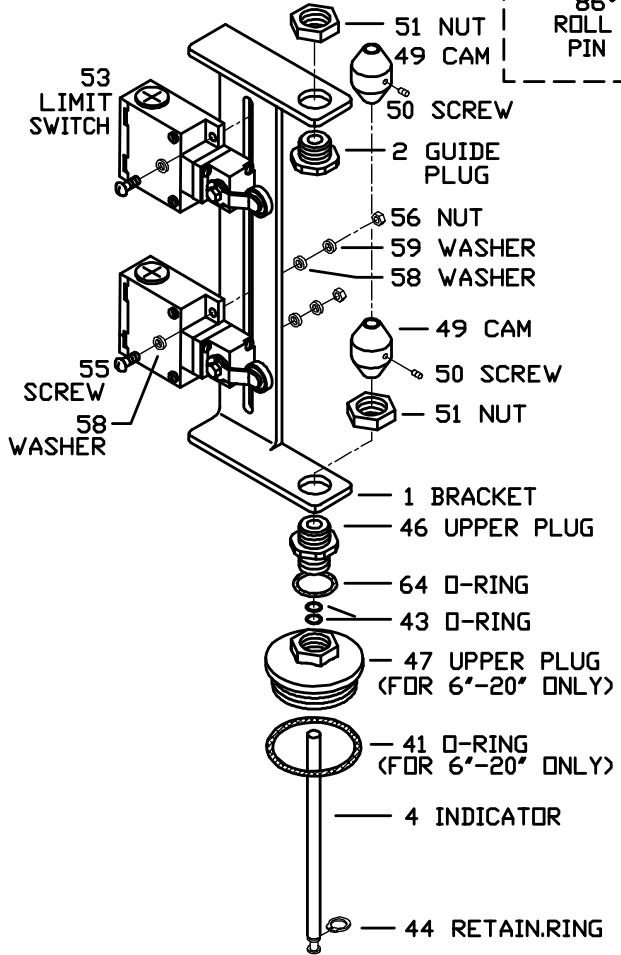
#### 5- VALVE POSITION INDICATOR ASSY.



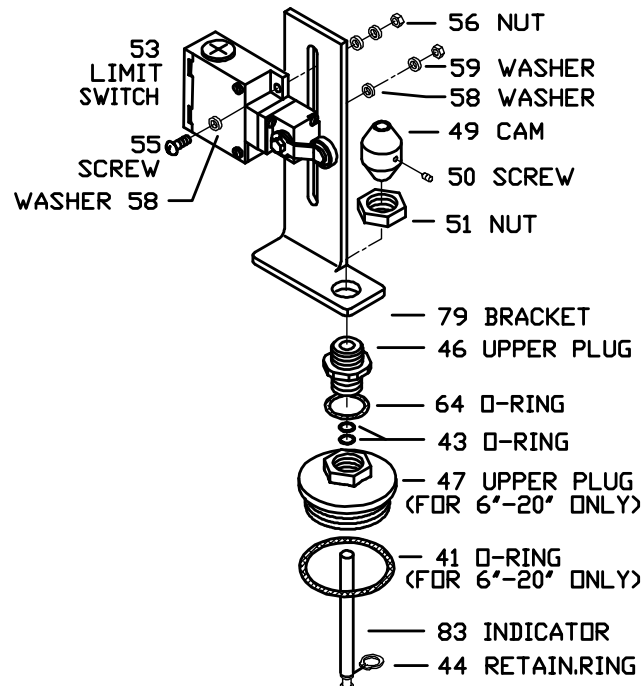
#### 14- ELECTRIC LIMIT SWITCH ASSY.



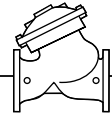
#### 21- INDICATOR ASSY. WITH TOP GUIDE AND LIMIT SWITCH



#### 13- ADJUSTABLE LIMIT SWITCH OPTION



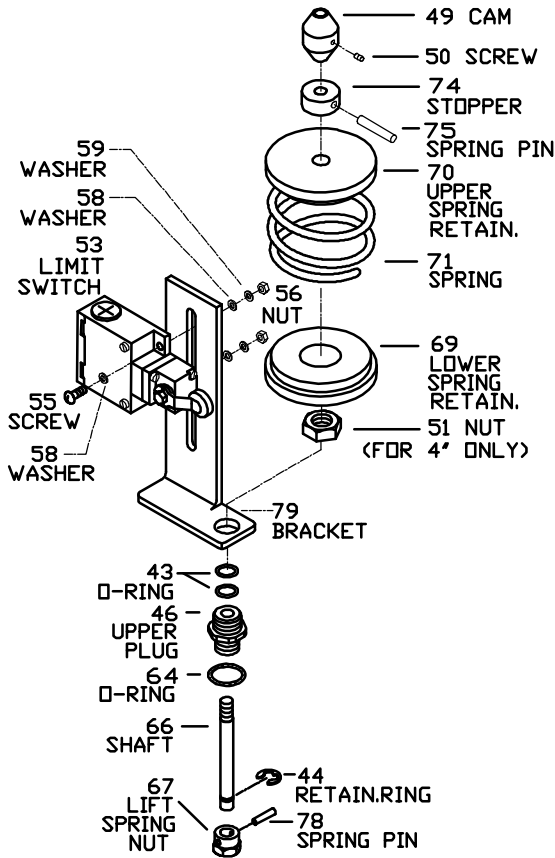
\* - FOR 2'- 4' AND 16'-20' ONLY  
 \*\* - FOR 6'- 12' ONLY  
 \*\*\* - FOR 16'- 20' ONLY  
 & - SEE PAGE 38-40



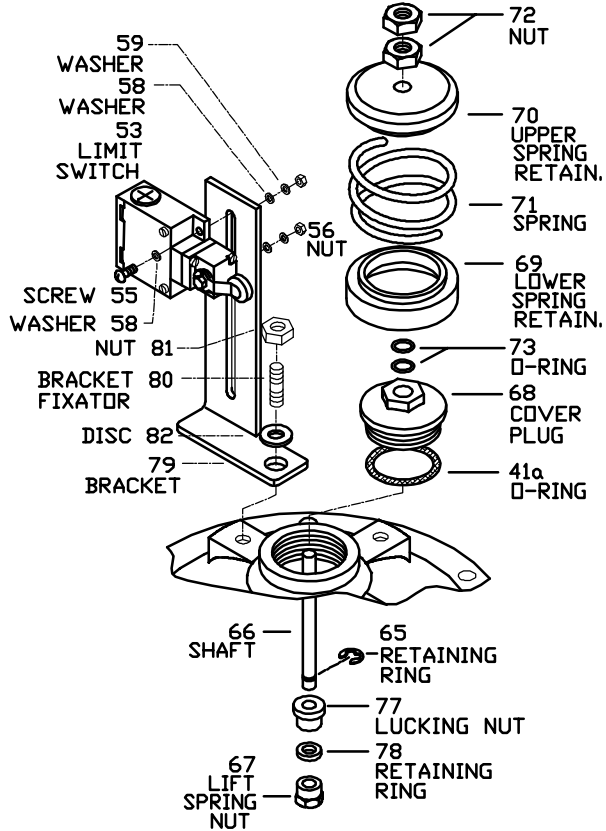
### Main Valves - Lift Spring Options

Size 1 1/2" - 20"

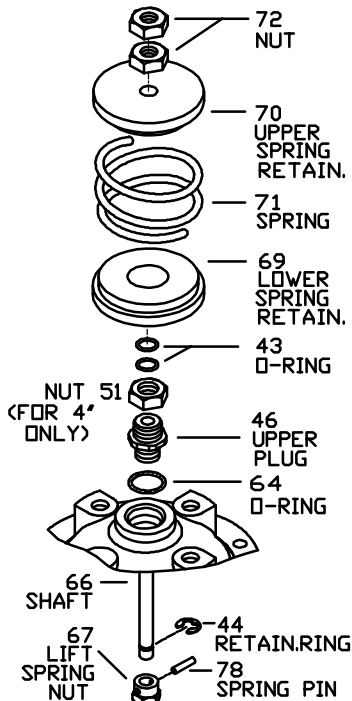
**20 - LIFTING SPRING AND LIMIT SWITCH ASSY.**  
(2' - 4')



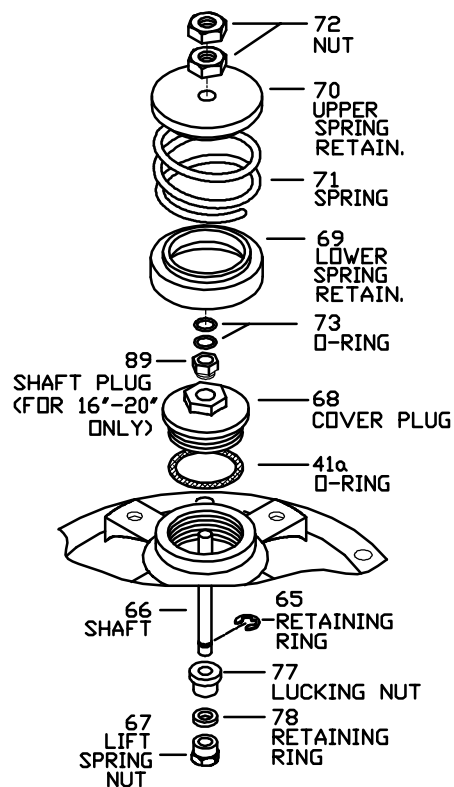
**20a - LIFTING SPRING AND LIMIT SWITCH ASSY.**  
(6' - 20')

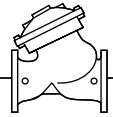


**12 - LIFTING SPRING ASSY.**  
(2' - 4')



**12a - LIFTING SPRING ASSY.**  
(6' - 20')

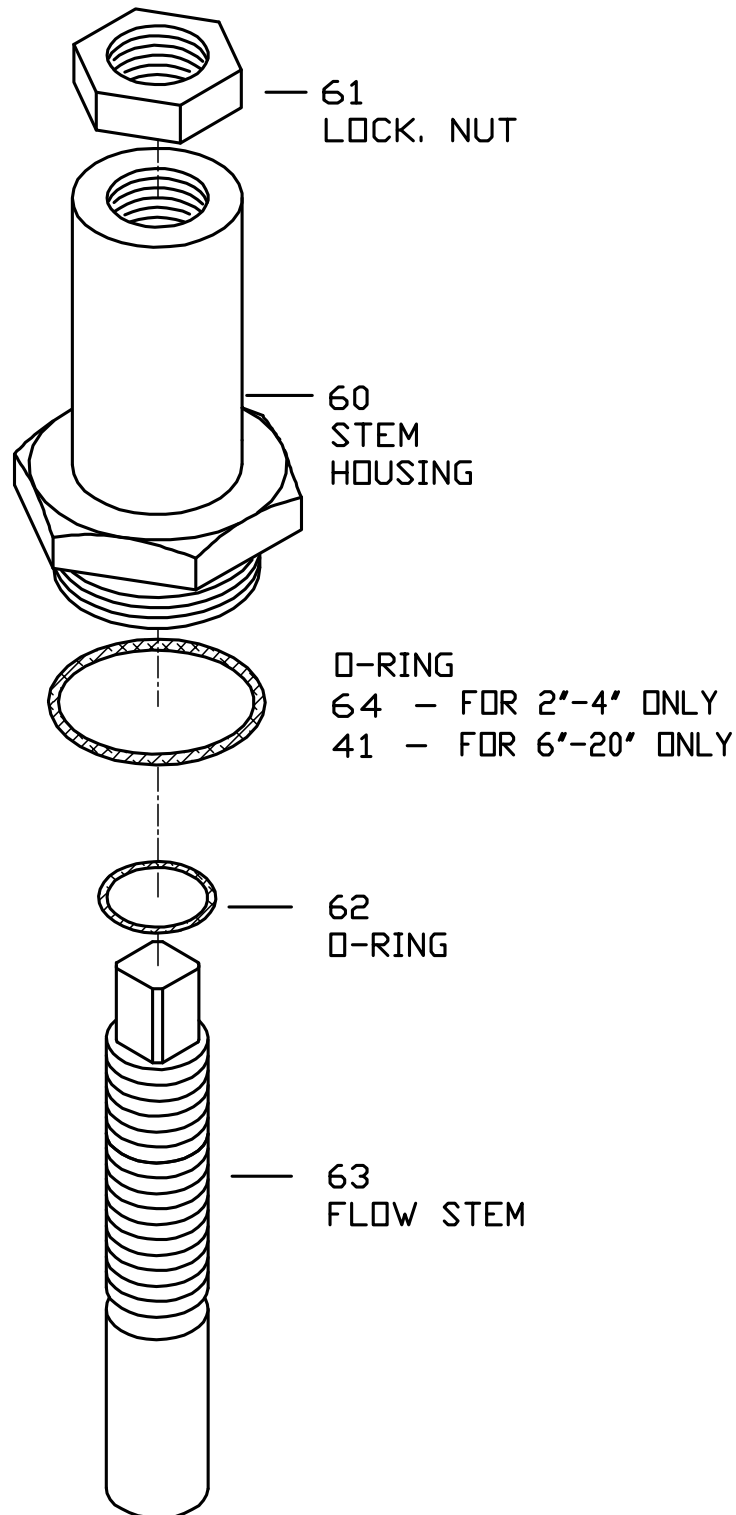


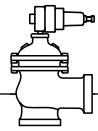


## Main Valves – Flow Stem Options

Size 1 1/2" - 20"

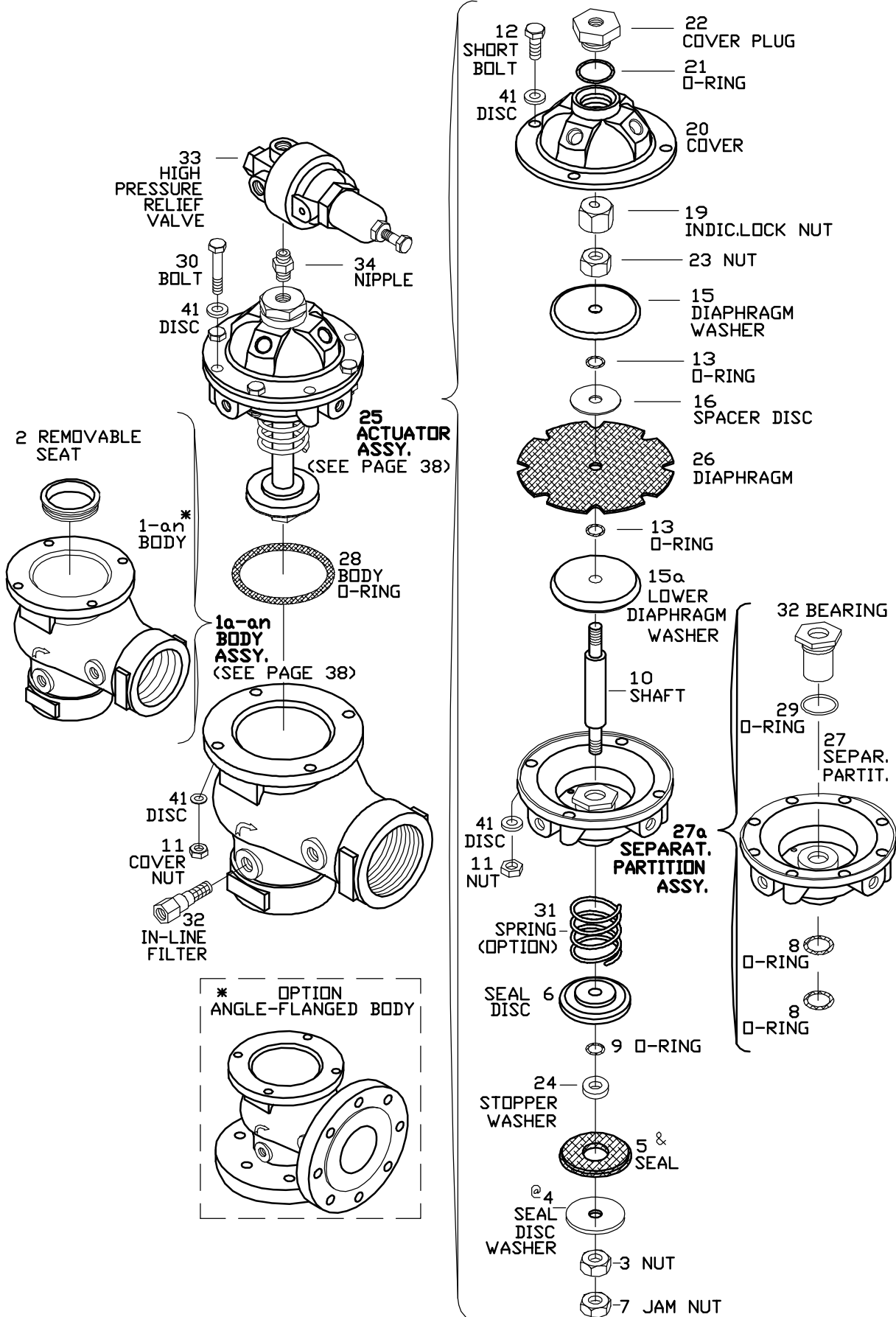
### 15 – FLOW STEM ASSY.

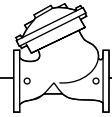




## Pressure Relief Valves – Quick Type

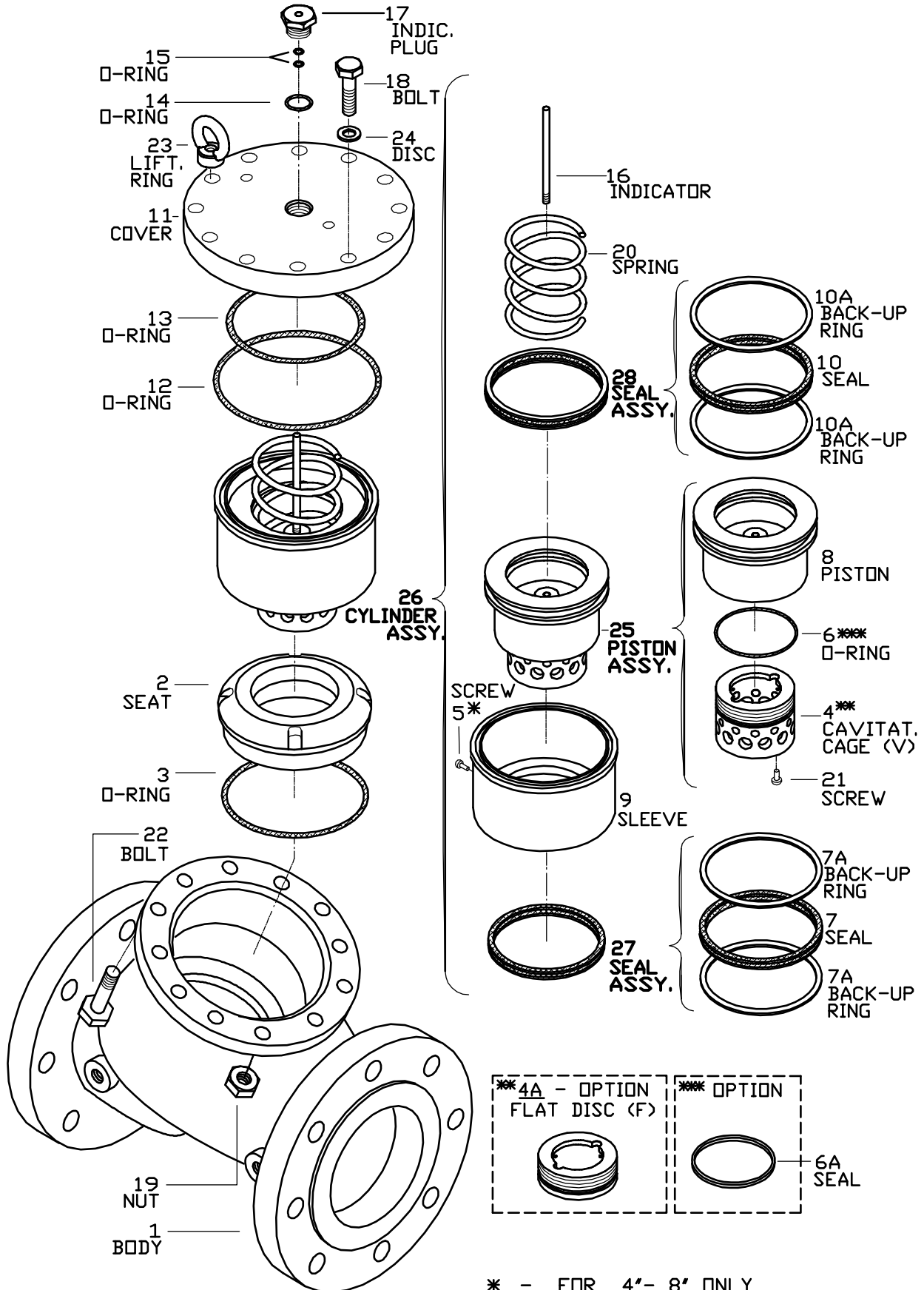
Size 2"

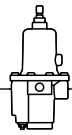




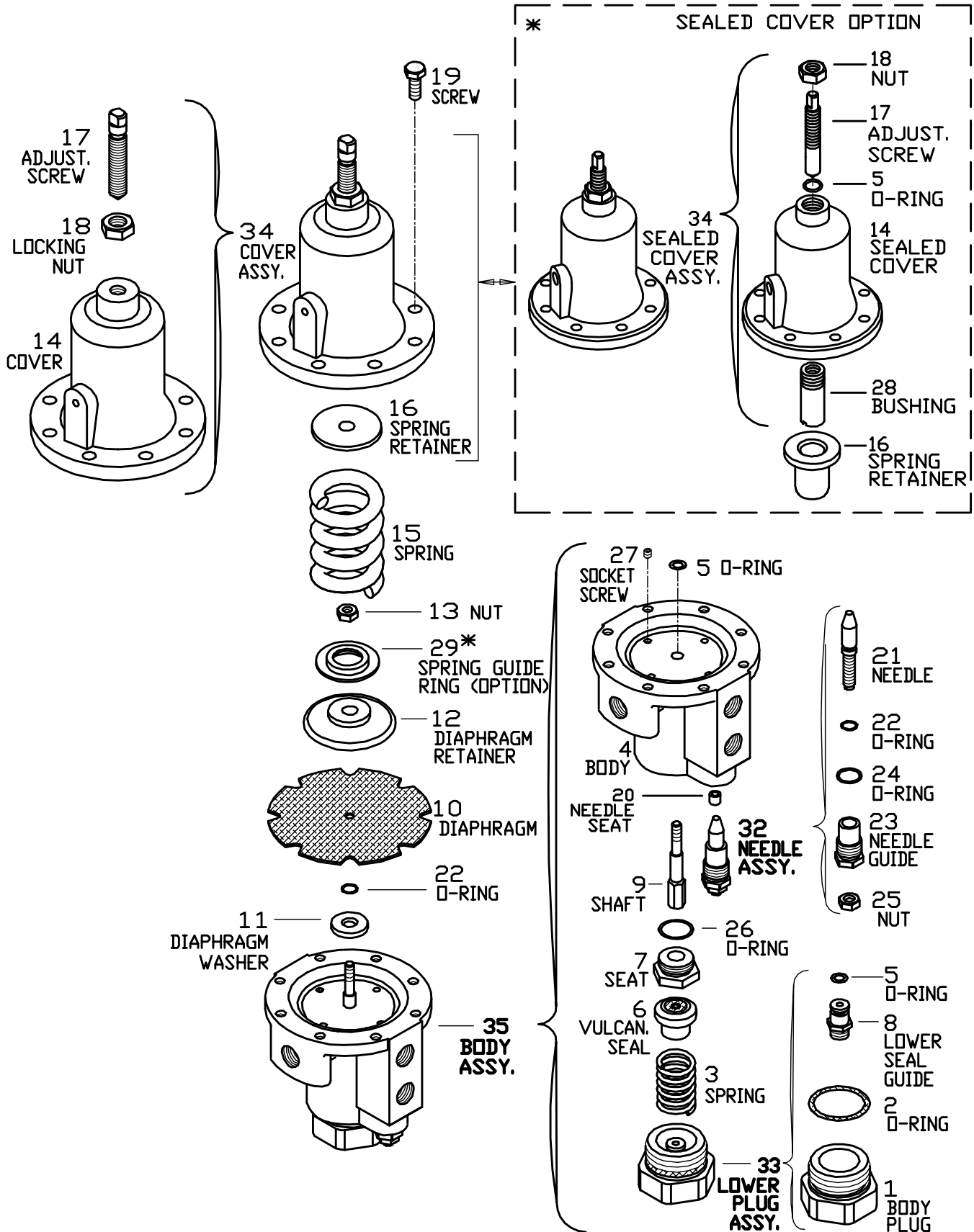
## Piston Actuated High Pressure - Basic Control Valve

Size 3", 4", 6" & 8"

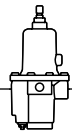




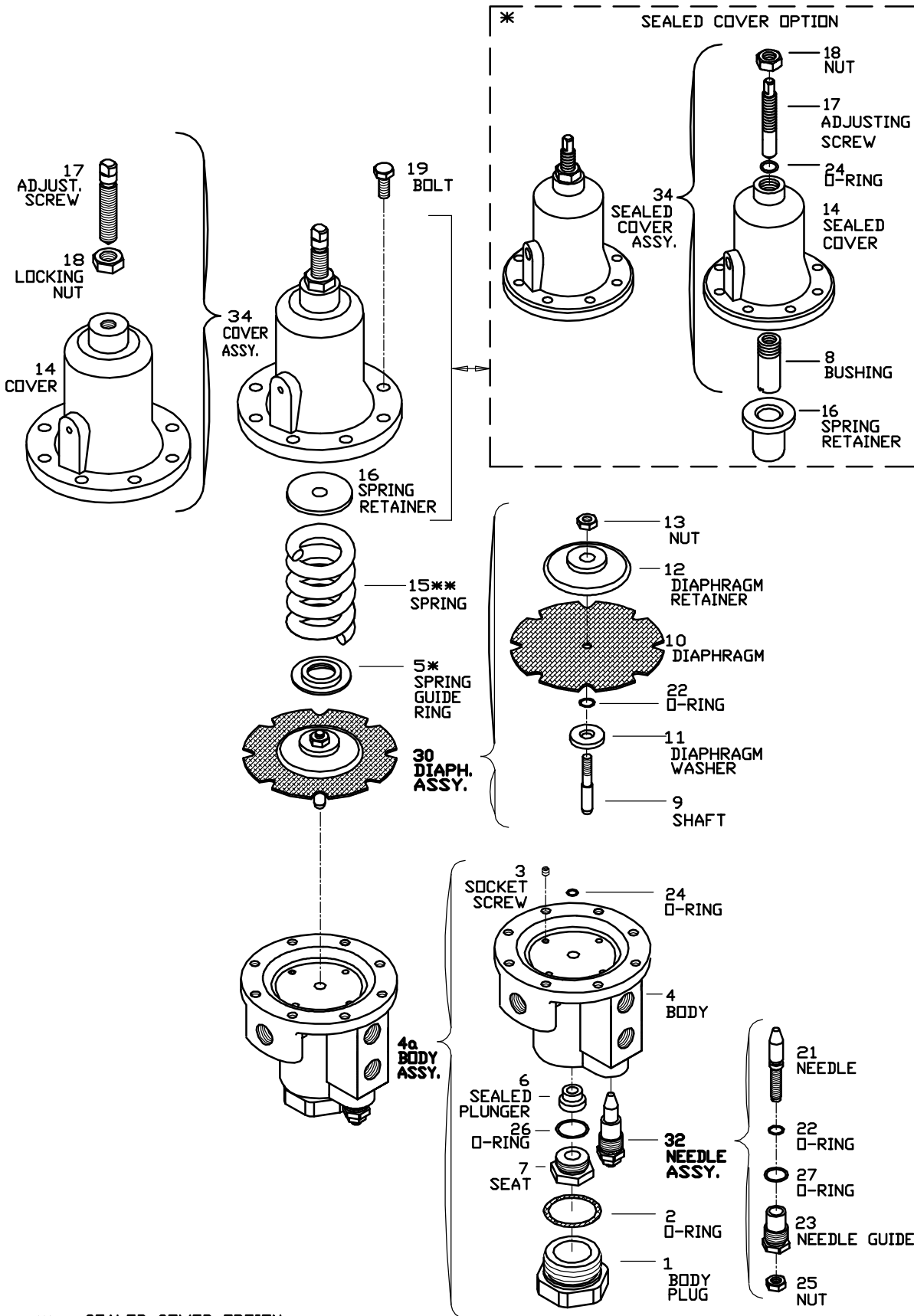
## #X 3-way Positioning Pilot Valve



\* - SEALED COVER OPTION

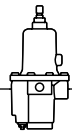


## #3 2-way Pressure Sustaining Pilot Valve

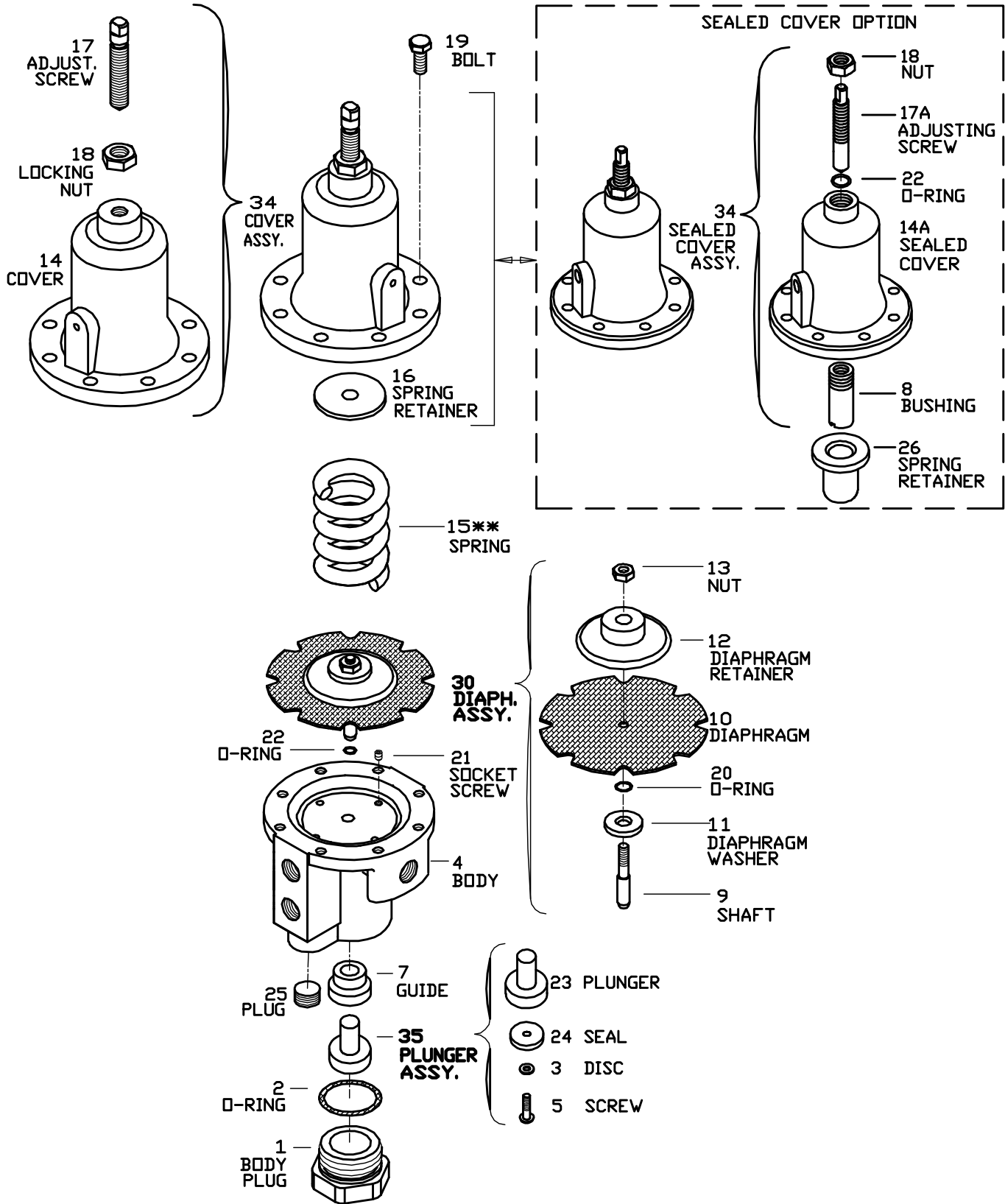


\* SEALED COVER OPTION  
 \*\* - DIFFERENT SPRINGS

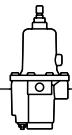




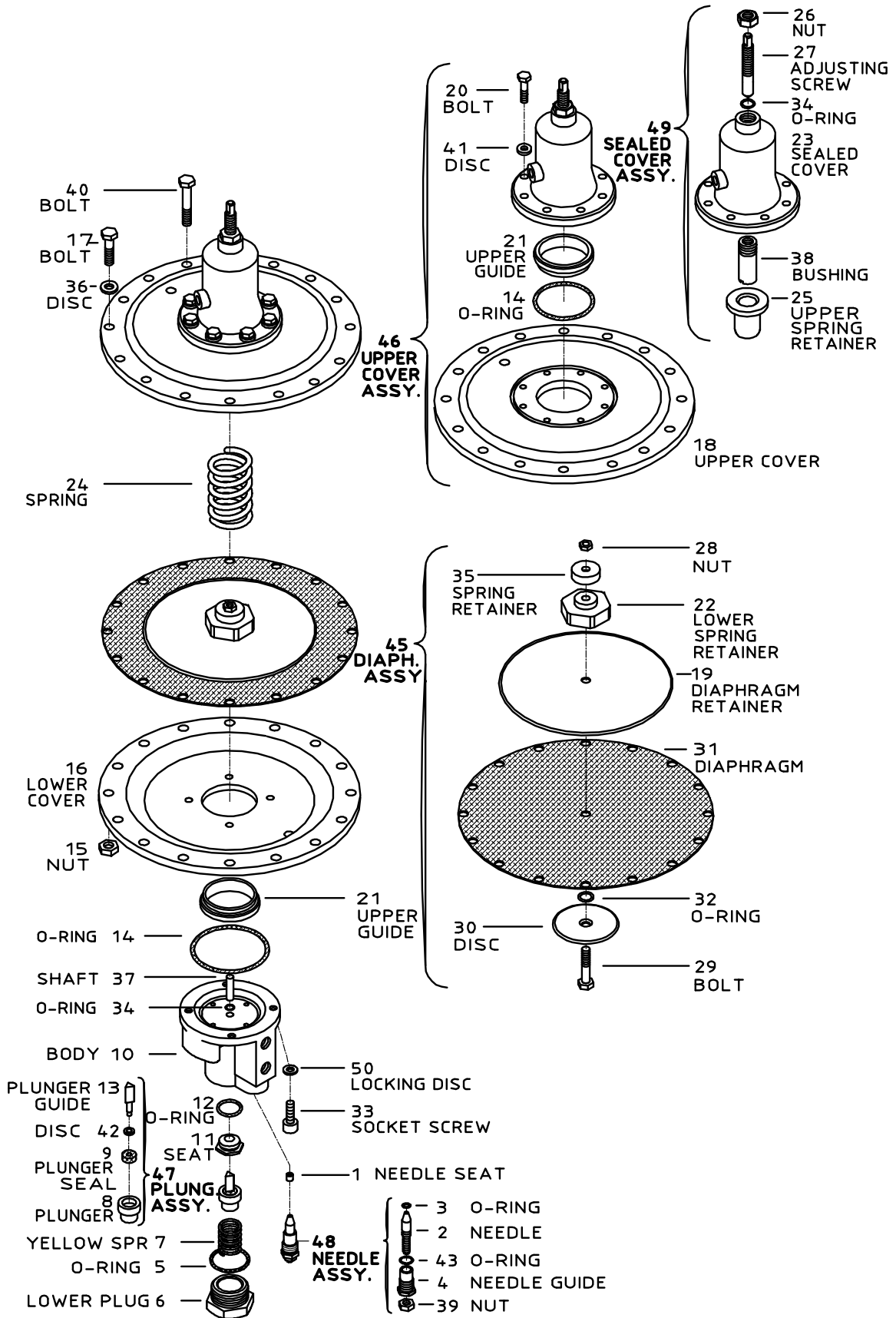
## #3Q 2-way Quick Relief Pilot Valve

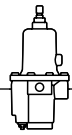


\* - DIFFERENT SPRINGS

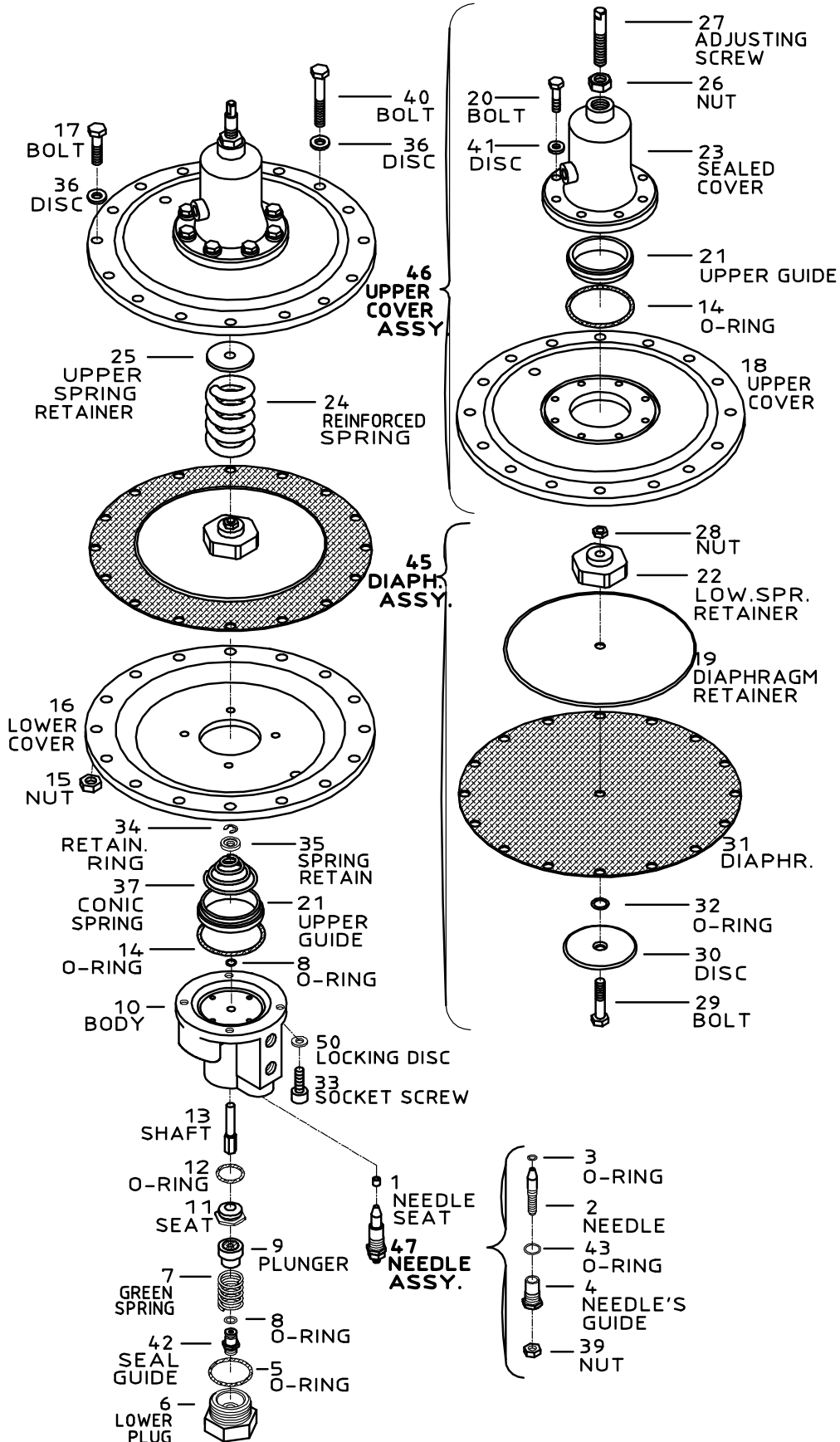


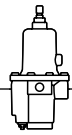
## #7 2-way Flow Pilot Valve



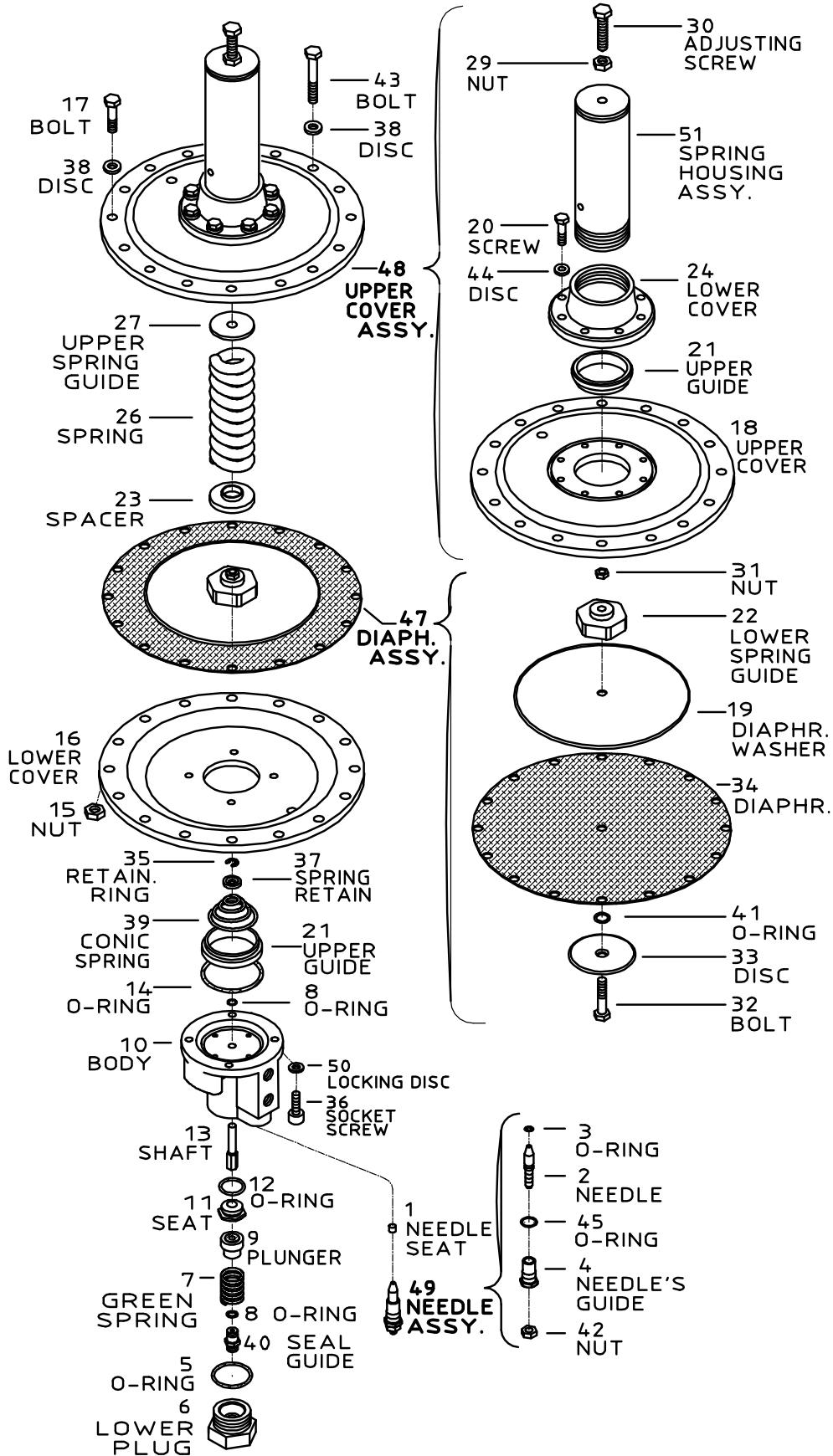


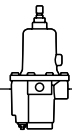
## #8-16 3-way Altitude Pilot Valve (Maximum Setting 16 Meters)



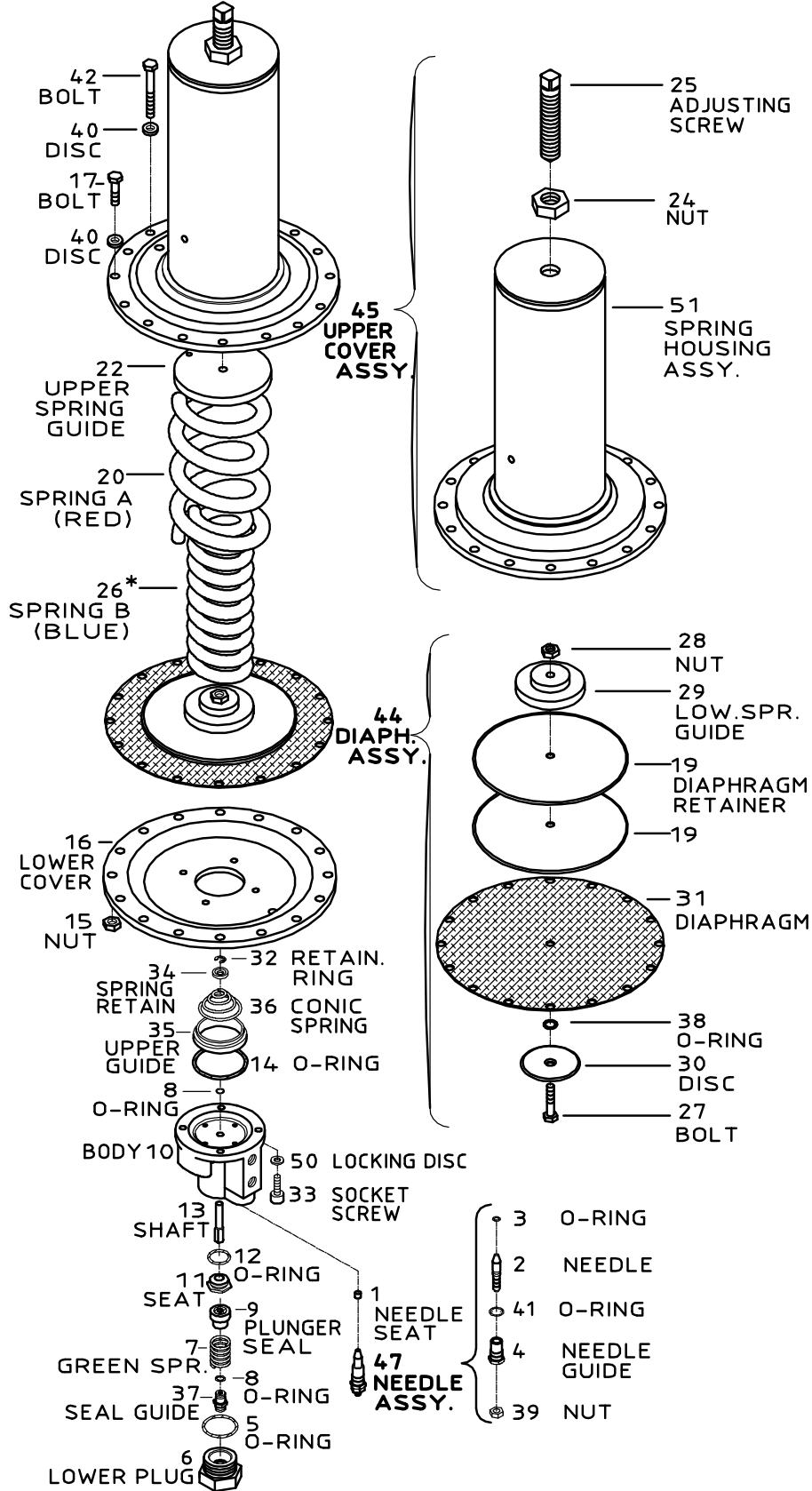


## #8-25 3-way Altitude Pilot Valve (Maximum Setting 25 Meters)

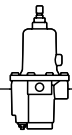




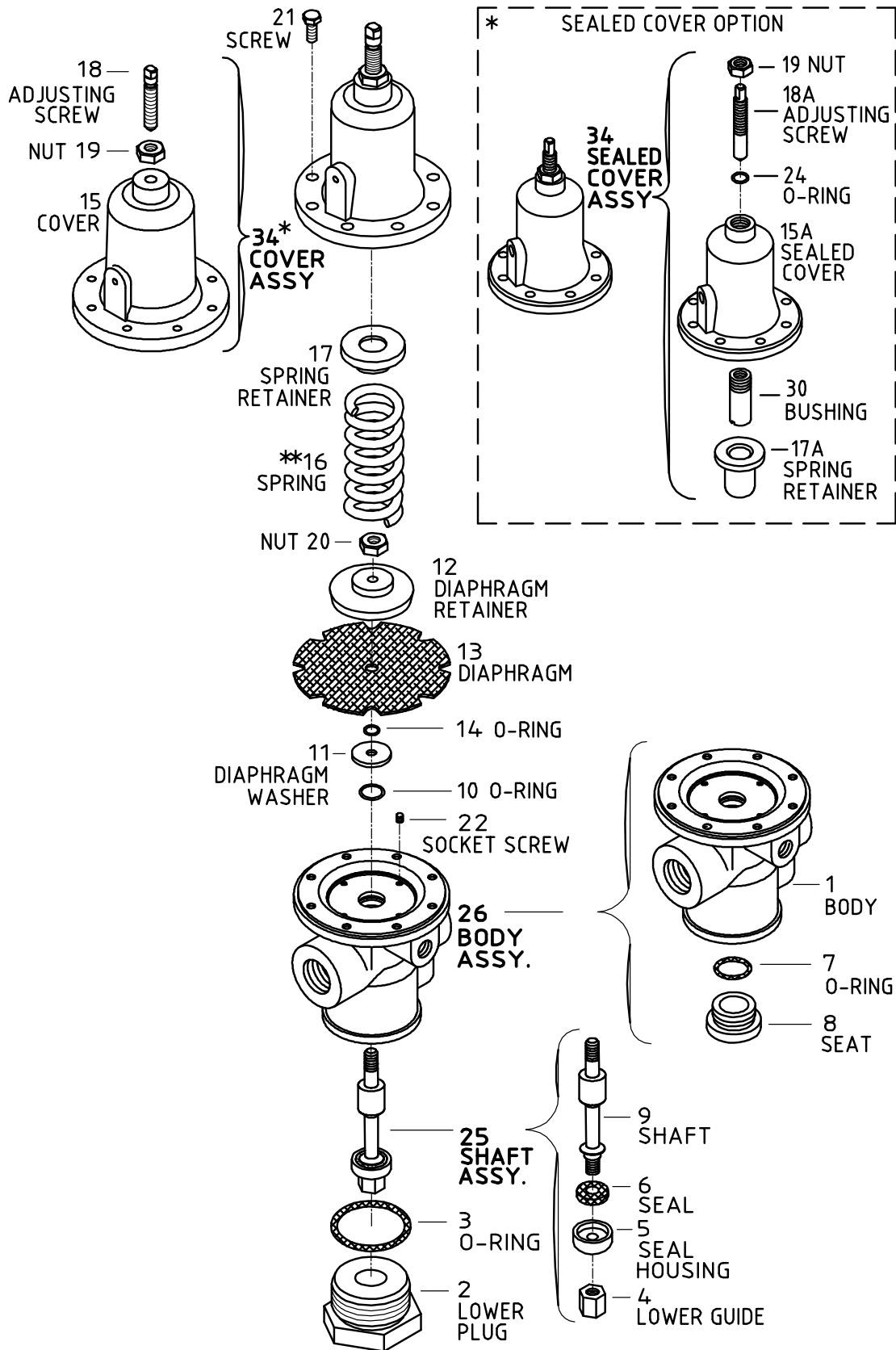
## #8-40 & #8-80 3-way Altitude Pilot Valve (Maximum Setting 40 or 80 Meters)



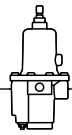
\* - FOR #8-80 ONLY



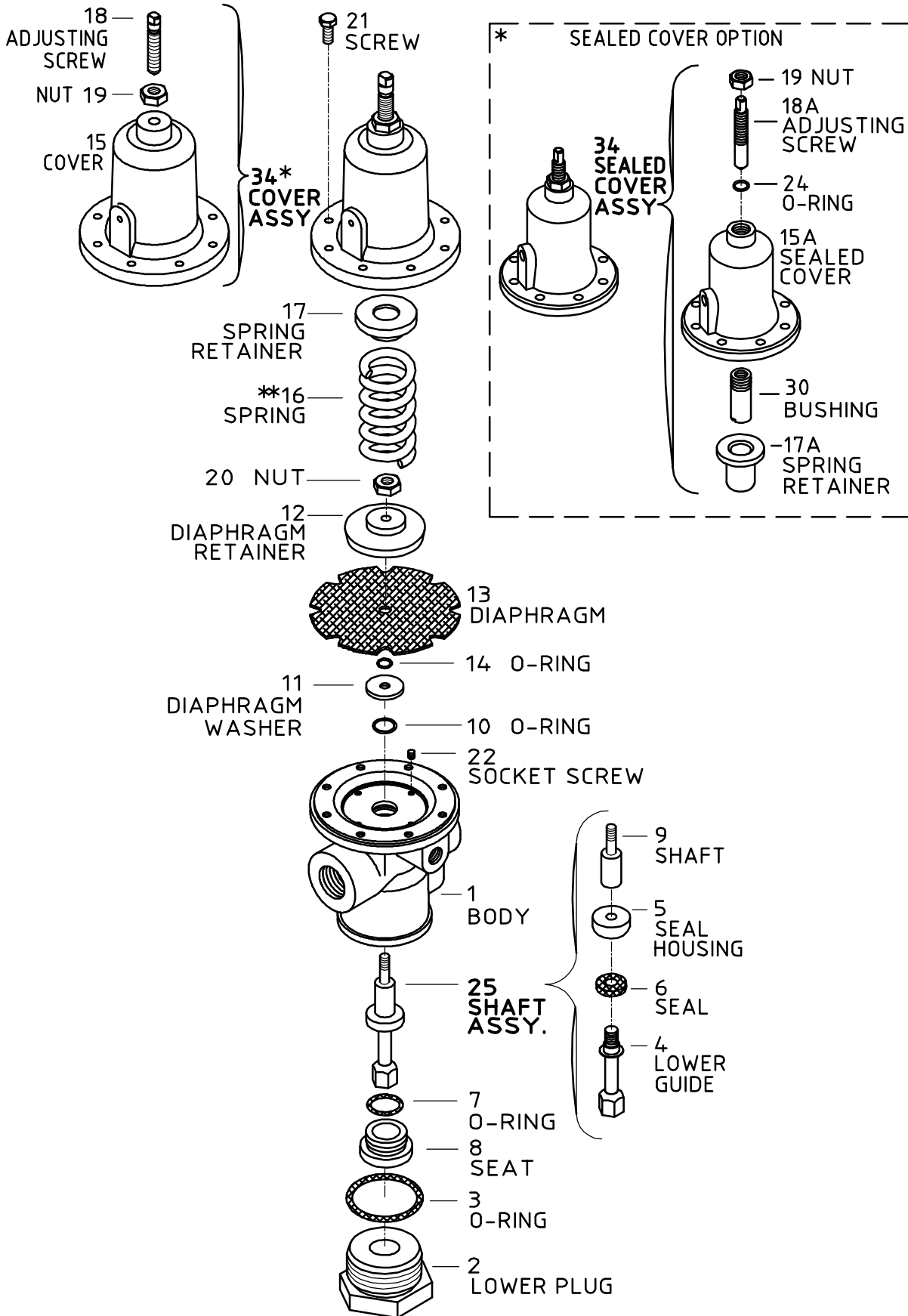
## #2HC 2-way Way High Capacity Pressure Reducing Pilot Valve



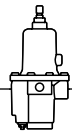
\*\* RANGE OF SPRINGS



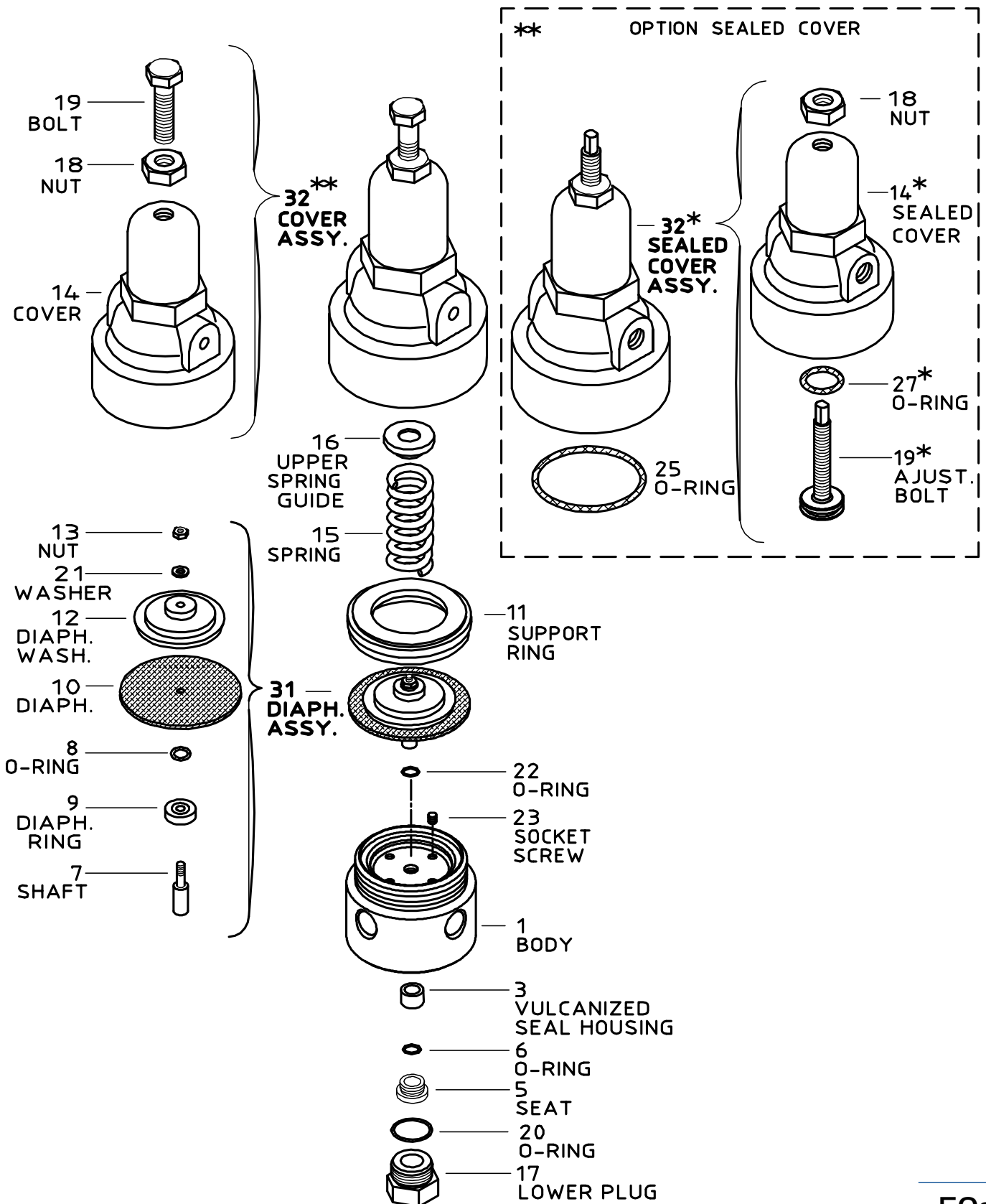
## #3HC 2-way Way High Capacity Pressure Reducing Pilot Valve



\*\* RANGE OF SPRINGS

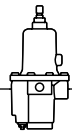


## #3PB 2-way Pressure Sustaining Pilot Valve

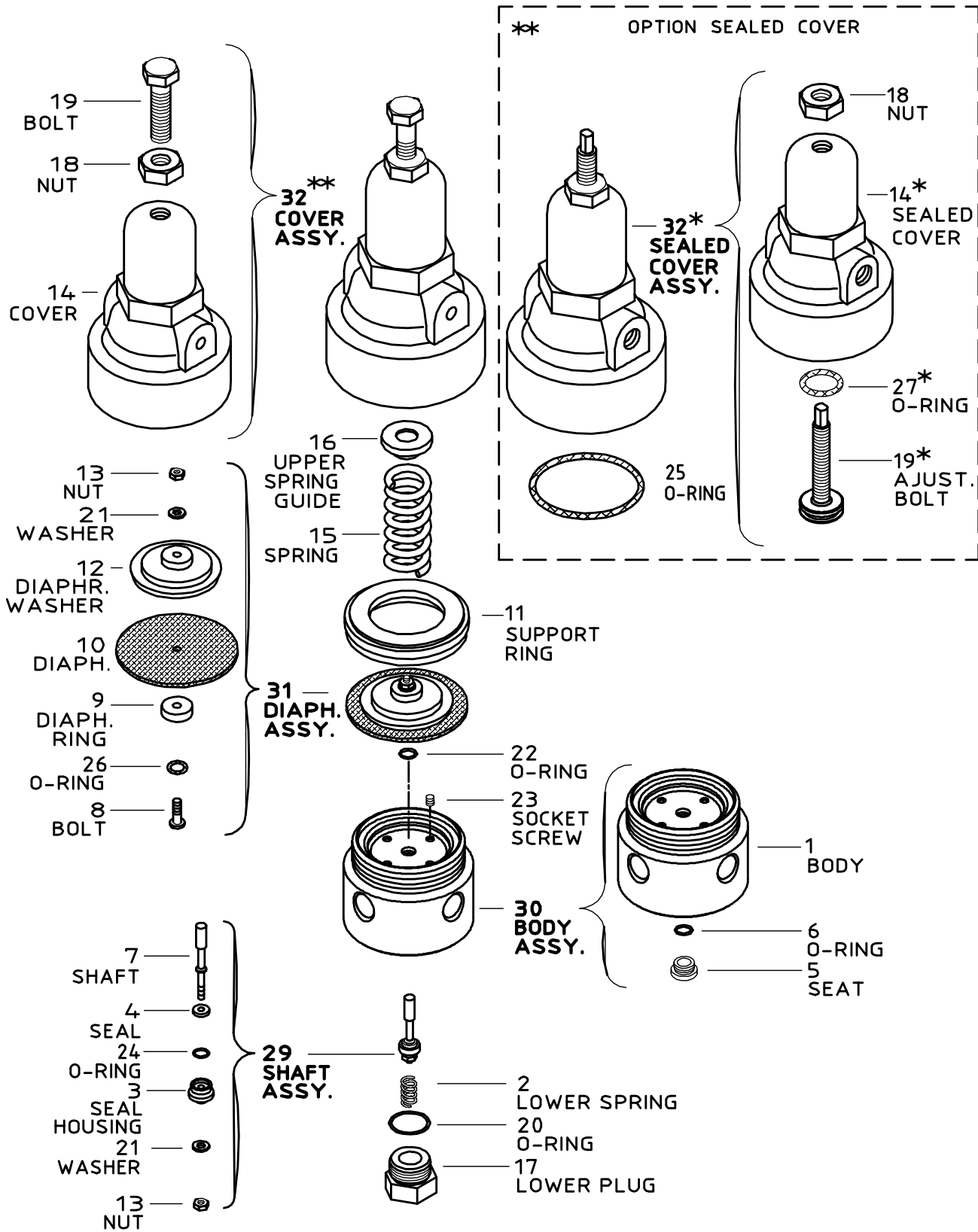


\* - FOR SEALED COVER ONLY

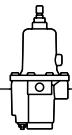




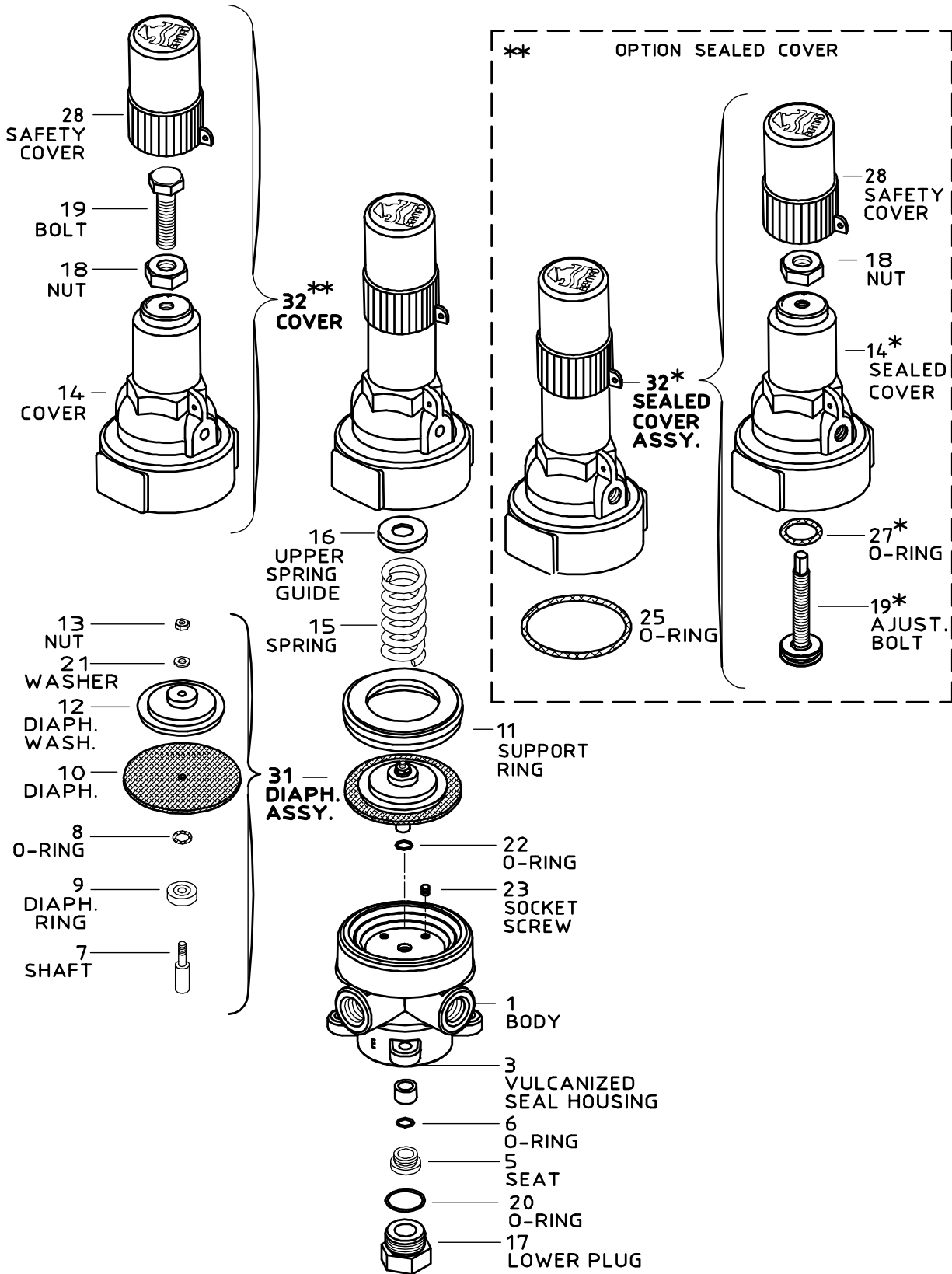
## #2PB 2-way Pressure Reducing Pilot Valve



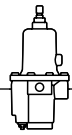
\* - FOR SEALED COVER ONLY



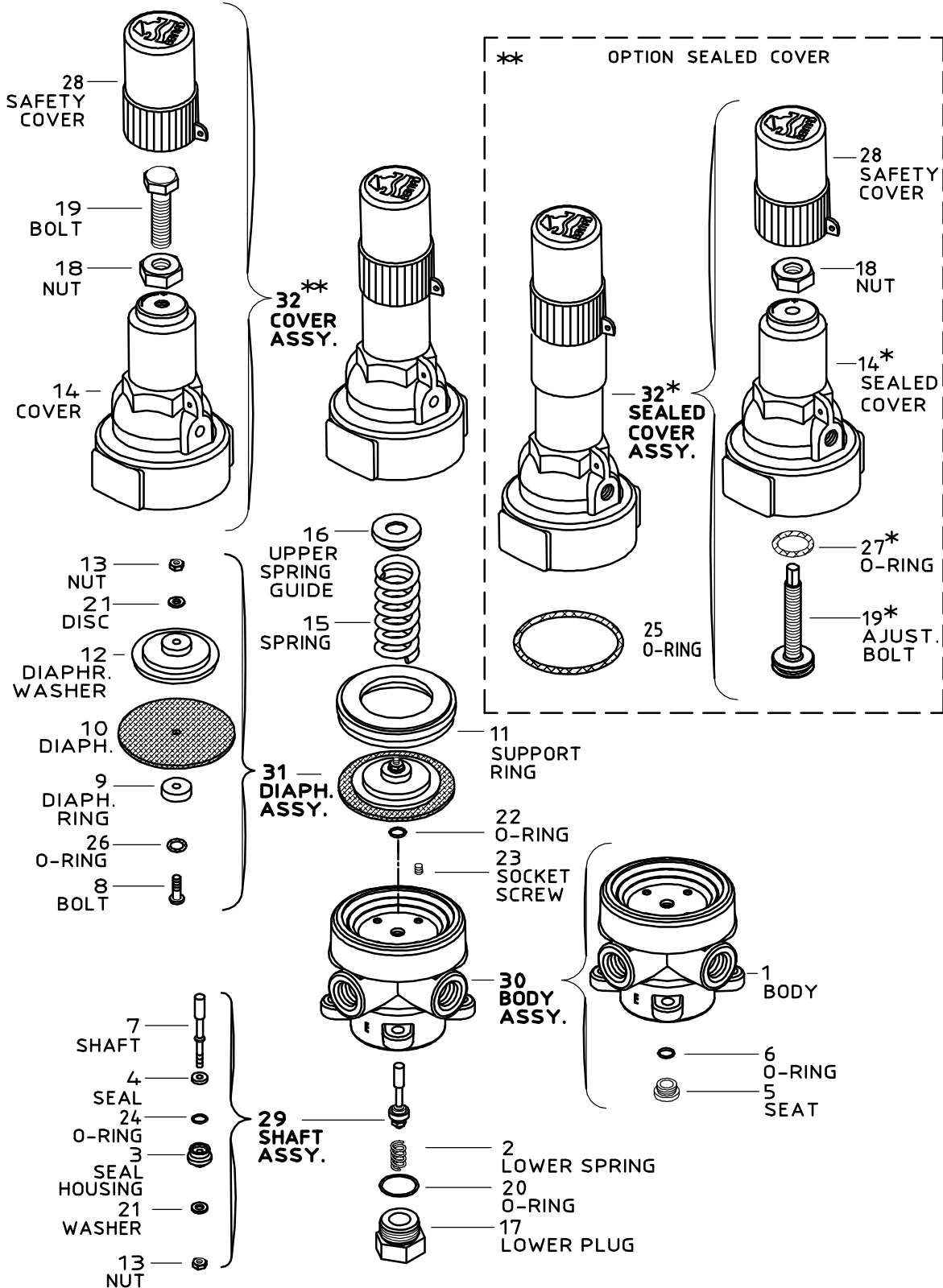
## #3PB 2-way Stainless Steel Pressure Sustaining Pilot Valve



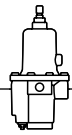
\* - FOR SEALED COVER ONLY



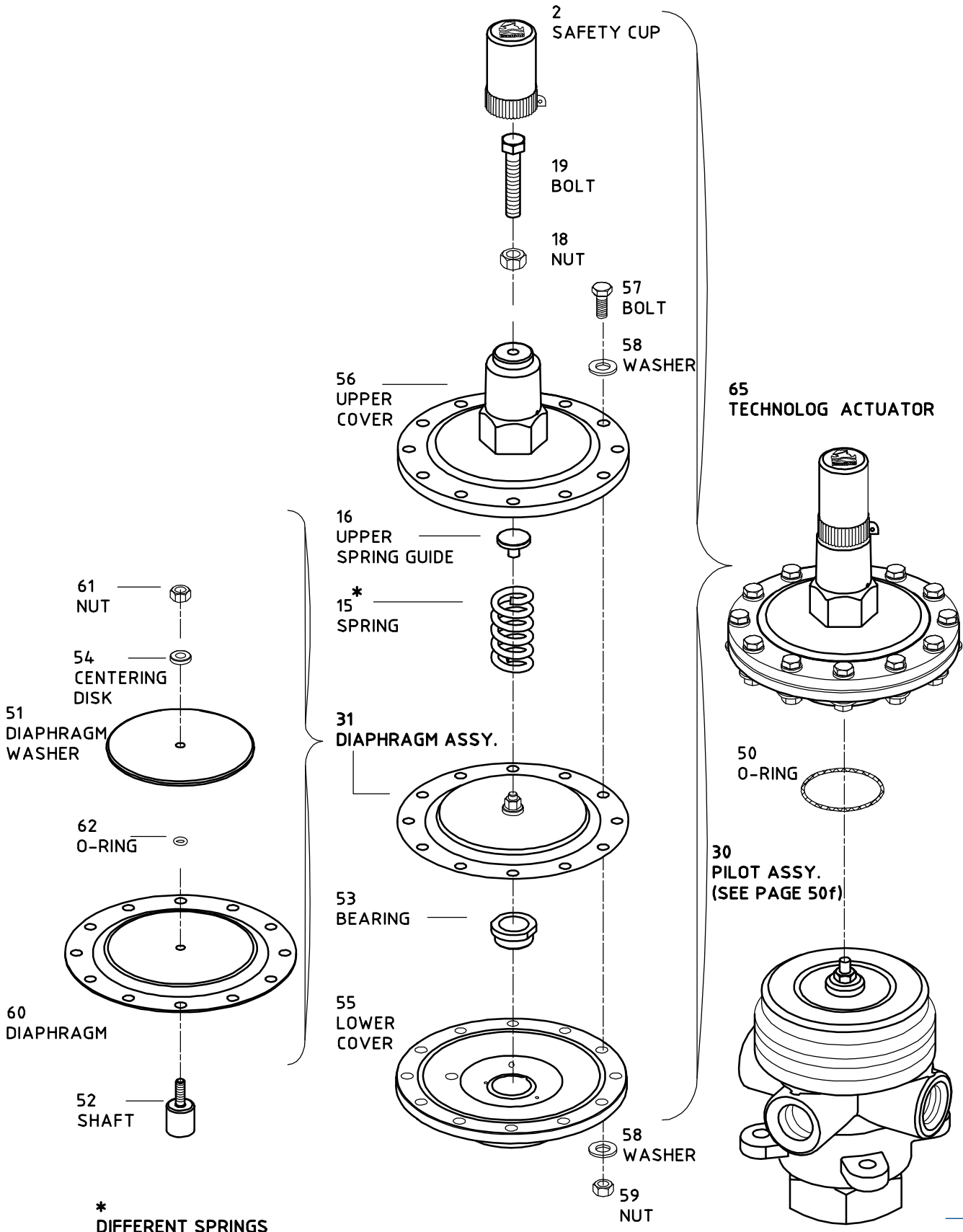
## #2PB 2-way Stainless Steel Pressure Reducing Pilot Valve



\* - FOR SEALED COVER ONLY

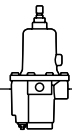


## #2PB - 4T Pressure Reducing Pilot Valve with Technolog Actuator





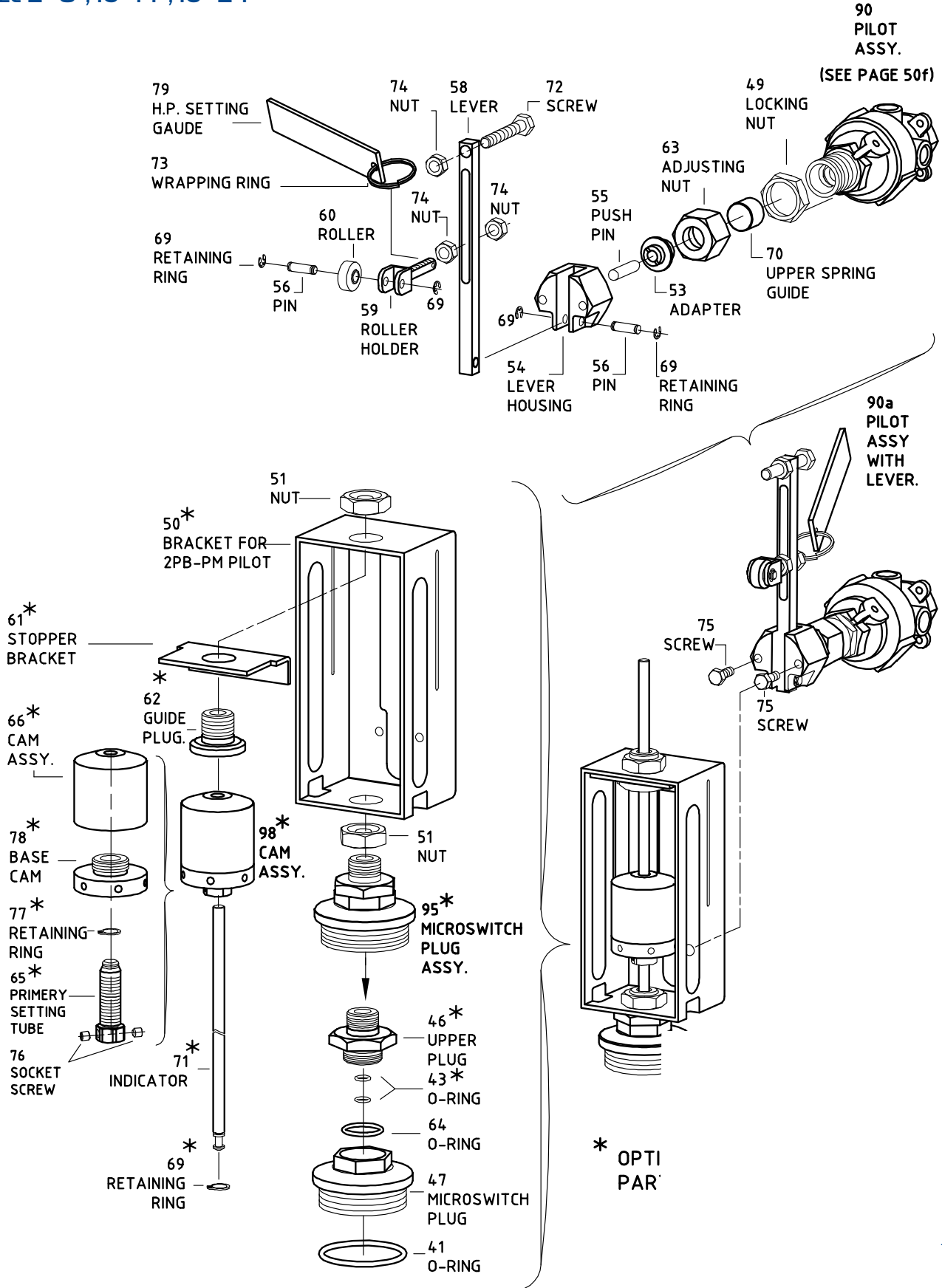
# BERMAD WW Spare Parts



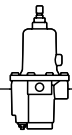
## Pilots

### #2PB-PM Pressure Management Pilot Assembly

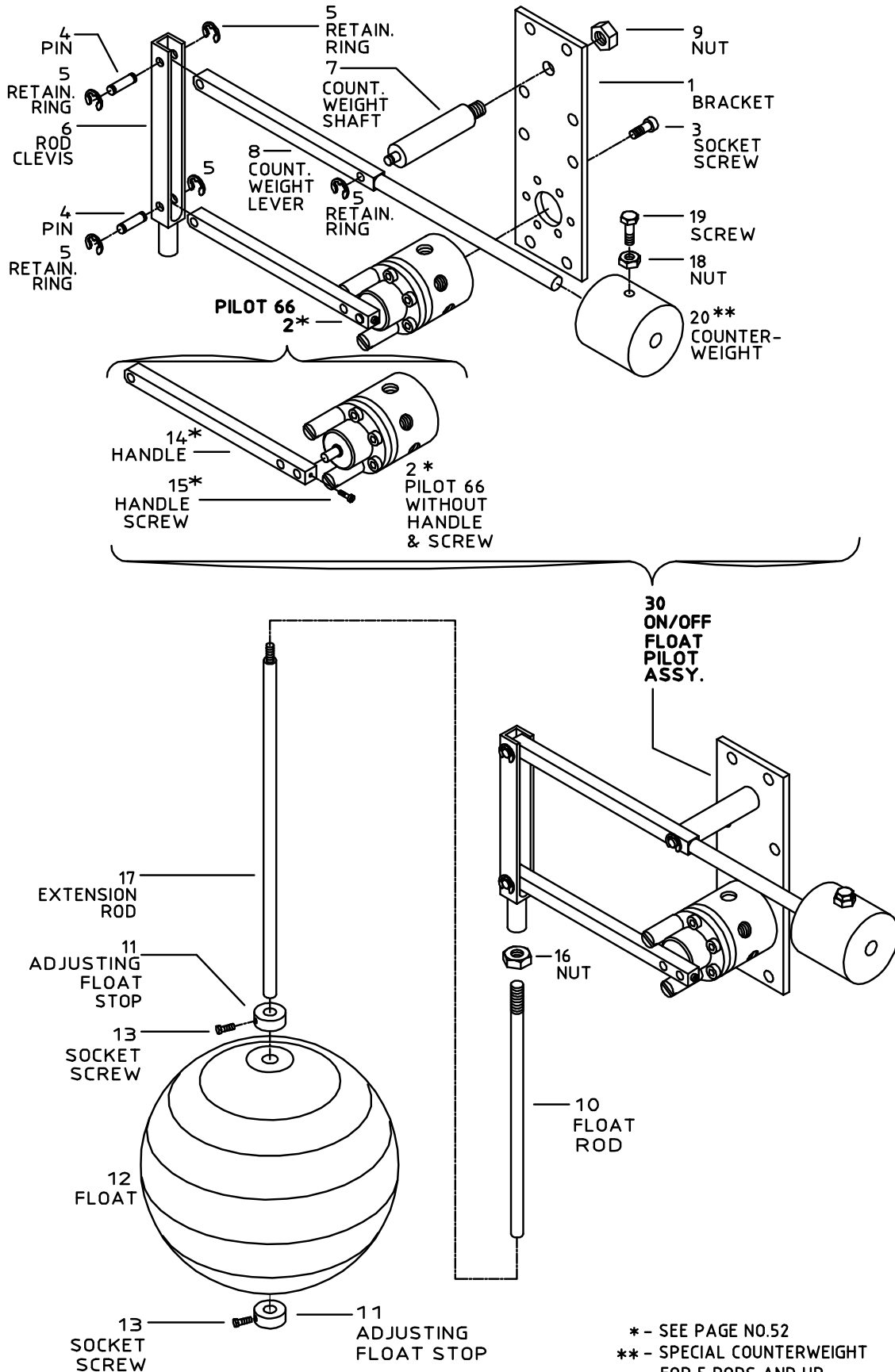
Size 2"-8", 10"-14", 16"-24"

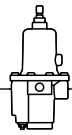


50pm

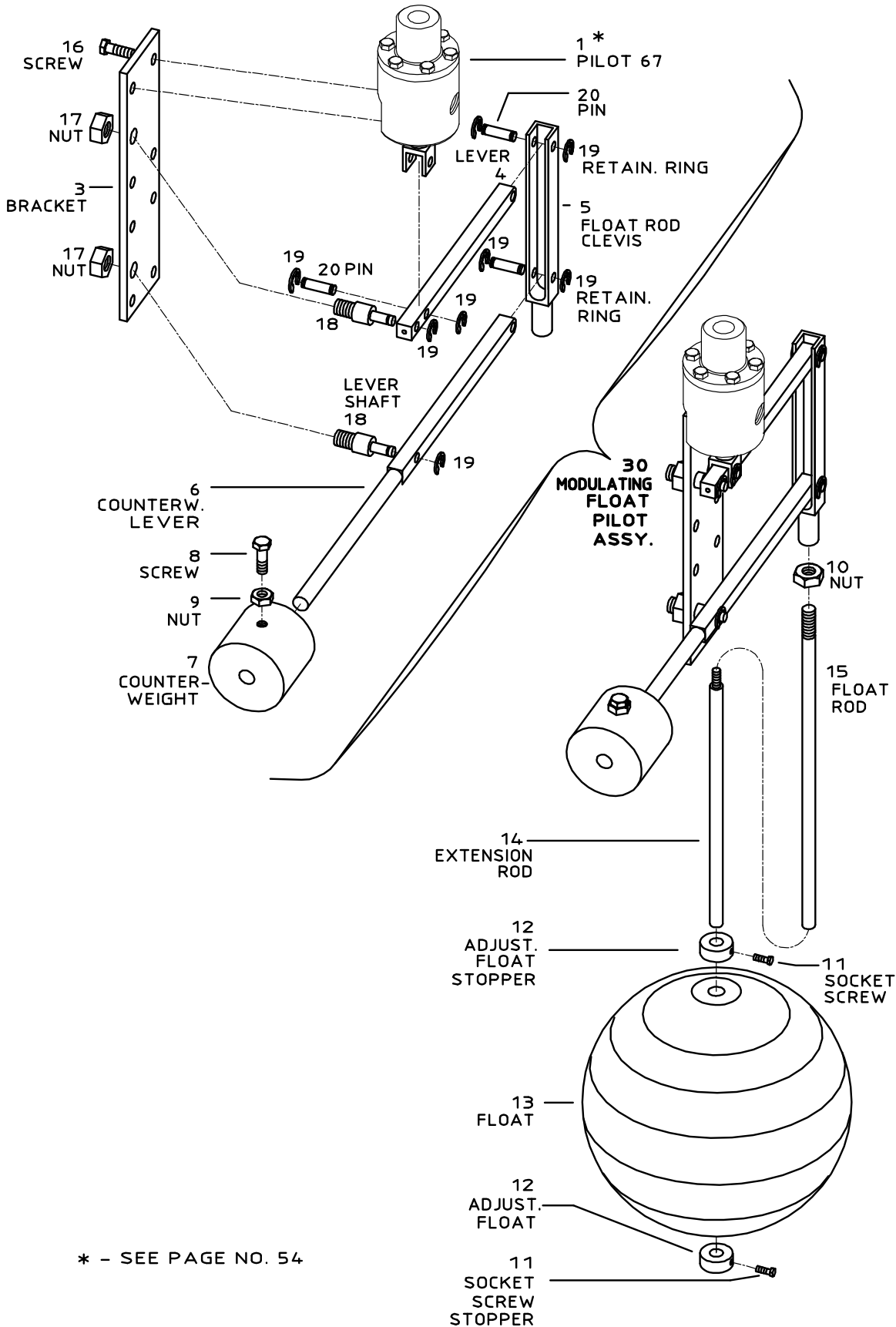


## #66 4-way Bi-Level Float Pilot Valve (with Float Assembly)

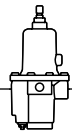




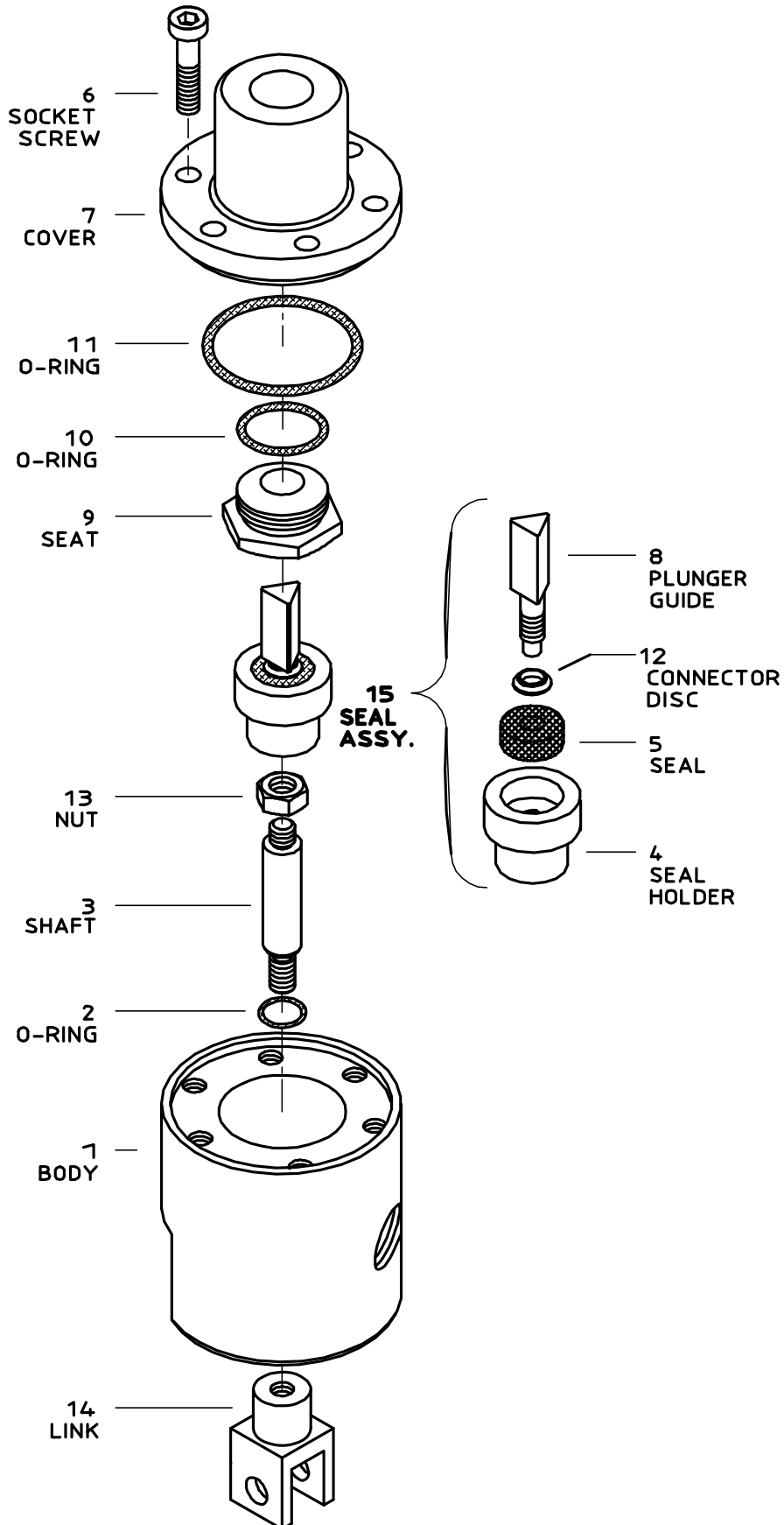
## #67 2-way Modulating Float Pilot Valve (with Float Assembly)



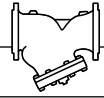
\* - SEE PAGE NO. 54



## #67 2-way Modulating Float Pilot Valve (Pilot Valve Only)

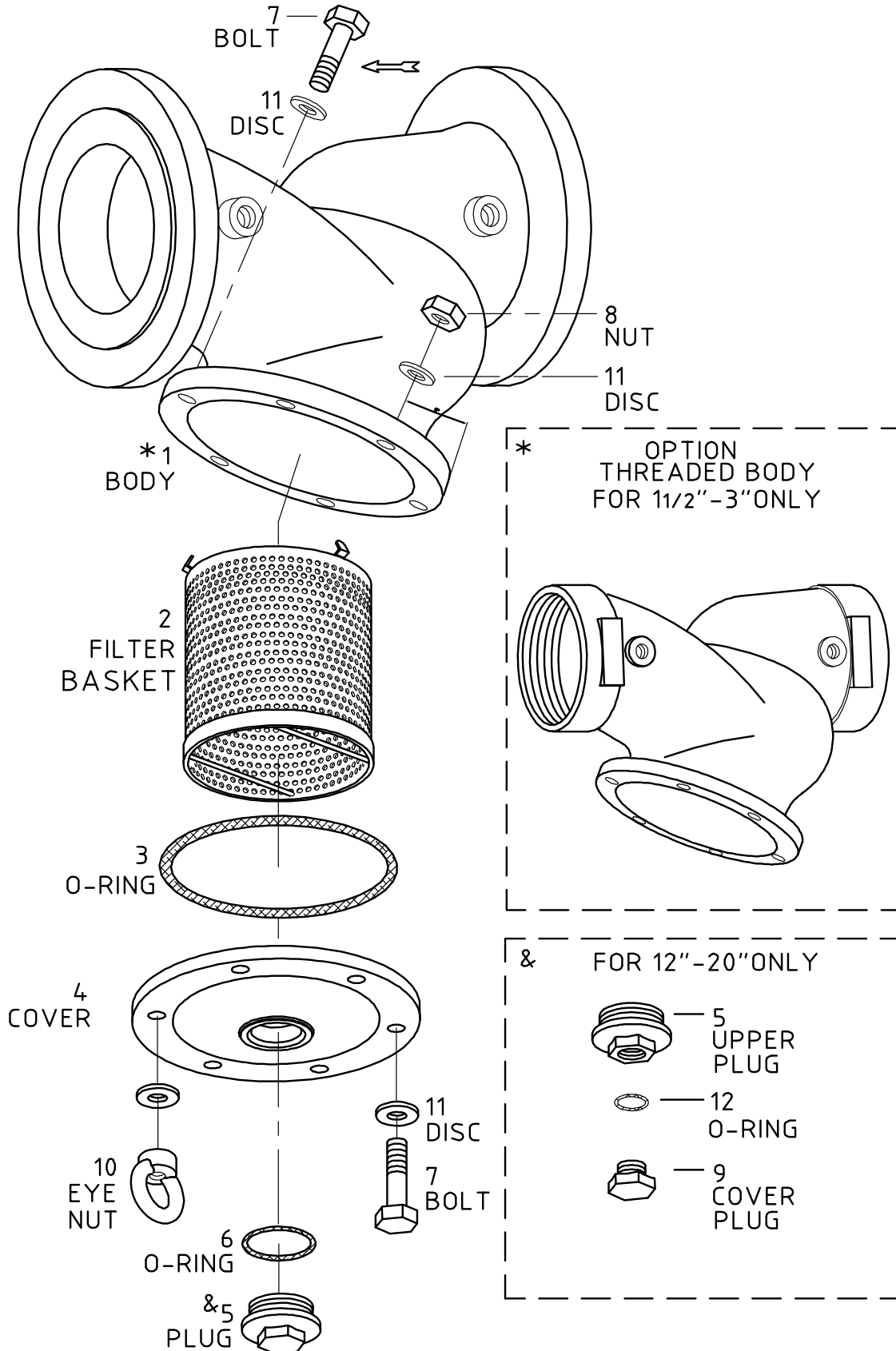


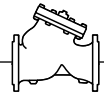




## Strainers

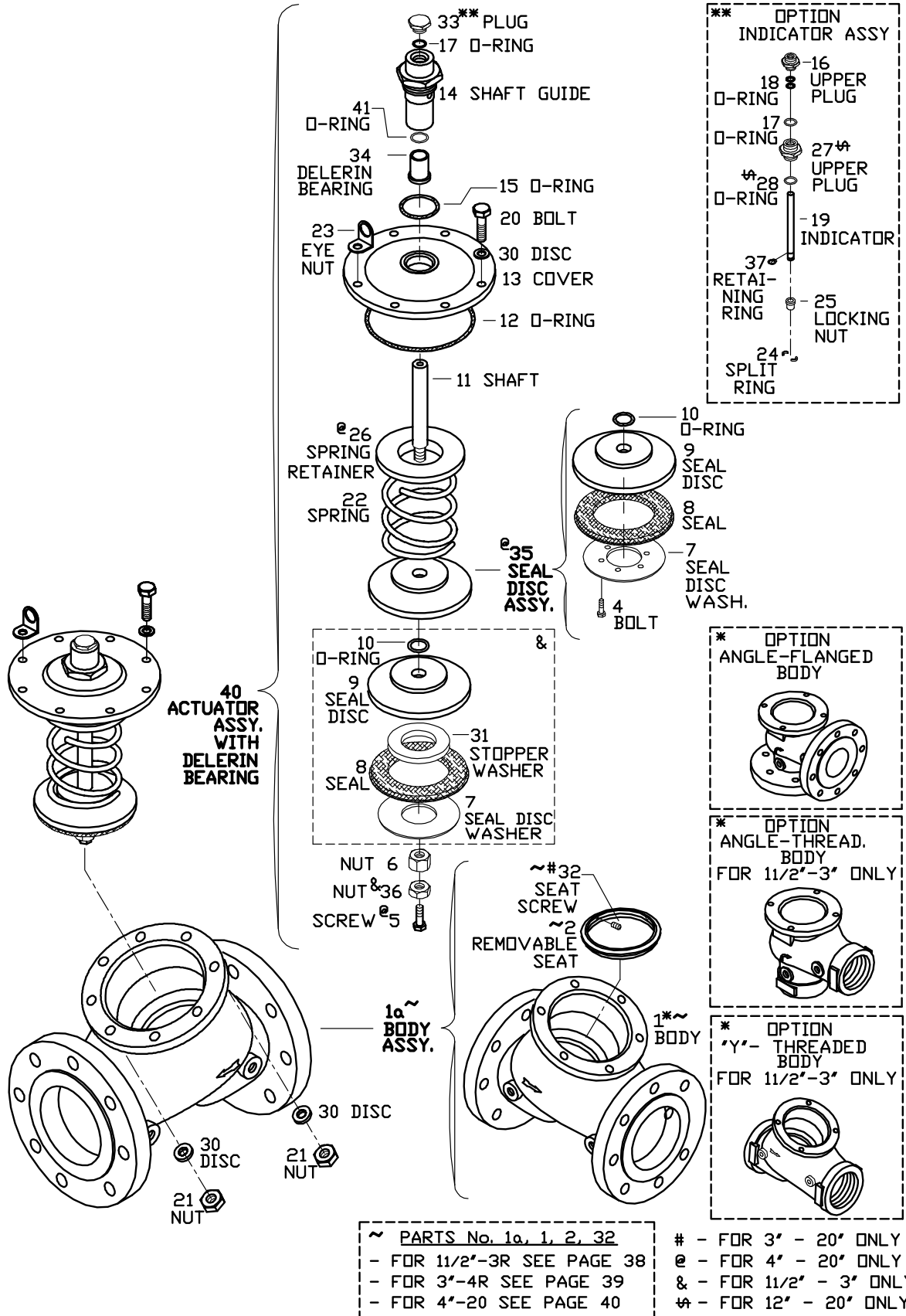
Sizes: 1 1/2" - 20"

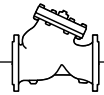




### Check Valves

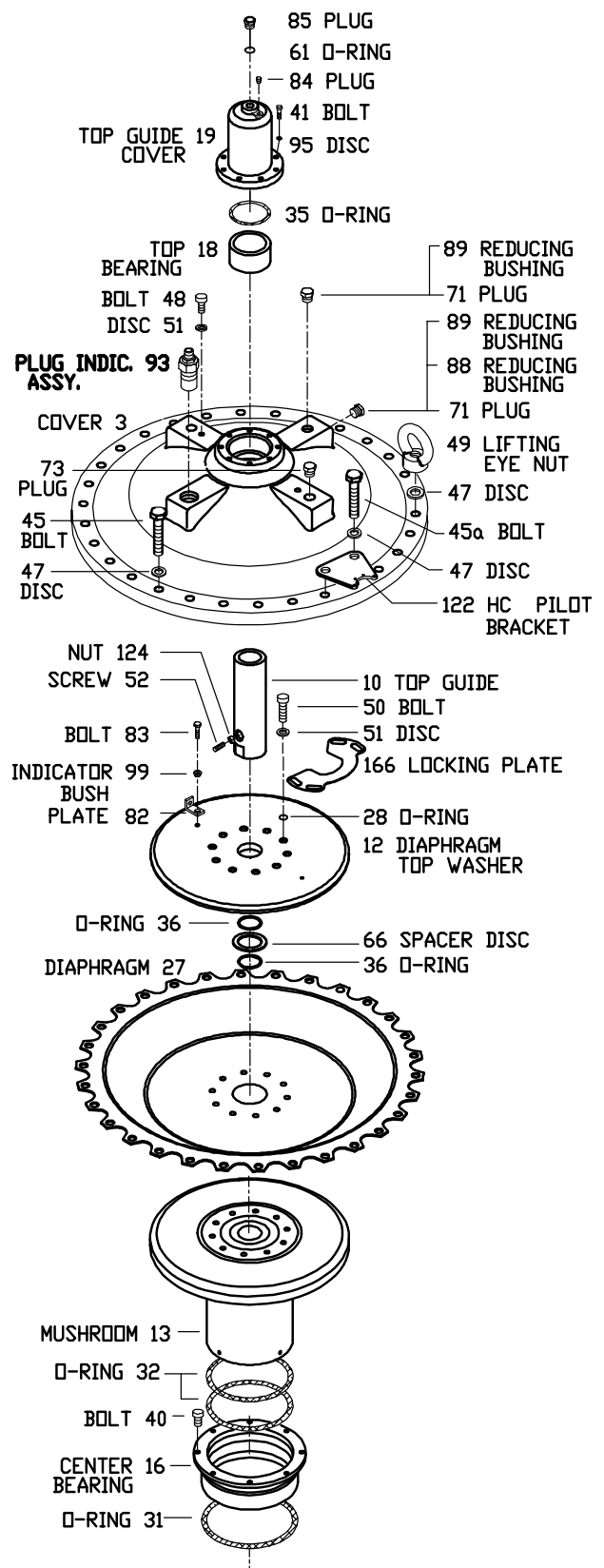
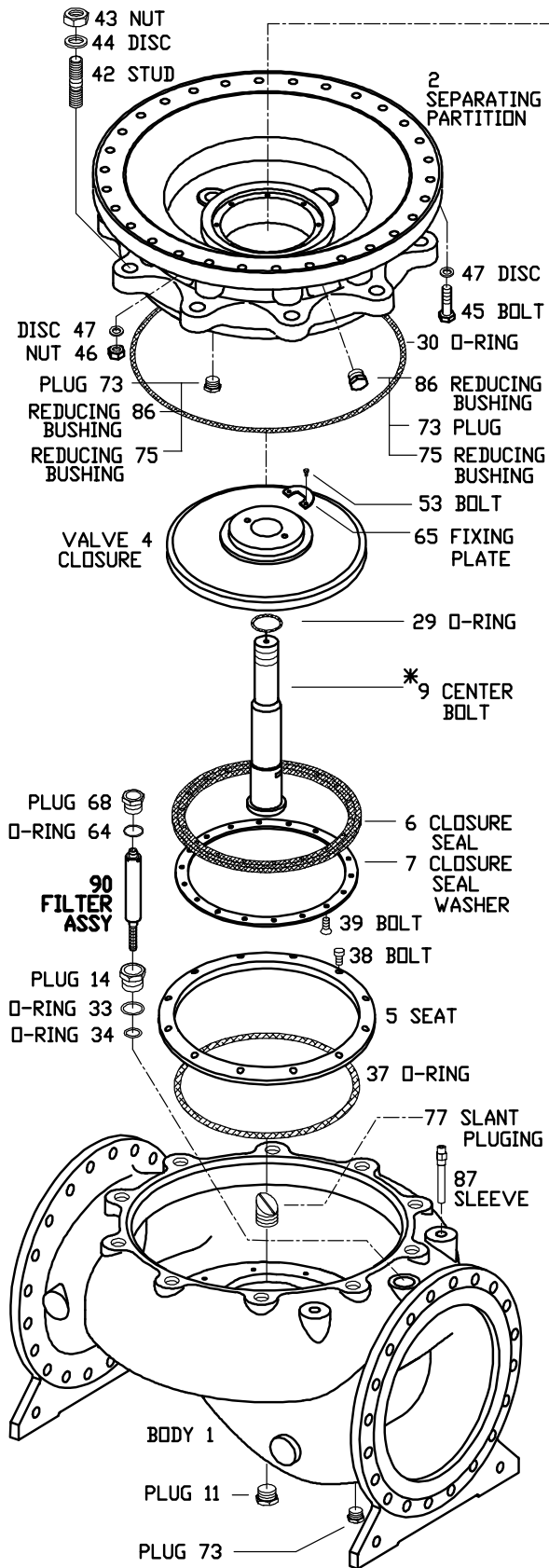
Sizes: 1 1/2" - 20"



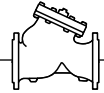


### Diaphragm Actuated Basic Control Valve

Sizes 24"-36"



\* - SEE PAGE 57a (KIT 150)



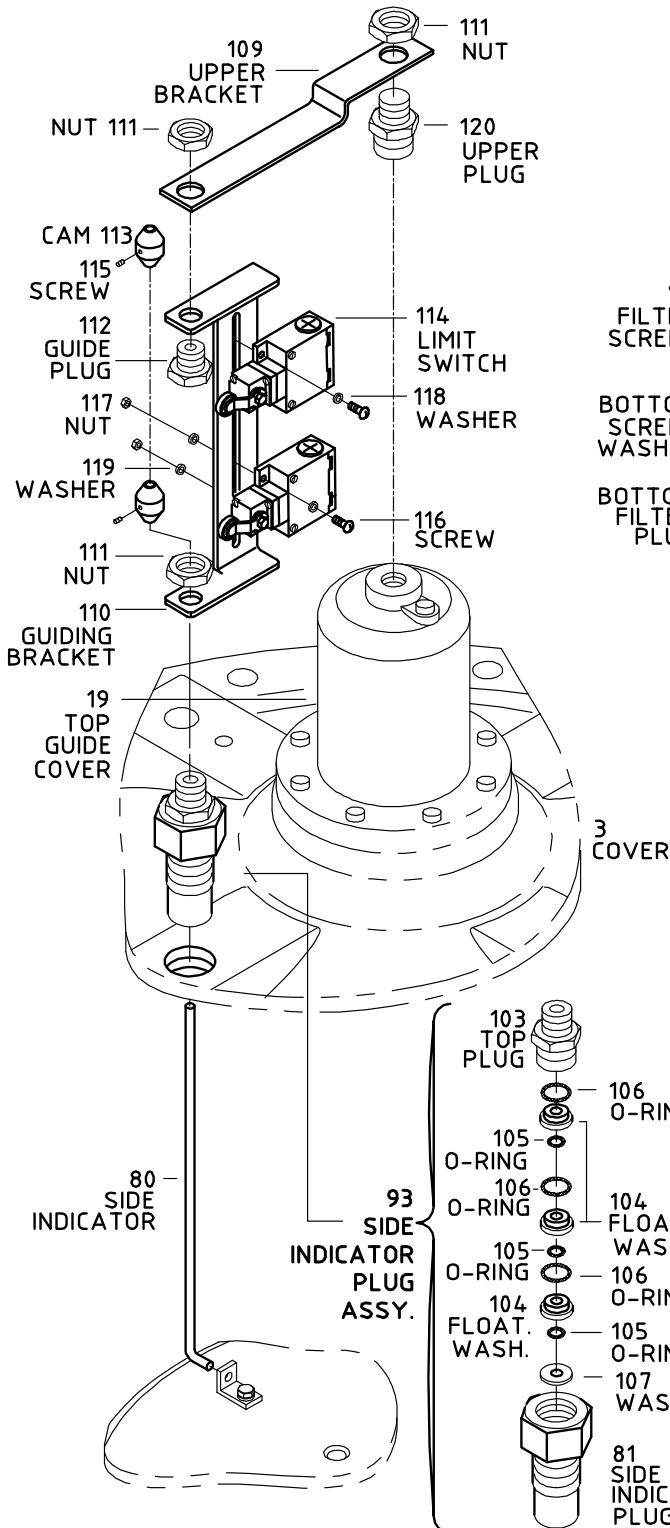
## Main Valves - Options

Sizes 24"-36"

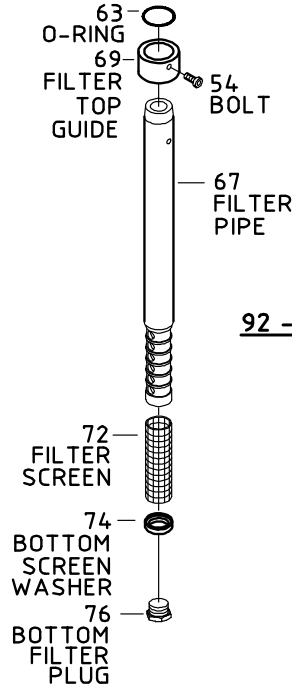
### 91 - SIDE INDICATOR ASSY.

#### 91a - SINGLE ELECTRIC LIMIT SWITCH ASSY.

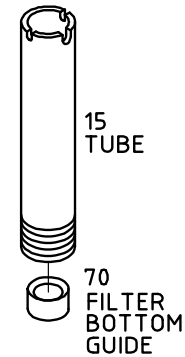
#### 91b - DUBLE ELECTRIC LIMIT SWITCH ASSY.



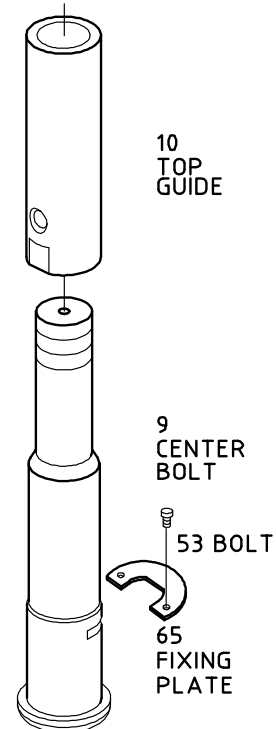
### 90 - FILTER ASSY.

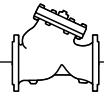


### 92 - TUBE FILTER ASSY



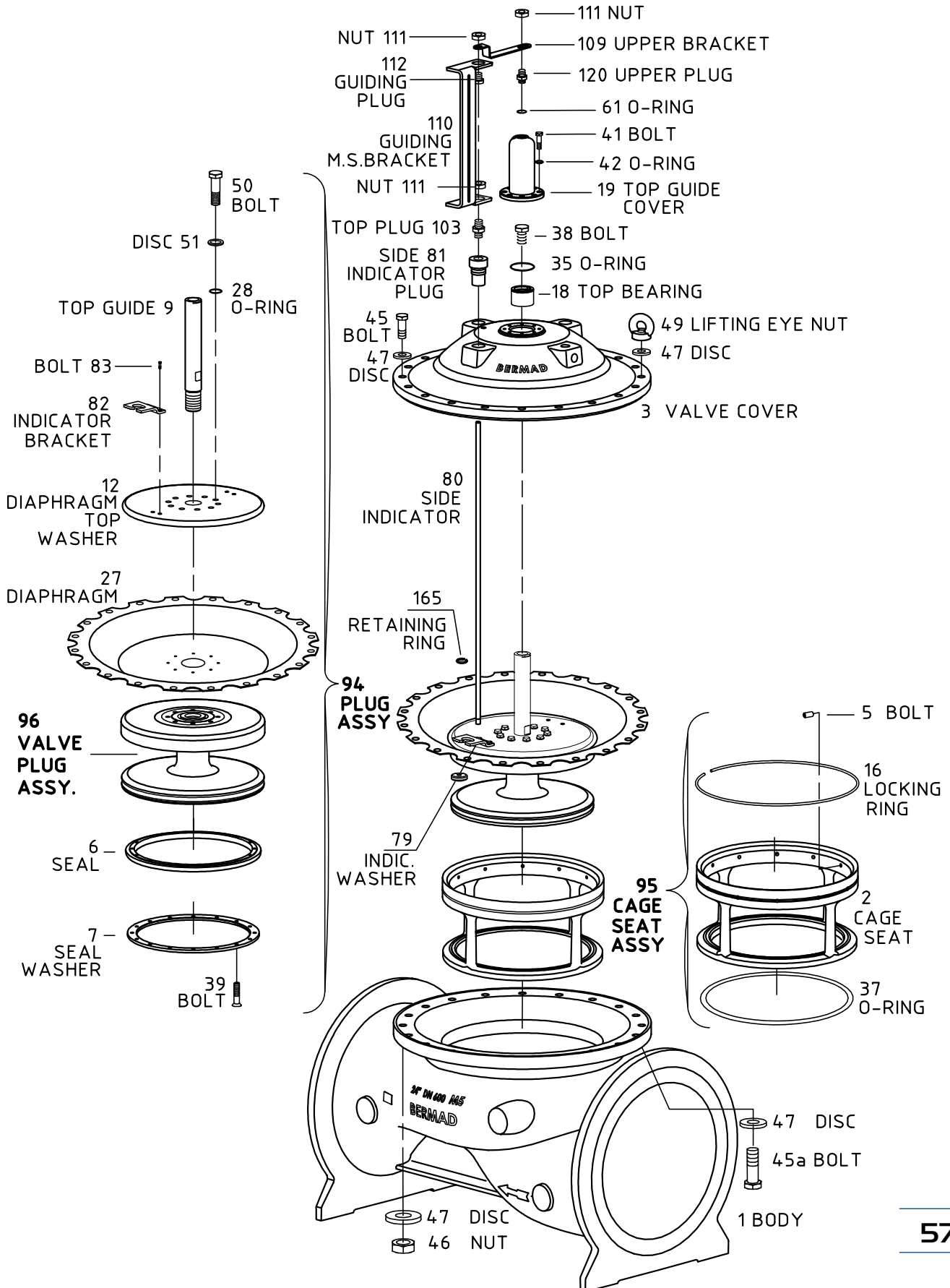
### 150 - KIT CENTER BOLT

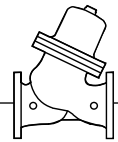




## Diaphragm Actuated Control Valve

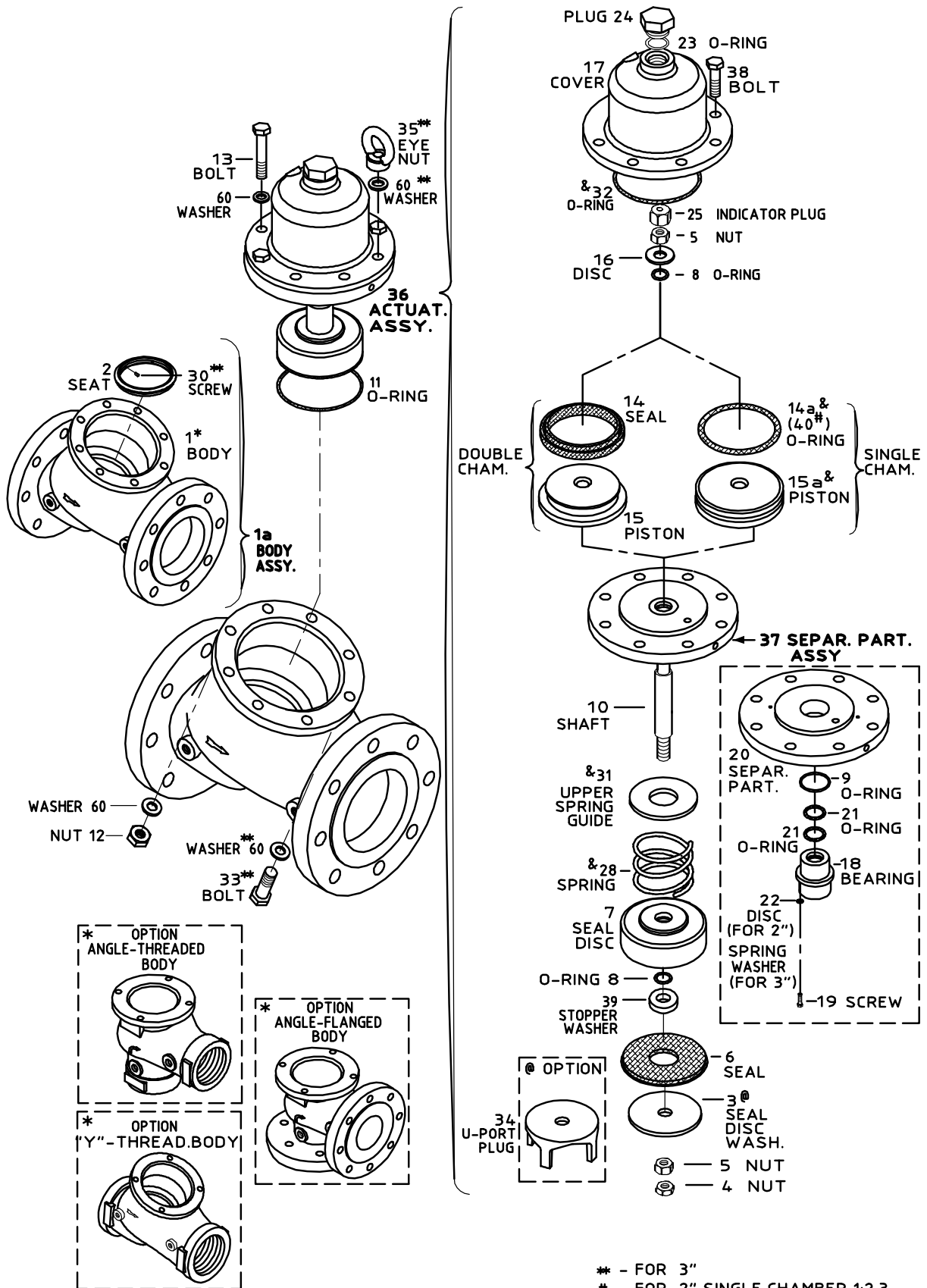
Size 24" - 28"



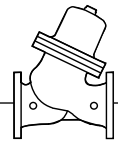


### Piston Actuated Basic Control Valves – Single and Double Chamber

Size 1 1/2" - 3"

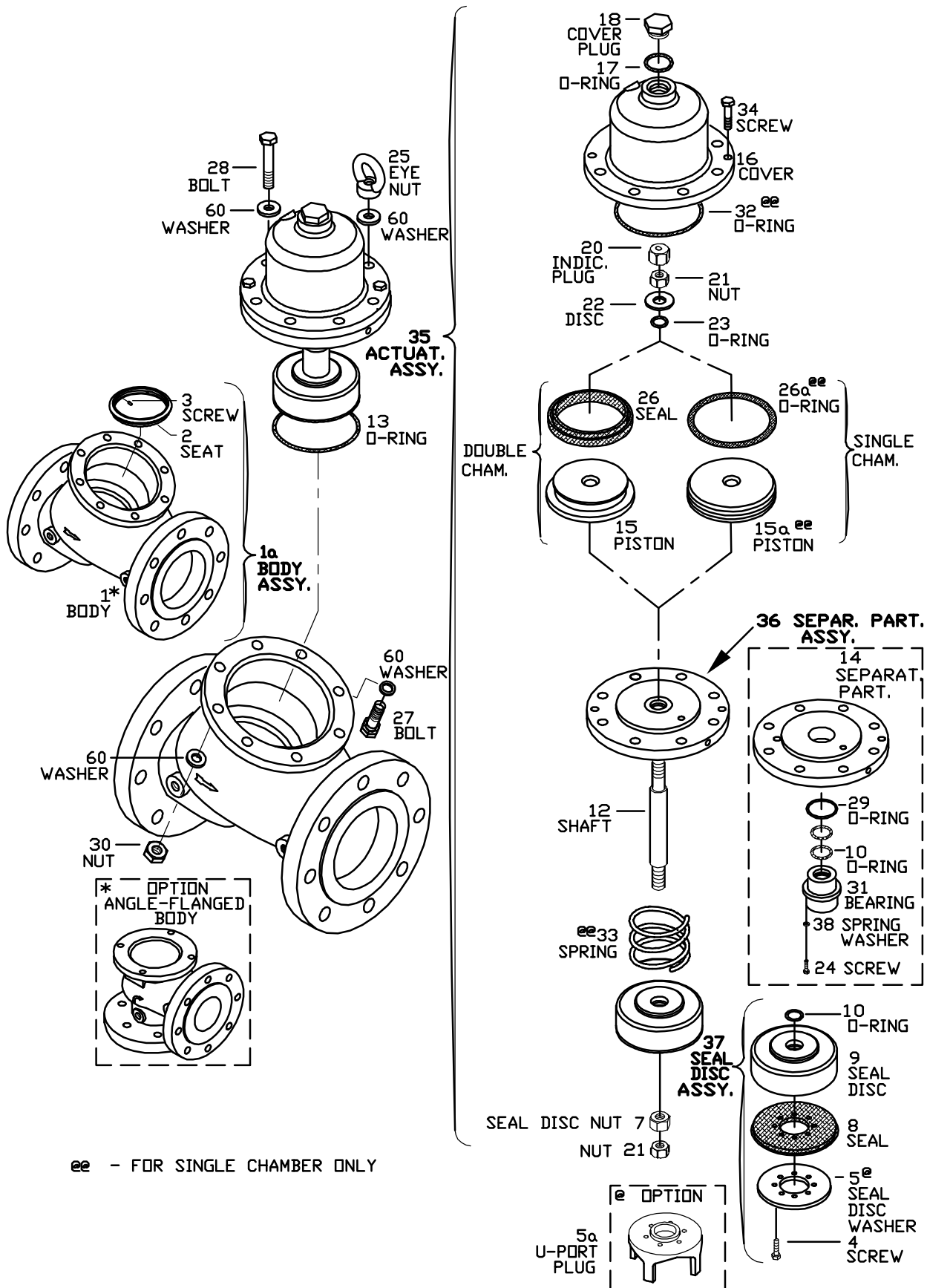


\*\* - FOR 3"  
 # - FOR 2" SINGLE CHAMBER 1:2.3  
 & - FOR SINGLE CHAMBER ONLY

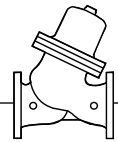


### Piston Actuated Basic Control Valves – Single and Double Chamber

Size 4"

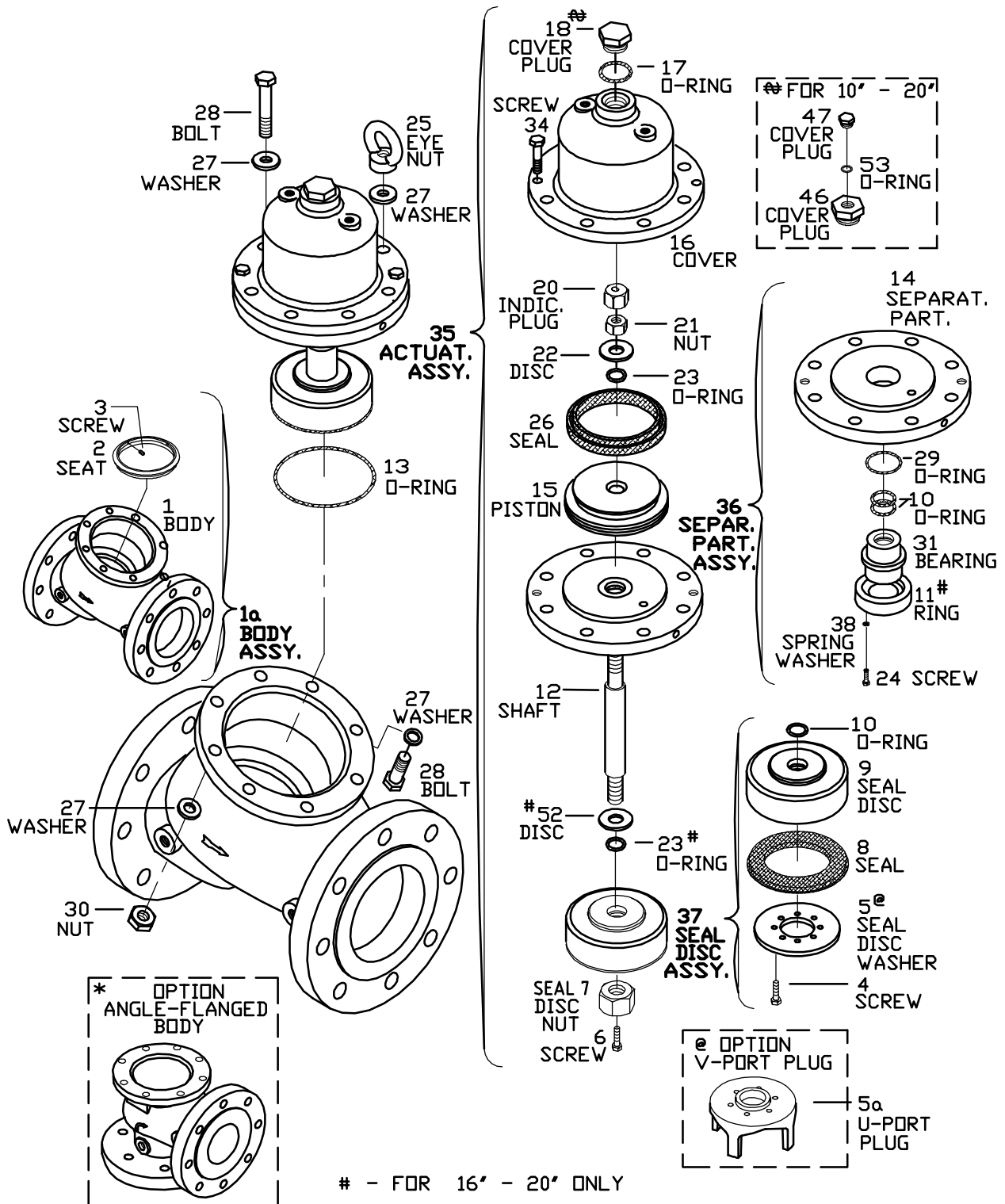


ee - FOR SINGLE CHAMBER ONLY

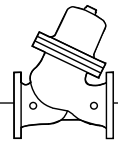


### Piston Actuated Basic Control Valves – Single and Double Chamber

Size 6" - 20"

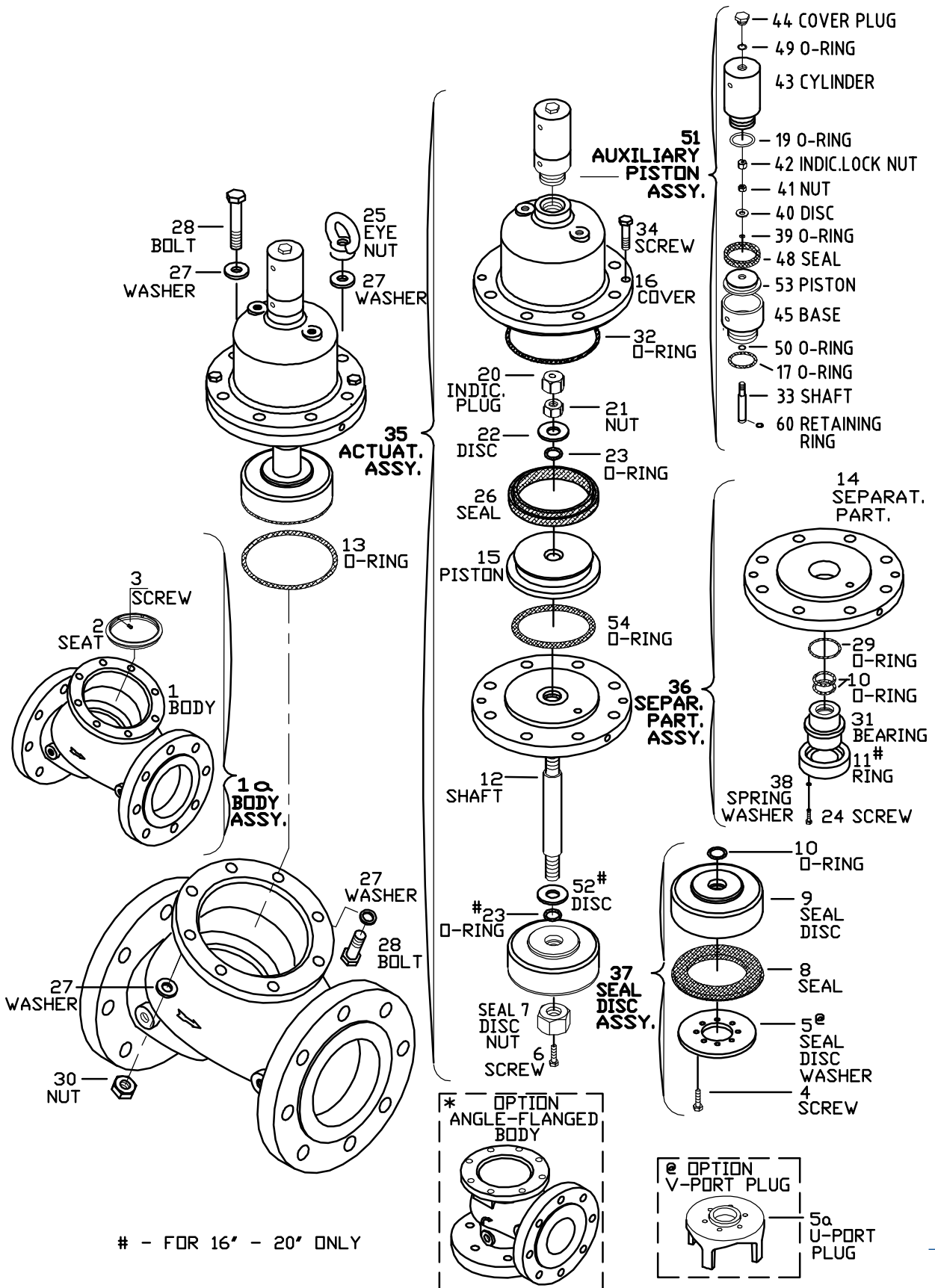


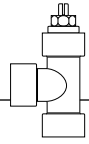




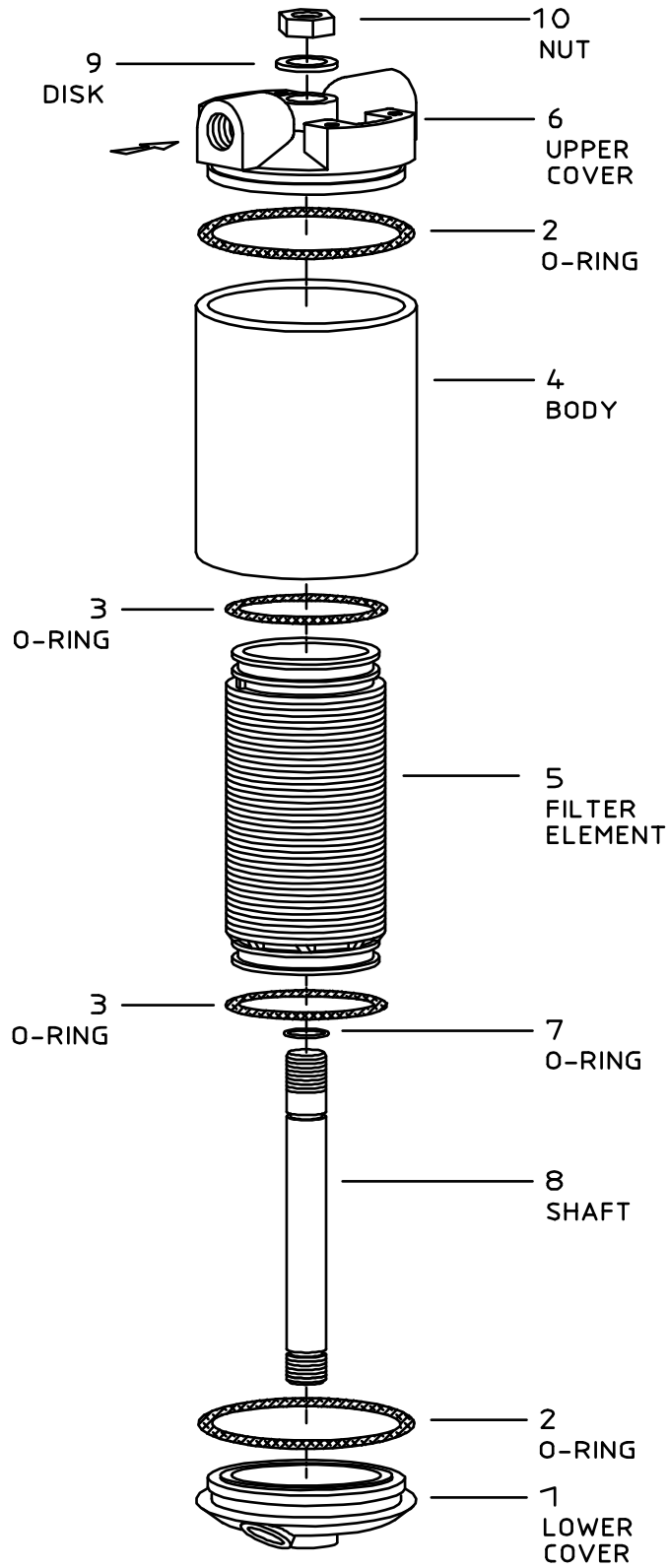
### Piston Actuated Basic Control Valves – Single Chamber

Size 6" - 20"





## Large Control Filter







# Spare Parts Ordering Guide

## BERMAD

Water Control Solutions

  
BERMAD  
Waterworks

  
BERMAD  
Fire Protection

  
BERMAD  
Petroleum

  
BERMAD  
Irrigation

  
BERMAD  
Landscape



[info@bermad.com](mailto:info@bermad.com) • [www.bermad.com](http://www.bermad.com)

The information herein is subject to change without notice. BERMAD shall not be held liable for any errors. All rights reserved.  
© Copyright by BERMAD.

Dec. 2013 POXWE11