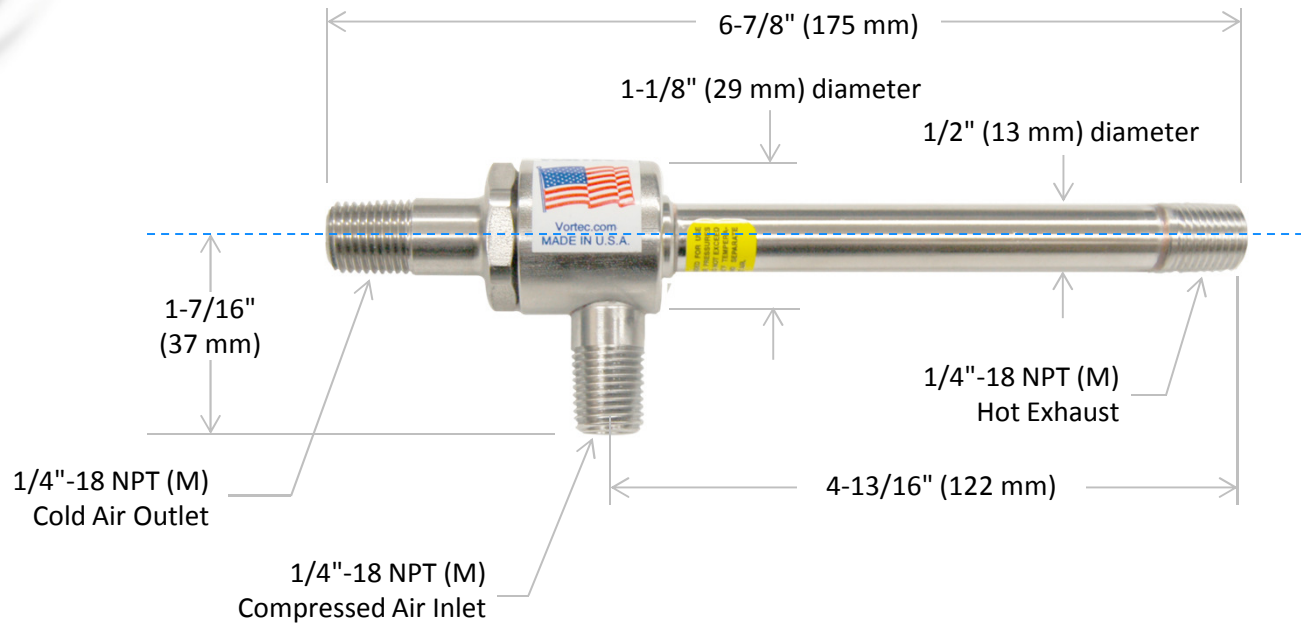




# Vortex Tube

Model 2o8SS



| SPECIFICATIONS |                  |       |                 |      |                  |                  |        |      |
|----------------|------------------|-------|-----------------|------|------------------|------------------|--------|------|
| Product        | Cooling Capacity |       | Air Consumption |      | Inlet Size       | Outlet Size      | Weight |      |
|                | BTU/hr           | Watts | SCFM            | SLPM |                  |                  | lbs    | kg   |
| 208-11-HSS     | 640              | 188   | 11              | 311  | 1/4 inch NPT (M) | 1/4 inch NPT (M) | 0.4    | 0.18 |
| 208-15-HSS     | 900              | 264   | 15              | 425  | 1/4 inch NPT (M) | 1/4 inch NPT (M) | 0.4    | 0.18 |
| 208-25-HSS     | 1500             | 440   | 25              | 708  | 1/4 inch NPT (M) | 1/4 inch NPT (M) | 0.4    | 0.18 |
| 208-35-HSS     | 2500             | 733   | 35              | 991  | 1/4 inch NPT (M) | 1/4 inch NPT (M) | 0.4    | 0.18 |

Note: Specifications are for 100 psig (6.9 bar) compressed air.



**Pelmar Engineering Ltd.**  
 Tel. (888) 754-6329, (416) 288-1736  
 E-mail: [sales@pelmareng.com](mailto:sales@pelmareng.com)  
 Web site: [www.pelmareng.com](http://www.pelmareng.com)