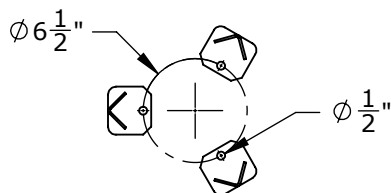
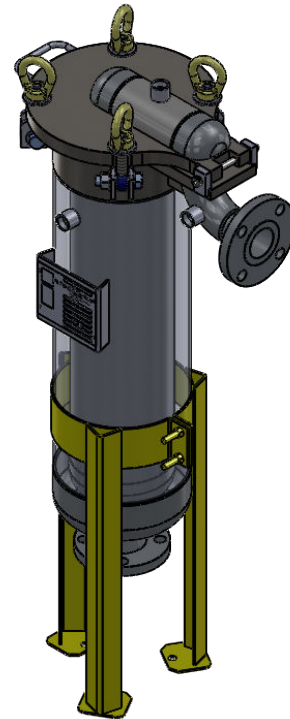
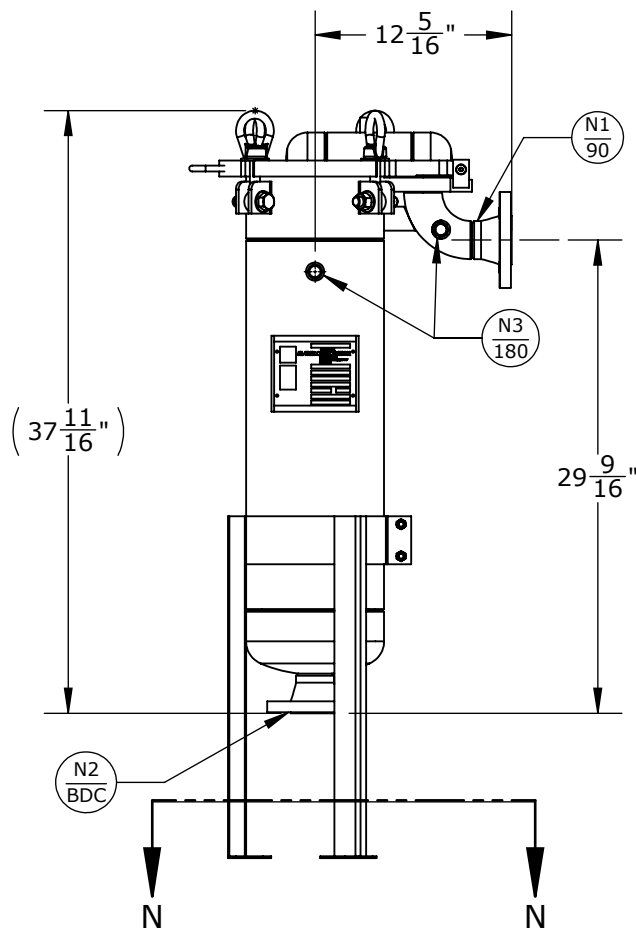


| NOZZLE SCHEDULE | | | |
|--|-----|----------------------------|----------------|
| MARK | QTY | SIZE / RATING | DESCRIPTION |
| N1 | 1 | 2" ANSI 150 | INLET |
| N2 | 1 | 2" ANSI 150 | OUTLET |
| N3 | 2 | 1/2" NPT CL3000 | PRESSURE GAUGE |
| N4 | 1 | 1/2" NPT CL3000 | VENT |
| | | | |
| VESSEL DESIGN CONDITIONS | | | |
| CODE: ASME SECTION VIII DIV. 1, 2017 EDITION | | | |
| M.A.W.P.: 150 PSI @ 400°F | | M.D.M.T.: -20° F @ 150 PSI | |
| M.A.W.P.: FV PSI @ 400°F | | | |
| CORROSION ALLOWANCE: - | | HYDROTEST PRESS: 195 PSI | |
| STAMP: UM | | SERVICE: WATER | |
| PWHT: N/A | | RADIOGRAPHY: N/A | |
| MATERIAL: SS304 | | GASKET: BUNA | |

Notes

1. Vessel will house 1 double length bag filter



SECTION N-N

| | | | | | |
|---|--|------------------|------------|-----------------------|------------|
| <p>THIRD ANGLE PROJECTION</p> <p>TOLERANCES-UNLESS OTHERWISE NOTED</p> <p>DECIMAL .X = ±.1" .XX = ±.02" .XXX = ±.005"</p> <p>FRACTIONAL = ±1/8"</p> <p>ANGULAR = ± 1°</p> <p>MAX. MACHINED SURFACE FINISH 125/√</p> | <p>FIL-TREK CORPORATION</p> <p>55 Stafford Court Cambridge, Ontario N1T 1B3 Canada</p> <p>Phone: (519) 623-7448 Fax: (519) 623-8807 Email: info@fil-trek.com Website: www.fil-trek.com</p> | | | | |
| | <p>THIS DRAWING IS THE PROPERTY OF 'FIL-TREK CORPORATION' AND MUST NOT BE COPIED OR USED IN ANY WAY DETRIMENTAL TO THE CORPORATION</p> <p>EQUIPMENT: TOP LINE SINGLE BAG FILTER HOUSING</p> <p>MODEL NO: S4TL112-2F-150</p> <p>CUSTOMER:</p> | | | | |
| PARENT: NONE | DRAWN: AJ | DATE: 10/05/2019 | SERIAL No. | Part No. 002006-00030 | REV. No. 0 |
| CHK'D: | SCALE: NTS | | | | |