



TAF

Polymeric self-cleaning compact filter

MASTERS OF FILTRATION



Any Technology



Anywhere



Any Challenge



Any Water Source

Your water challenge.
Our filtration solution.

Amiad Water Systems is a world leader in water treatment and filtration solutions. For over 57 years Amiad has devoted its passion and commitment to developing a comprehensive line of water filtration systems for a wide range of industrial applications.

Our solutions are integrated into the core of water filtration systems in the following industries and applications: metal, plastic, energy, chemical, water treatment and salt water disposal.

We develop filters that are able to cope with any water quality, in any geographical location.

We've spent years mastering filtration technology so we can offer a wide range of filters for every industrial need, including screen, disc, microfiber or media technology.



Disc Technology



Screen Technology



Media Technology



Microfiber Technology

We consider every challenge as an opportunity to work side by side with our customers to solve their problems.

We'll go anywhere to ensure our filters perform as expected, 24/7, every day of the year.

When you want a high-performance solution for your water filtration system, consult with Amiad. We focus on doing what we do best.

Amiad. Masters of Filtration.

TAF: Long-lasting reliability

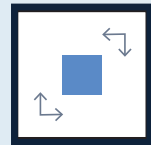
TAF FEATURES



Low power consumption
Saves resources and costs

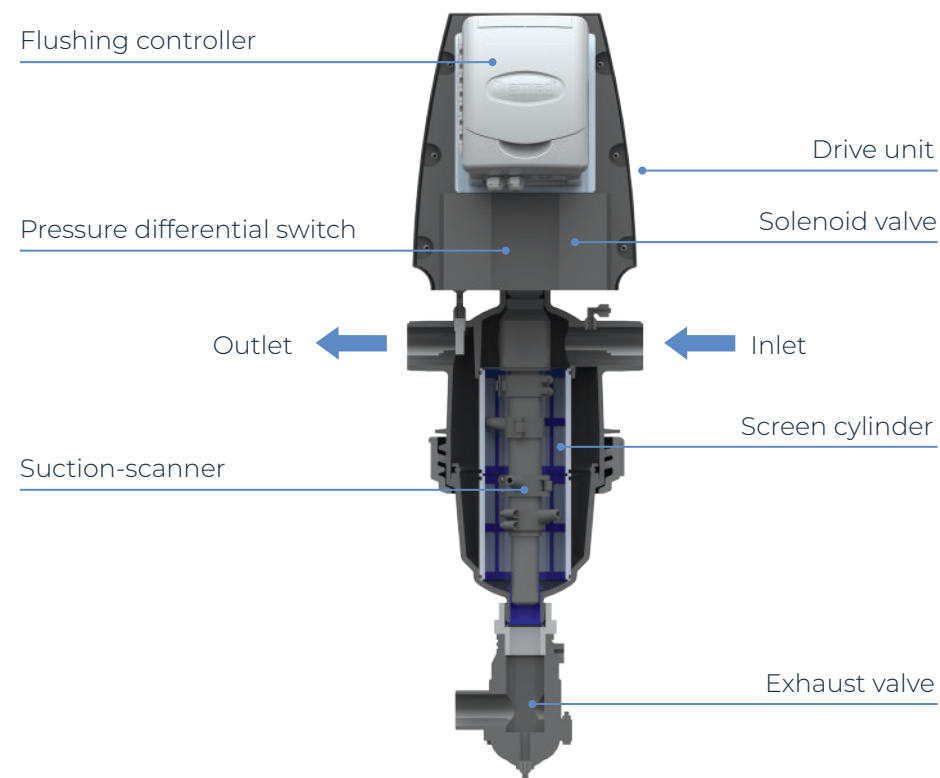


Automatic & self-cleaning
Flushes based on pressure differential and/or time



Compact design
Ideal for limited installation space

TAF Parts



Technical Specifications

Filter Model	2" TAF 500	2" TAF 750	3" TAF 750
General data			
Max. flow rate*	25 m ³ /h (110 gpm)		50 m ³ /h (220 gpm)
Inlet / Outlet diameter	2"/50 mm		3"/80 mm or 3" Flanged
Standard filtration degrees	500, 300, 200, 130, 100, 80, 50, 25, 10 micron		
Min. working pressure	1.5 bar (22 psi) Can be lower if pressure is increased for flushing		
Max. working pressure	8 bar (116 psi)		
Max. working temperature	60°C (140°F)		
Electrical Supply	110/220 VAC		
Weight (empty)	11.6 kg (25.6 lb)	12.4 kg (27.3 lb)	13.0 kg (28.7 lb)

* Consult Amiad for optimum flow depending on filtration degree & water quality.

Flushing data			
Min. flow for flushing (at 1.5 bar - 22 psi)	4 m ³ /h (18 gpm)	5.7 m ³ /h (25 gpm)	
Reject water volume per flush cycle	18 liters (4.7 gallons)	25 liters (6.6 gallons)	
Flushing cycle time per flush cycle	16 seconds		
Exhaust valve	40 mm (1½")		
Flushing criteria	Differential pressure of 0.5 bar (7psi), time intervals or manual operation		

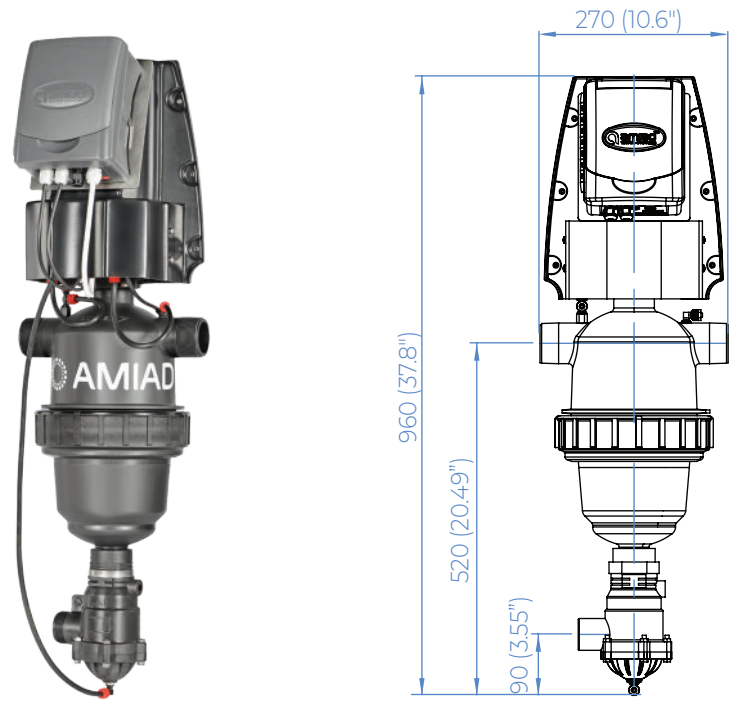
Screen Data			
Filtration area	800 cm ² (124 in ²)	1200 cm ² (186 in ²)	
Screen types	St. St. 316 weave wire screen with Polycarbonate construction, SMO-254		

Electronic control	
Rated operation voltage	220 V, 110 V upon request
Electric motor	15 Watt 50/60 Hz, Gear output 48/58 R.P.M.
Current consumption	0.18 A
Control voltage	Electric TAF - 24 VAC

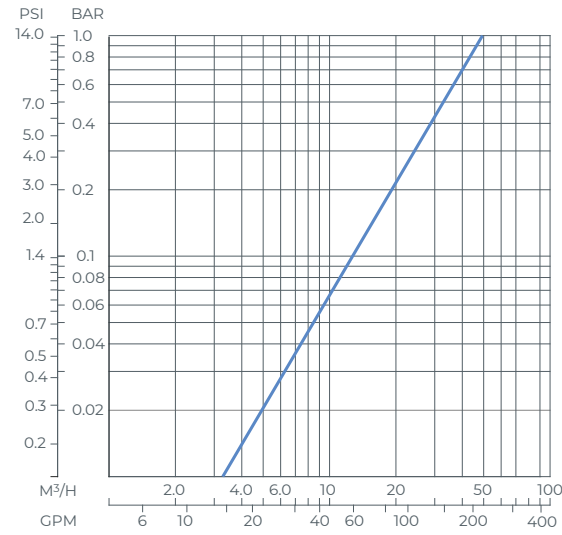
Construction materials	
Filter housing and lid	PA + GF
Cleaning mechanism	PVC, Delarin®
Exhaust valve	Plastic, Natural rubber
Seals	NBR
Control	Brass, Stainless steel, PE, PP

TAF Models

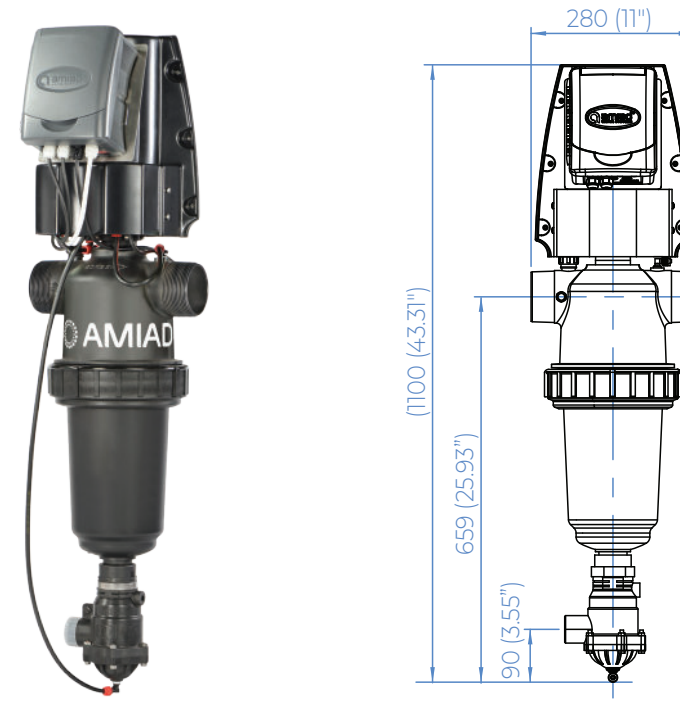
2" TAF 500



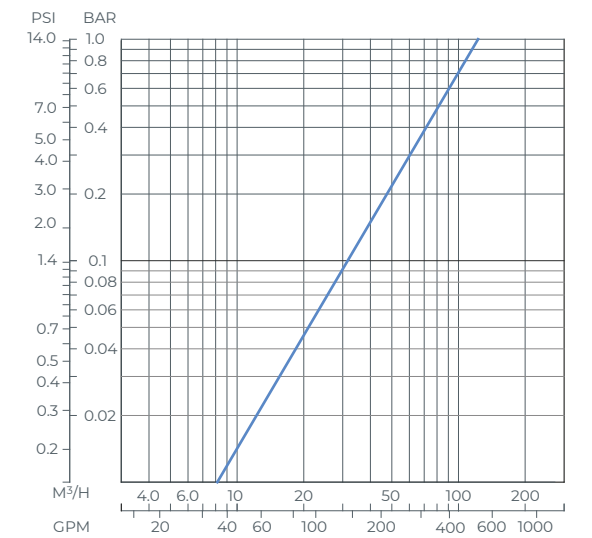
Head Loss Graph (in clean water)



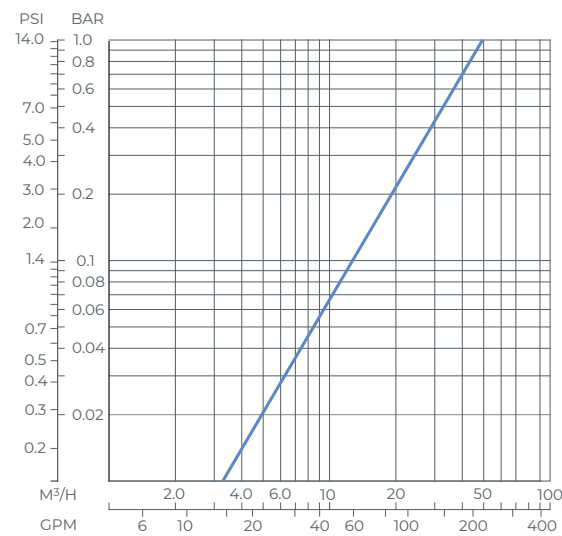
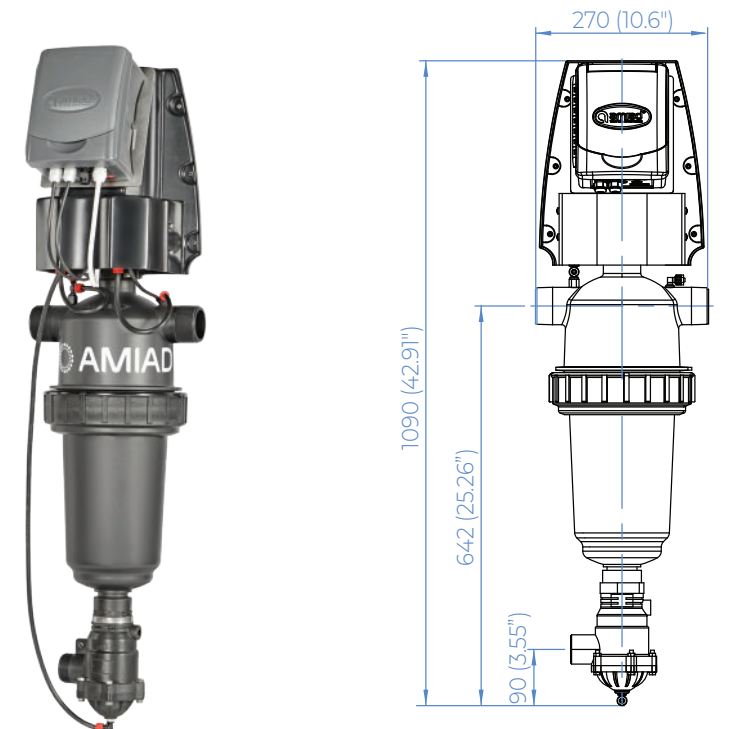
3" TAF 750



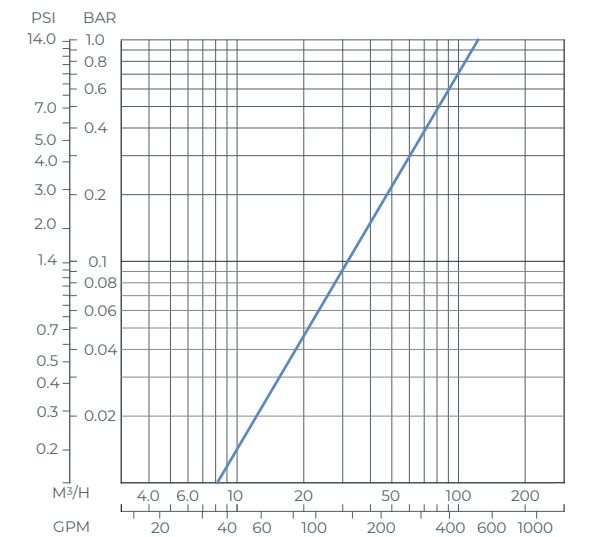
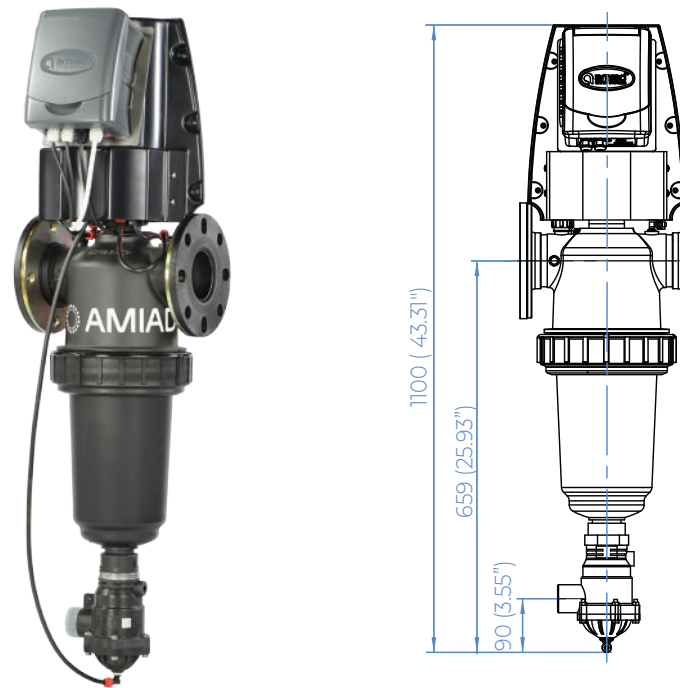
Head Loss Graph (in clean water)



2" TAF 750



3" TAF 750, FLANGS



mm (inch)

*Approx. length required for maintenance

mm (inch)

*Approx. length required for maintenance



Headquarters

Amiad Water Systems Ltd.

Web: www.amiad.com

E-mail: info@amiad.com

The Americas

USA

Amiad USA Inc.

Web: us.amiad.com | E-mail: infousa@amiad.com

Mexico

Amiad México SA DE CV,

Web: es.amiad.com | E-mail: infomexico@amiad.com

Asia

India

Amiad Filtration India Pvt Limited

Web: amiad.com | E-mail: info-india@amiad.com

China

Amiad China (Yixing Taixing Environtec Co., Ltd.)

Web: cn.amiad.com | E-mail: infochina@amiad.com

South-East Asia

Filtration & Control Systems Pte. Ltd.

Web: amiad.com | E-mail: info-singapore@amiad.com

Australia

Amiad Australia Pty Ltd.

Web: au.amiad.com | E-mail: sales@amiad.com

Europe

Amiad Water Systems Europe SAS

Web: amiad.com | E-mail: industry-europe@amiad.com

German branch office

Web: de.amiad.com | E-mail: industry-de@amiad.com

United Kingdom

Amiad Water Systems UK Limited

Web: amiad.com | E-mail: info-uk@amiad.com



 **amiad**® INDUSTRY

MASTERS OF FILTRATION

www.amiad.com

910101-000243/12.2021

Copyright © 2019 Amiad Water Systems Ltd. All rights reserved. The contents of this catalogue including without limitation all information and materials, images, illustrations, designs, icons, photographs, graphical presentations, designs, literary works, data, drawings, slogans, phrases, names, trademarks, titles and any other such materials that appear in this catalogue (collectively, the "Contents") are the sole property of Amiad Water Systems Ltd. ("Amiad"). Amiad has sole and exclusive right, title and interest in the Contents, including any intellectual property rights, whether registered or not, and all know-how contained or embodied therein. You may not reproduce, publish, transmit, distribute, display, modify, create derivative works from, sell or participate in any sale of, or exploit in any way, in whole or in part, any of the Contents or the catalogue. Any use of the catalogue or the Contents, other than for personal use, requires the advanced written permission of Amiad.