

# LP SERIES

## Multi-Bag Filter Housings

- Multi-Bag Filter Housing
- ASME Design/Non-Code
- SS304 and SS316 are NSF/ANSI 61 certified

Economic multi-purpose ASME code ("U" & "UM") and non-code design bag filter housings.



### SUITABLE USES



Air & Gas



Desalination



Coolant



Water



Electronics



Coatings



Oil & Gas



Chemical



Pulp & Paper



Power



Marine



Equipment

### MEDIA

Accepts multiple double length (P2) bags.

### DESIGN PRESSURE

150 psig (10.3bar) @ 400°F (204.4°C).

### AVAILABLE MATERIALS

Carbon or Stainless Steel 304 or 316\*. Also available in LDX2101, C276, AL6XN, 2205, 2507 & Monel 400.  
\*NSF/ANSI 61 certification available for SS304 and SS316 (S4LP/ S6LP).

### ADDITIONAL FEATURES

Allows for easy filter bag removal without ladders or platforms to change filter bags.  
Swing bolt closure allows for quick bag change out.



Certified to NSF/ANSI 61

*Custom sizes, configurations, materials of construction and other options may be available. Please contact Fil-Trek*

*For drawings, flow charts, custom applications and filter cartridge information please visit [www.fil-trek.com](http://www.fil-trek.com).*

# LP SERIES

## Multi-Bag Filter Housings

- Multi-Bag Filter Housing
- ASME Design/Non-Code



## HOUSING SPECIFICATIONS

\*Indicates standard configuration

<b>Inlet/Outlet</b>	2" Flange - 18" Flange
<b>Dirty Drain</b>	½" NPT on all sizes*
<b>Clean Drain</b>	2" NPT on all sizes*
<b>Vent</b>	½" NPT on all sizes*
<b>Gauges</b>	½" NPT on all sizes*
<b>Basket</b>	¼" on ⅜" perforated plate* *Other basket options available
<b>Headlift</b>	Mechanical Davit (std) for up to LP38* Hydraulic Davit on LP40 and larger*
<b>Legs</b>	Angle Iron Legs with footpads*
<b>Closure</b>	Swing bolt closure*
<b>Standard Pressure</b>	150 PSI
<b>Standard Temperature</b>	400°F (204°C)
<b>Certifications</b>	U, UM, CE, NB, CRN

## MODEL FLOW RATES

MODEL	# OF BAGS	FLOW RATE (GPM)	MAX FLANGE
LP18	3	375	6"
LP22	5	625	6"
LP26	7	875	8"
LP30	10	1250	8"
LP34	12	1500	10"
LP38	17	2125	10"
LP42	19	2375	10"
LP46	25	3125	12"
LP50	30	3750	14"
LP54	35	4375	14"
LP58	38	4750	14"

## MATERIAL OF CONSTRUCTION

MATERIAL OF CONSTRUCTION	MAX. OPERATING PRESSURE	MAX. DESIGN TEMP
304 Stainless Steel*	150 psi (10.3bar)	400°F (204°C)

\*NSF/ANSI 61 certification available for SS304 and SS316 (S4LP/S6LP).

\*Flow rates above are based on water at 125gpm per filter bag, using 10 micron single layer filter bags with a clean pressure drop of 2psi. When operating using baskets only, each basket can flow up to 200gpm. Actual flow rates are dependent on fluid viscosity, bag micron rating, type of filter bag, and contaminant. Please contact Fil-Trek for assistance with sizing.



55 Stafford Court, Cambridge, ON N1T 1B3 P (519) 623-7448 F (519) 623-8807

For more information, e-mail: [info@fil-trek.com](mailto:info@fil-trek.com) or visit [Fil-Trek.com](http://Fil-Trek.com)

SS/ss

# LP SERIES

## Multi-Bag Filter Housings

- Multi-Bag Filter Housing
- ASME Design/Non-Code



## HOUSING OPTIONS

\*Indicates standard configuration

**Configuration** (-) A – Side in/side out\*

**Options**  
 B – In-Line side in/side out  
 C – Side in/Bottom out  
 D – Side in/Side out, Same Side

**Basket** ½" on ¾" perforated basket\*

**Options**  
 MB \_\_\_ - Mesh lined basket  
 (insert mesh size in open space)

**Finish** (-) Paint "National Blue" (std for CS)\*

**Options**  
 (-) Bead Blast (std for SS304 or SS316)\*  
 EP1 – Electro polish Inside/Outside  
 EP2 – Inside only  
 EP3 – Outside only  
 PP – Passivation

**O-Ring** (-) Buna-N\*

**Options**  
 ED – EPDM  
 VI – Viton  
 SI – Silicone  
 TEV – Teflon encapsulated Viton

**Accessories**  
 Direct Reading Gauge  
 DP Gauge  
 Safety Relief Valves  
 Vent Valves  
 Drain Valves  
 Air Eliminator  
 Omega Springs  
 Balloon/Liquid Displacer  
 Bag Magnets

## MODEL DIMENSIONAL DETAILS

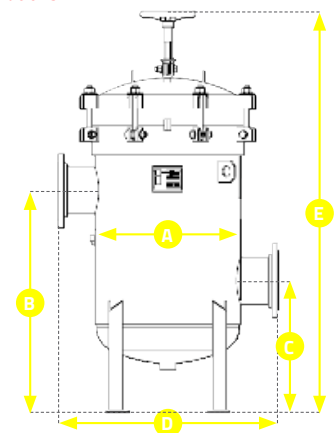
MODEL	# OF BAGS	SHIPPING WGT (LBS)	A	B	C	D	E
LP18	3	400	18.50"	34"	20"	30"	61"
LP22	5	550	22.50"	36"	22"	36"	66"
LP26	7	750	26.50"	40.5"	24"	40"	74"
LP30	10	950	30.50"	40.5"	24"	46"	76"
LP34	12	1,400	34.63"	47"	28"	52"	84"
LP38	17	1,750	38.63"	47"	28"	56"	86"
LP42	19	2125	42.75"	50"	30"	60"	82"
LP46	25	2625	46.75"	57"	34"	66"	92"
LP50	30	3250	50.88"	61"	36"	70"	98"
LP54	35	4000	54.88"	61"	36"	74"	98"
LP58	38	4625	58.88"	63"	38"	80"	102"

Dimensions above are based on standard configuration 'A', side in/side out. Contact factory for weights and dimensions for all other model configurations.

## CHART LEGEND

- A OUTSIDE DIAMETER
- B FLOOR TO INLET
- C FLOOR TO OUTLET
- D FACE TO FACE
- E OVERALL HEIGHT

Style A



55 Stafford Court, Cambridge, ON N1T 1B3 P (519) 623-7448 F (519) 623-8807

For more information, e-mail: [info@fil-trek.com](mailto:info@fil-trek.com) or visit [Fil-Trek.com](http://Fil-Trek.com)

SS/ss

# LP SERIES

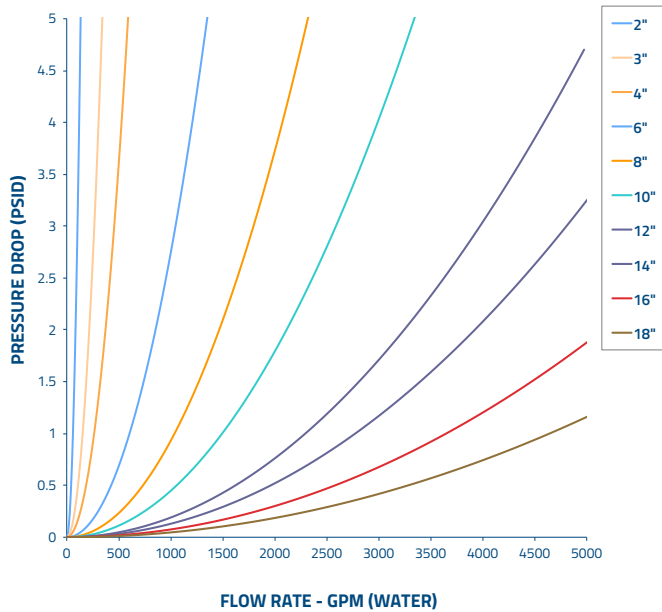
## Multi-Bag Filter Housings

- Multi-Bag Filter Housing
- ASME Design/Non-Code



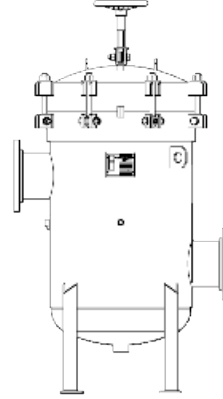
## FLOW CHARTS

### HOUSING PRESSURE DROP vs LIQUID FLOW RATE

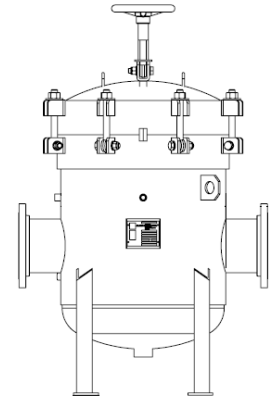


## MODEL CONFIGURATIONS

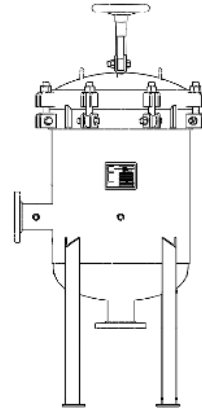
**Style A:** Side in/side out  
LP Standard Design



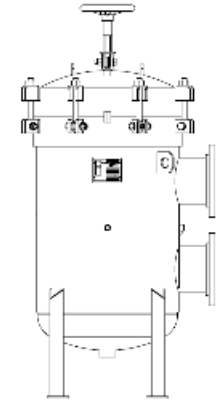
**Style B:** In-Line side in/out



**Style C:** Side in/bottom out



**Style D:** Same side in/out



## PRODUCT NOMENCLATURE

<b>S6</b>	<b>LP</b>	<b>18</b>	<b>3</b>	<b>12</b>	<b>6F</b>	<b>A</b>	<b>150</b>	<b>-</b>
<b>MATERIAL</b>	<b>MODEL</b>	<b>HOUSING DIAMETER</b>	<b># OF BASKETS</b>	<b>BASKET LENGTH</b>	<b>CONNECTION TYPE</b>	<b>MODEL CONFIGURATION</b>	<b>DESIGN PRESSURE</b>	<b>OPTIONS</b>
(-) – CS S4 – SS304** S6 – SS316**	LP – ASME Code* ELP – Non-Code	See Table	See Table	12 – Size 2	See Table	A – Side in/out* B – In-line C – Side in/bottom out D – Same side in/out	150	See "Housing Options"

\*LP series is an ASME code stamped housing. This vessel is also available in an industrial non-code design. For non-code, add the prefix "E" to the LP in the part number.

\*\*NSF/ANSI 61 certification available for SS304 and SS316 (S4LP/S6LP).



55 Stafford Court, Cambridge, ON N1T 1B3 P (519) 623-7448 F (519) 623-8807

For more information, e-mail: [info@fil-trek.com](mailto:info@fil-trek.com) or visit [Fil-Trek.com](http://Fil-Trek.com)

SS/ss