

SECTION K-K

NOZZLE SCHEDULE

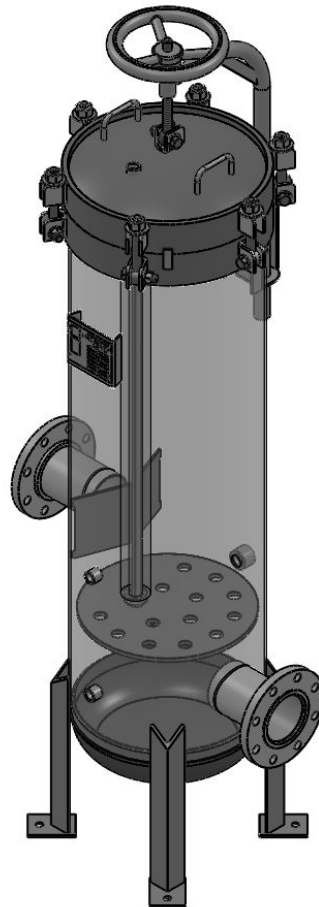
MARK	QTY	SIZE / RATING	DESCRIPTION
N1	1	4" 150# RFSO	INLET
N2	1	4" 150# RFSO	OUTLET
N3	2	1/2" 3000# NPT	PRESSURE GAUGE
N4	1	1/2" 3000# NPT	VENT
N5	1	1" 3000# NPT	CLEAN DRAIN
N6	1	1" 3000# NPT	DIRTY DRAIN

VESSEL DESIGN CONDITIONS

CODE: ASME SECTION VIII DIV. 1, 2015 EDITION	
M.A.W.P.: 150 PSI @ 400°F	M.D.M.T.: -20° F @ 150 PSI
M.A.W.P.: FV PSI @ 400°F	
CORROSION ALLOWANCE: NONE	HYDROTEST PRESS: 195 PSI
STAMP: U	SERVICE: NON LETHAL
PWHT: N/A	RADIOGRAPHY: N/A
MATERIAL: SS304	GASKET: BUNA-N

NOTES:

1. VESSEL DRY WEIGHT: **354 LBS.**
2. SHIPPING WEIGHT: **500 LBS.**
3. FLOODED WEIGHT: **755 LBS.**
4. VESSEL VOLUME: **6.5 CU. FT.**
5. VESSEL WILL HOUSE (QTY=25) 2.5"OD x 40" LG CARTRIDGE.



APPROVED WITH MARK-UPS  APPROVED



THIRD ANGLE PROJECTION  
TOLERANCES-UNLESS OTHERWISE NOTED

DECIMAL .X = ±.1"  
.XX = ±.02"  
.XXX = ±.005"

FRACTIONAL = ±1/8"

ANGULAR = ± 1°

MAX. MACHINED SURFACE FINISH 125/√

PARENT: NEW

DRAWN: JN

CHK'D:



FIL-TREK CORPORATION

55 Stafford Court  
Cambridge, Ontario  
N1T 1B3  
Canada

Phone: (519) 623-7448  
Fax: (519) 623-8807  
Email: info@fil-trek.com  
Website: www.fil-trek.com

THIS DRAWING IS THE PROPERTY OF 'FIL-TREK CORPORATION' AND MUST NOT BE COPIED OR USED IN ANY WAY DETRIMENTAL TO THE CORPORATION

EQUIPMENT: GL SERIES (CARTRIDGE FILTER VESSEL)

MODEL NO: S4GL16-025-4-4F-150

CUSTOMER:

DRAWN: JN

CHK'D:

DATE: 13/06/2017

SCALE: NTS

SERIAL No.

Part No. 001001-00357

REV. No. 0