

D-020 250 psi

Combination Air Valve for Wastewater



Description

The D-020 Combination Air Valve combines an air & vacuum component and an air release component in a single body. The valve is specifically designed to operate with liquids carrying solid particles such as wastewater and effluents. The combination air valve discharges air (gases) during the filling or charging of the system, admits air into the system during drainage and at water column separation and releases accumulated air (gases) from the system while it is operating under pressure. The valve's unique design enables the separation of the liquid from the sealing mechanism and assures optimum working conditions.

Applications

- Pump stations for sewage, wastewater & water treatment plants.
- Wastewater and effluent water transmission lines.

Operation

The air & vacuum component discharges air at high flow rates during the filling of the system and admits air into the system at high flow rates during drainage and at water column separation.

High velocity air will not blow the float shut. Water will lift the float which activates the sealing of the valve.

At any time during system operation, should internal pressure of the system fall below atmospheric pressure, air will enter the system.

The smooth discharge of air reduces pressure surges and other destructive phenomena.

The intake of air in response to negative pressure protects the system from destructive vacuum conditions and prevents damage caused by water column separation. Air entry is essential to efficiently drain the system.

The air release component releases entrapped air in pressurized systems.

Without air valves, pockets of accumulated air may cause the following hydraulic disturbances:

- Restriction of effective flow due to a reduction of the flow area. In extreme cases this will cause complete flow stoppage.
- Obstruction of efficient hydraulic transmission due to air flow disturbances.
- Acceleration of cavitation damages.
- Increase in pressure transients and surges.
- Internal corrosion of pipes, fittings and accessories.
- Dangerous high-energy bursts of compressed air.
- Inaccuracies in flow metering.

As the system fills and is pressurized, the combination wastewater air valve functions in the following stages:

1. Air (gas) is discharged by the valve.
2. When the liquid level reaches the valve's lower portion, the lower float is lifted, pushing the sealing mechanism to its sealing position.
3. The entrapped air is confined in a pocket between the liquid and the sealing mechanism. The air pressure is equal to the system pressure.
4. Increases in system pressure compress the trapped air in the upper section of the conical chamber. The conical shape assures the height of the air gap. This enables separation of the liquid from the sealing mechanism.
5. Entrapped air (gas), accumulating at peaks and along the system, rises to the top of the valve and displaces the liquid in the valve's body.
6. When the liquid level lowers to a point where the float is no longer buoyant, the float drops, unsealing the rolling seal. The air release orifice opens and allows part of the air that accumulated in the upper portion of the valve to be released to the atmosphere.
7. Liquid enters the valve. The float rises, pushing the rolling seal to its sealing position. The remaining air gap prevents the wastewater from fouling the mechanism.

When internal pressure falls below atmospheric pressure (negative pressure):

1. The floats will drop down, immediately opening the air & vacuum and air release orifices.
2. Air will enter into the system.

Main Features

- Working pressure range: 0.7 - 250 psi.
- Testing pressure: 360 psi.
- Maximum working temperature: 140° F.
- Maximum intermittent temperature: 194° F.
- The unique design of the valve prevents contact between the wastewater and the sealing mechanism by creating an air gap at the top of the valve. These features are achieved by:
 - **The conical body shape:** designed to maintain the maximum distance between the liquid and the sealing mechanism and still obtain minimum body length.
 - **Independent spring-guided linkage between the lower float/rod assembly and the upper float sealing mechanism:** allows free movement of the lower float and rod. Vibrations and movement of the lower float due to turbulence will not unseal the upper float sealing mechanism.
 - **The Rolling Seal Mechanism:** less sensitive to pressure differentials

than a direct float seal. It accomplishes this by having a comparably large orifice for a wide pressure range (up to 250 psi).

- **Funnel-shaped lower body:** designed to ensure that residue wastewater matter will fall back into the system and be carried away by the main pipe.

- All inner metal parts made of stainless steel.
- 1½” threaded discharge outlet enables for the connection of a vent hose/pipe.
- Dynamic design allows for high capacity air discharge while preventing premature closure.
- The ball valve can be opened to release trapped pressure and drain the valve body prior to maintenance and for back-flushing during maintenance.

Valve Selection

- Size range 2” – 8”.
- These valves are manufactured with flanged ends to meet any requested standard
- The 2” and 3” valve is also available with a threaded NPT connection.
- Standard welded/cast steel body, also available in stainless steel.
- Valve body coating: fusion bonded epoxy coating in accordance with the standard DIN 30677-2.
- Other coatings are available upon request.
- **D-020 LP** for Low Pressure, Working pressure range: 0.725- 87 psi.
- **D-020 SB** Underground Air Valve System.
- Additional accessories:
 - With a One-way, Out-only attachment, allows for air discharge only, prevents air intake.
 - With a Vacuum Breaker, In-only attachment, allows for air intake only, prevents air discharge.
 - With a Non-Slam discharge-throttling attachment, allows for free air intake, throttles air discharge.



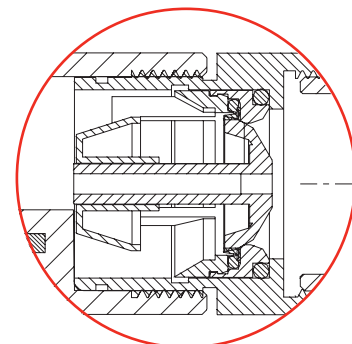
D-020 SB

Note

- The D-020 air valve is intended for use with raw wastewater. For use with aggressive liquids, please consult with our application engineers or with the marketing dept.
- For best suitability, it is recommended to send the fluid chemical properties along with the valve request.
- Upon ordering, please specify: model, size, working pressure, thread and flange standard and type of liquid.

D-020 Non-Slam Single Orifice Add-on Component Data Table

Inlet Size	Discharge Orifice	Total NS Area	NS Orifice	Switching Point	Flow at 5.8 psi
2” - 8”	1.5 Inch	0.03 Sq.In.	0.2 Inch	Spring loaded Normally closed	10.3 CFM



D-020-NS

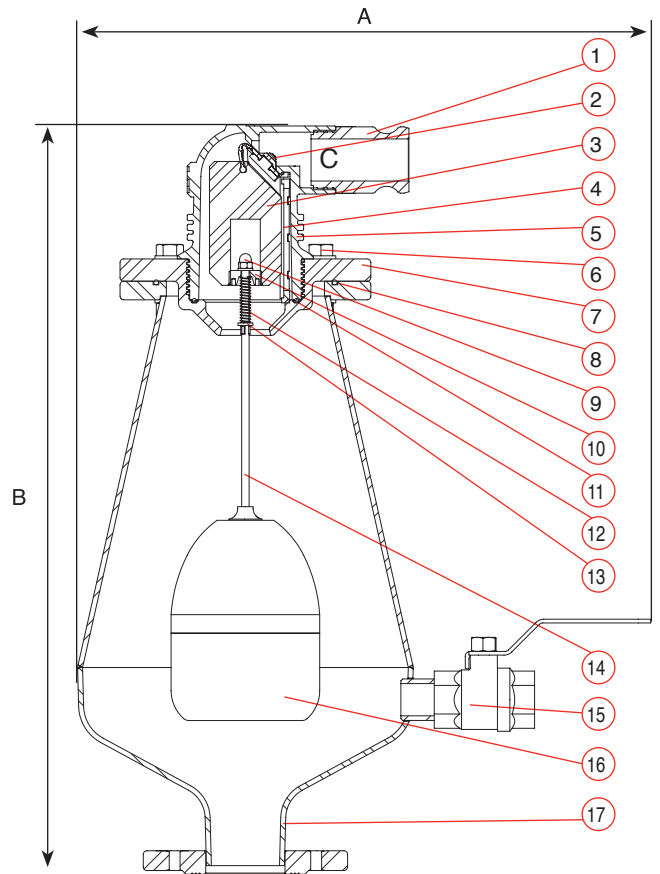
DIMENSIONS AND WEIGHTS

Inlet Size	Dimensions Inch		Connection C	Weight* Lbs. Steel	Orifice Area Sq.In.	
	A	B			A / V	Air Rel.
2" Threaded	18.1	25.4	Camlock 1½" NPT	36.4	1.25	0.018
2" Flanged	18.1	23.8	Camlock 1½" NPT	38.6	1.25	0.018
3" Threaded	18.1	25.4	Camlock 1½" NPT	38.8	1.25	0.018
3" Flanged	18.1	23.8	Camlock 1½" NPT	40.8	1.25	0.018
4" Flanged	18.1	23.8	Camlock 1½" NPT	43.0	1.25	0.018
6" Flanged	18.1	24.0	Camlock 1½" NPT	46.3	1.25	0.018
8" Flanged	18.1	24.0	Camlock 1½" NPT	52.9	1.25	0.018

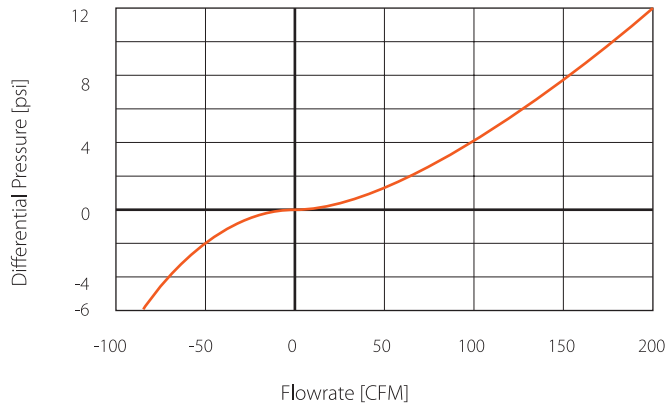
* Weights will vary according to differences in product materials.

PARTS LIST AND SPECIFICATION

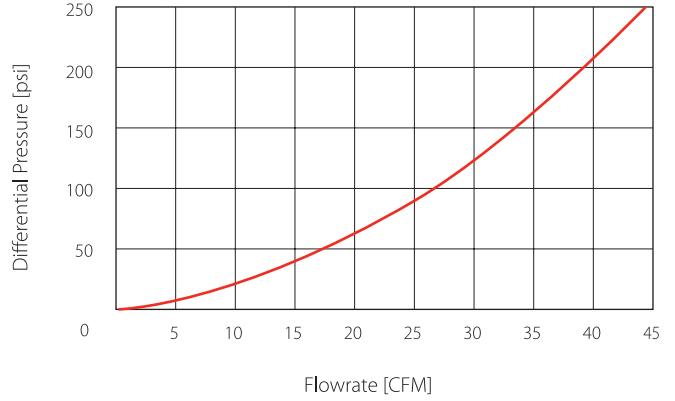
No	Part	Material
1.	Camlock Connection	Polypropylene
2.	D-020 Rolling Seal Assembly	Nylon + E.P.D.M. + ST ST
	D-020 LP	Nylon + Silicon + ST ST
3.	Float	Foamed Polypropylene
4.	Clamping Stem	Reinforced Nylon
5.	Body	Reinforced Nylon / ST ST SAE 316
6.	Bolt, Nut & Washer	Stainless Steel SAE 316
7.	Cover	Reinforced Nylon / ST ST SAE 316
8.	O-Ring	BUNA-N
9.	Domed Nut	Stainless Steel SAE 316
10.	Stopper	Polypropylene
11.	O-Ring	BUNA-N
12.	Spring	Stainless Steel SAE 316
13.	Washer	Stainless Steel SAE 316
14.	Stem	Stainless Steel SAE 316
15.	Ball Valve 1"	ST ST SAE 316
16.	Float	Polypropylene / ST ST SAE 316
17.	Body 2", 3"	Steel DIN St.37 / ST ST SAE 316 / Steel ASTM A216 WCB / ST ST ASTM A744 CF8M
	4", 8"	Steel DIN St.37 / ST ST SAE 316



AIR & VACUUM FLOWRATE



AIR RELEASE FLOW RATE



Pelmar Engineering Ltd.

Tel. (888) 754-6329, (416) 288-1736

E-mail: sales@pelmareng.com, www.pelmareng.com