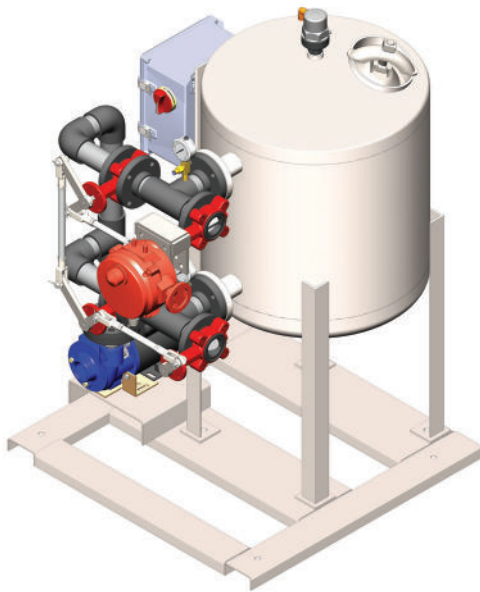


# HMF, SMF & BMF Media Filters

## Pre-engineered HVAC Filtration Solutions

Self-cleaning, packaged filter systems  
designed to save you time and money



flow rates

**17 - 1,006 gpm**

filtration degrees

**5 micron**

inlet/outlet diameter

**1.5" - 8"**

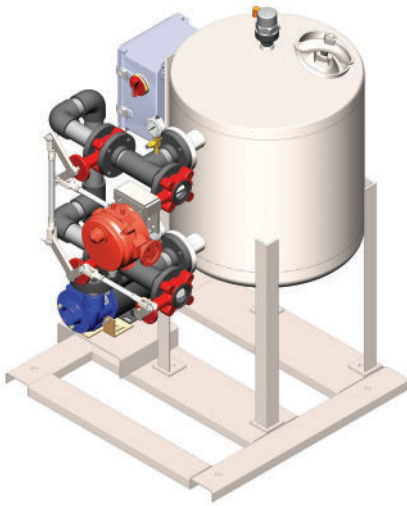
operating pressure

**100 psi (HMF)  
50 psi (SMF)  
150 psi (BMF)**

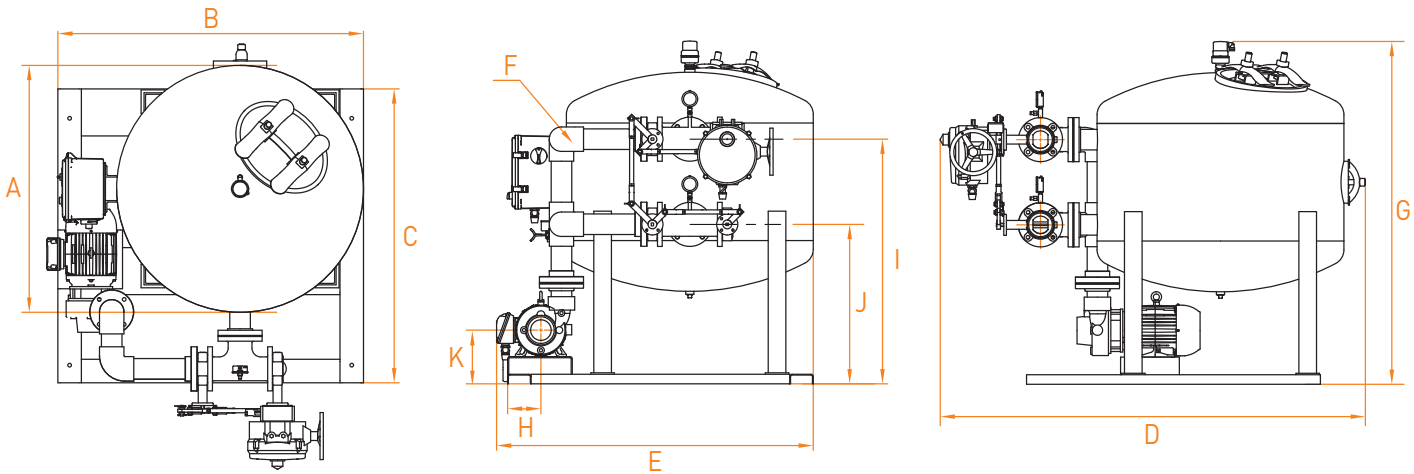
### features:

- Packaged, skid-mounted systems for easy plug-n-play installation
- Economical design
- Quick shipping for standardized packages
- Standard product submittals prepared and immediately available
- High quality, industrial grade components for long-term reliability
- Multiple offerings for a wide variety of applications
- Custom systems are available upon request

## HMF Series



Model	HMF-12	HMF-18	HMF-24	HMF-30	HMF-36	HMF-42	HMF-48
<b>General Specifications</b>							
Median flow rate	17 gpm	35 gpm	63 gpm	98 gpm	142 gpm	192 gpm	252 gpm
Tank diameter	12"	18"	24"	30"	36"	42"	48"
Surface area	0.78 ft. <sup>2</sup>	1.75 ft. <sup>2</sup>	3.14 ft. <sup>2</sup>	4.91 ft. <sup>2</sup>	7.07 ft. <sup>2</sup>	9.62 ft. <sup>2</sup>	12.57 ft. <sup>2</sup>
Pump HP	1	1	2	3	3	5	5
FLA (460)	1.45	1.45	2.7	3.67	3.67	5.9	5.9
Inlet to pump (FNPT)	1.5"	1.5"	1.5"	2.5"	2.5"	3"	3"
Face pipe	2"	2"	2"	2"	3"	3"	3"
Unifill 475	1	2	3	6	9	14	20
Unigrain 50	1	2	4	6	9	12	16
Media 0.5 ft. <sup>3</sup>							
Operating weight	668 lbs.	714 lbs.	1,076 lbs.	1,652 lbs.	2,315 lbs.	3,168 lbs.	4,123 lbs.



## Dimensions

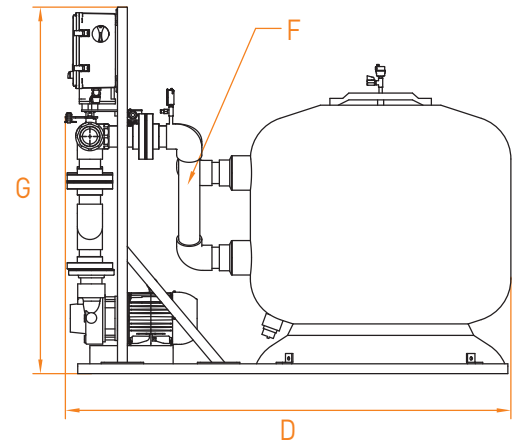
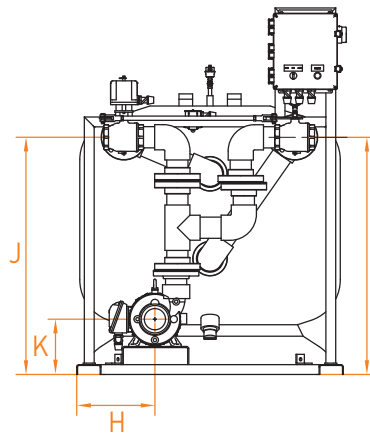
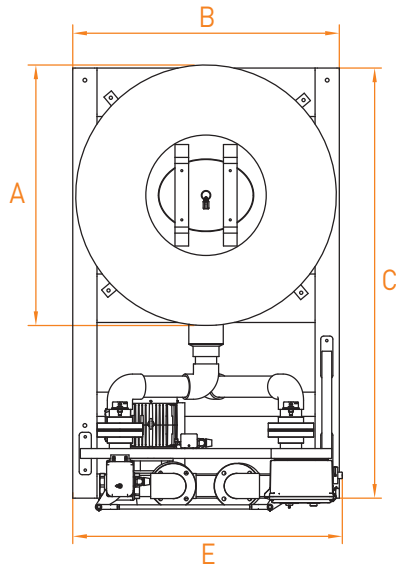
Model	HMF-12	HMF-18	HMF-24	HMF-30	HMF-36	HMF-42	HMF-48
A	12"	18"	24"	30"	36"	42"	48"
B	31"	31"	36"	41"	46"	52"	52"
C	30"	30"	34"	39"	45"	50"	54"
D	41.88"	42.88"	52.13"	58.13"	66.31"	72.31"	78.31"
E	34.88"	31"	37.06"	43.06"	48.13"	53.88"	58.13"
F	2"	2"	2"	2"	3"	3"	3"
G	47.5"	49"	55.25"	57.56"	57.25"	58.31"	59.31"
H	4"	5"	4"	5.5"	5.38"	5.69"	5.69"
I	34.13"	36.69"	42.19"	42.19"	41.63"	41.63"	41.63"
J	20.13"	20.56"	26.56"	26.56"	27.13"	27.13"	27.13"
K	8.81"	8.94"	8.81"	9.13"	9.13"	9.13"	9.13"

## SMF Series



Model	SMF2-20	SMF2-24	SMF2-30	SMF2-36	SMF2-42	SMF2-48
-------	---------	---------	---------	---------	---------	---------

General Specifications						
Median flow rate	43 gpm	63 gpm	98 gpm	142 gpm	192 gpm	252 gpm
Tank diameter	20"	24"	30"	36"	42"	48"
Surface area	2.18 ft. <sup>2</sup>	3.14 ft. <sup>2</sup>	4.91 ft. <sup>2</sup>	7.06 ft. <sup>2</sup>	9.61 ft. <sup>2</sup>	12.05 ft. <sup>2</sup>
Pump HP	1	2	3	3	5	5
FLA (460)	1.96	2.7	3.67	3.67	5.9	8.48
Inlet to pump (FNPT)	1.5 "	1.5 "	2.5"	2.5"	3"	3"
Face pipe	2"	2"	2"	3"	3"	3"
Unifill 475	-	-	-	10	15	16
Unigrain 50	4	5	8	9	12	18
Media	0.5 ft. <sup>3</sup>					
Operating weight	567 lbs.	722 lbs.	1,112 lbs.	1,840 lbs.	2,920 lbs.	4,272 lbs.



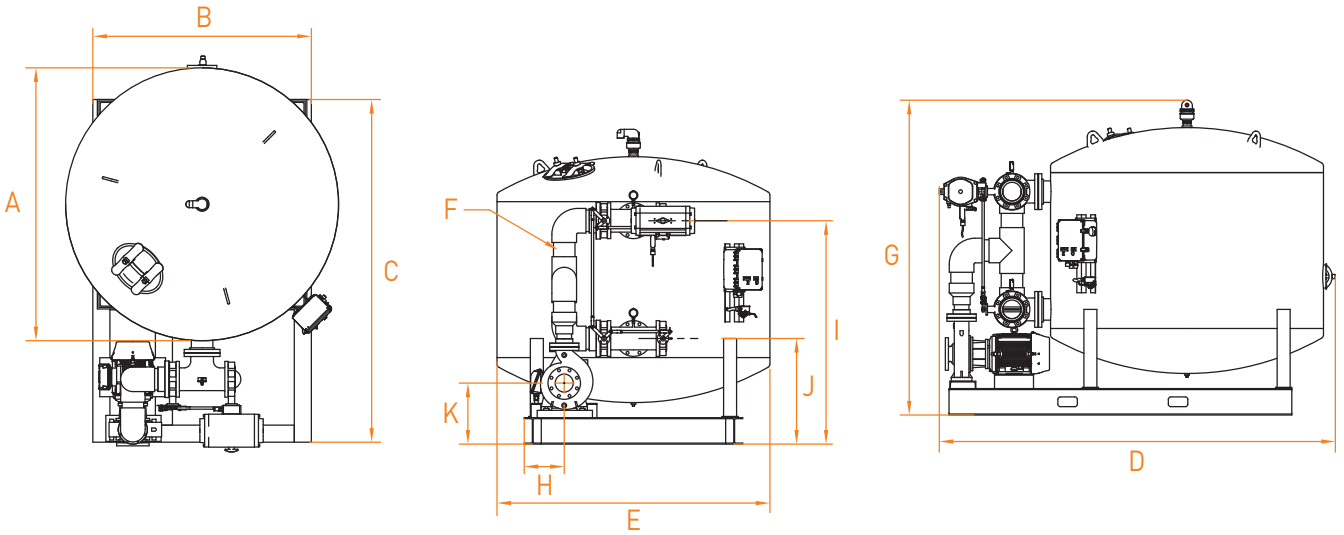
### Dimensions

Model	SMF2-20	SMF2-24	SMF2-30	SMF2-36	SMF2-42	SMF2-48
A	20"	24"	30"	36"	42"	48"
B	28"	28"	28"	38"	44"	44"
C	45"	45"	45"	56"	71"	71"
D	47.25"	48.06"	5.25"	63.87"	73.12"	78.69"
E	29.25"	29.25"	30.31"	38.5"	42"	48"
F	2"	2"	2"	3"	3"	3"
G	52.75"	52.75"	52.75"	60.5"	60.5"	60.5"
H	7.25"	7.19"	7.56"	11.44"	12.87"	12.87"
I	31.94"	31.94"	31.94"	39.19"	39.12"	39.12"
J	31.94"	31.94"	31.94"	39.19"	39.12"	39.12"
K	7.44"	7.44"	7.81"	9.12"	9.12"	9.12"

## BMF Series



Model	BMF-54	BMF-60	BMF-66	BMF-72	BMF-78	BMF-84	BMF-90	BMF-96
<b>General Specifications</b>								
Median flow rate	318 gpm	392 gpm	475 gpm	565 gpm	663 gpm	769 gpm	883 gpm	1,006 gpm
Tank diameter	54"	60"	66"	72"	78"	84"	90"	96"
Surface area	15.9 ft. <sup>2</sup>	19.6 ft. <sup>2</sup>	23.8 ft. <sup>2</sup>	28.3 ft. <sup>2</sup>	33.2 ft. <sup>2</sup>	38.5 ft. <sup>2</sup>	44.2 ft. <sup>2</sup>	50.3 ft. <sup>2</sup>
Pump HP	7.5	10	10	10	15	15	15	20
FLA [460]	8.48	11.8	12.5	12.5	17.5	17.5	17.8	24.3
Inlet to pump	3" (FNPT)	3" (FNPT)	5" (flange)	5" (flange)	5" (flange)	5" (flange)	6" (flange)	6" (flange)
Face pipe	4"	4"	4"	6"	6"	6"	6"	8"
Unifill 475	Media 0.5 ft. <sup>3</sup>	36	46	58	74	94	112	136
Unigrain 50		68	84	102	128	150	174	200
Operating weight	9,197 lbs.	11,287 lbs.	13,802 lbs.	17,704 lbs.	21,291 lbs.	24,559 lbs.	29,312 lbs.	37,501 lbs.



### Dimensions

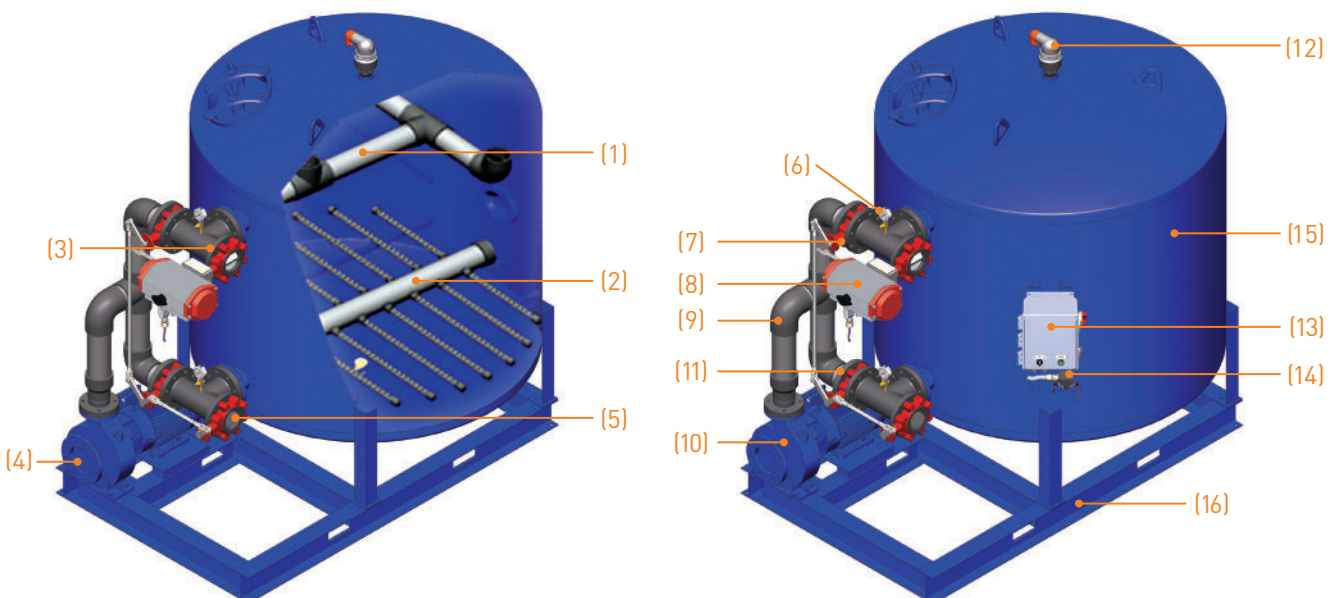
Model	BMF-54	BMF-60	BMF-66	BMF-72	BMF-78	BMF-84	BMF-90	BMF-96
A	54"	60"	66"	72"	78"	84"	90"	96"
B	42.87"	50.87"	50.87"	57.5"	63"	67.25"	70.5"	78"
C	70"	77"	82"	95.25"	100.5"	105.5"	112"	122"
D	87.31"	93.31"	99.31"	110.06"	111.06"	121.81"	128.06"	135.56"
E	56.37"	61.31"	66.44"	72"	78"	84"	90"	96"
F	4"	4"	4"	6"	6"	6"	6"	8"
G	85.81"	87.75"	88.69"	95.19"	96.12"	96.94"	97.94"	108.56"
H	1.75"	5.75"	8.69"	7.44"	10.19"	12.31"	12.25"	13.37"
I	62.37"	63.5"	62.5"	68.75"	68.75"	68.75"	68.75"	78.12"
J	26.12"	27.25"	27.25"	32.5"	32.5"	32.5"	32.5"	36.87"
K	13"	13.75"	13"	18.75"	18.75"	18.81"	20.12"	20"

## Filter Operation

Water from the system is pumped through the over-drain assembly at the top of the filter tank and distributed evenly over the media (media not shown in image below). Unfiltered water flows downward through the filter media where suspended particles are trapped. The filtered water then passes through the vessel and out the under-drain assembly at the bottom of the filter and returns to the system. Precision slots cut in the under-drain prevent the passage of media to the outlet. When the trapped particles cause the pressure differential across the media bed to reach a pre-determined pressure (approximately 16 psi), flow is reversed through the tank by repositioning the valves. The media is backwashed with a rigorous scouring action, releasing trapped particles within the media. The dirty water passes from the filter vessel through the over-drain assembly at the top of the vessel and flows to drain. After the backwash cycle, the filter valves are again repositioned and the filtration cycle is resumed. The filter uses system water for backwash. The mechanical nature of the system guarantees an immediate improvement in water quality.

## Standard Package Components

1. Over-drain assembly
2. Under-drain assembly
3. Waste outlet
4. Inlet
5. Outlet
6. Pressure gauges, 2.5" 0 - 100 psi
7. Mechanically linked valves
8. Electrically actuated ball valves (SMF), pneumatically (BMF) and electrically (HMF) actuated butterfly valve
9. PVC Schedule 80 face piping
10. Cast iron pump, standard fitted, end suction, centrifugal, with TEFC close-coupled motor
11. System water backwash
12. Air release valve
13. NEMA 4X control panel enclosure, UL certified, 460V AC, 3-PH, 60 Hz
14. Differential pressure switch
15. Media: 1/4" x 1/8" gravel and 0.5 quartz sand
16. C-channel 304 stainless steel skid (SMF & HMF), epoxy coated carbon steel I-beam skid (BMF)



[www.pepfilters.com](http://www.pepfilters.com)



120-J Talbert Road, Mooresville, NC 28117-7119 | 800-243-4583 | [www.pepfilters.com](http://www.pepfilters.com)

**Copyright © 2017 PEP Filters Inc. All rights reserved.** The contents of this catalogue including without limitation all information and materials, images, illustrations, designs, icons, photographs, graphical presentations, designs, literary works, data, drawings, slogans, phrases, names, trademarks, titles and any other such materials that appear in this catalogue (collectively, the "Contents") are the sole property or were duly licensed to PEP Filters Inc. ("PEP"). PEP has sole and exclusive right, title and interest in the Contents, including any intellectual property rights, whether registered or not, and all know-how contained or embodied therein. You may not reproduce, publish, transmit, distribute, display, modify, create derivative works from, sell or participate in any sale of, or exploit in any way, in whole or in part, any of the Contents or the catalogue. Any use of the catalogue or the Contents, other than for personal use, requires the advanced written permission of PEP.