

# BMB SERIES

## Multi-Bag Filter Housings

- Multi-Bag Filter Housing
- ASME Design/Industrial Design
- Universal

Multi-purpose industrial design non-code and ASME "U" code housings.



### SUITABLE USES



Air & Gas



Desalination



Coolant



Water



Electronics



Coatings



Oil & Gas



Chemical



Pulp & Paper



Power



Marine



Equipment

**MEDIA** Accepts multiple double length (P2) bags.

**DESIGN PRESSURE** 150psig (10.3bar) @ 400 F (204.4 C)

**AVAILABLE MATERIALS** Vessels available in carbon or stainless steel 304 or 316. Also available in LDX2101, C276, AL6XN, 2205, 2507, and Monel 400.

**ADDITIONAL FEATURES** BMB housings allow for easy filter bag removal and do not require ladders or platforms to change the filter bags. Swing bolt closure allows for quick bag change out.

*Custom sizes, configurations, materials of construction and other options may be available. Please contact Fil-Trek*

*For drawings, flow charts, custom applications and filter cartridge information please visit [Fil-Trek.com](http://Fil-Trek.com)*

# BMB SERIES

## Multi-Bag Filter Housings

- Multi-Bag Filter Housing
- ASME Design/Industrial Design
- Universal



## HOUSING SPECIFICATIONS

<b>Inlet/Outlet</b>	<b>2" Flange -18" Flange</b>
<b>Dirty Drain</b>	<b>½" NPT</b>
<b>Clean Drain</b>	<b>2" NPT</b>
<b>Vent</b>	<b>½" NPT</b>
<b>Gauges</b>	<b>½" NPT</b>
<b>Basket</b>	<b>1/8" on 3/16" perforated plate</b> *Other basket options available.
<b>Certifications</b>	<b>U, UM, CE, NB, CRN</b>

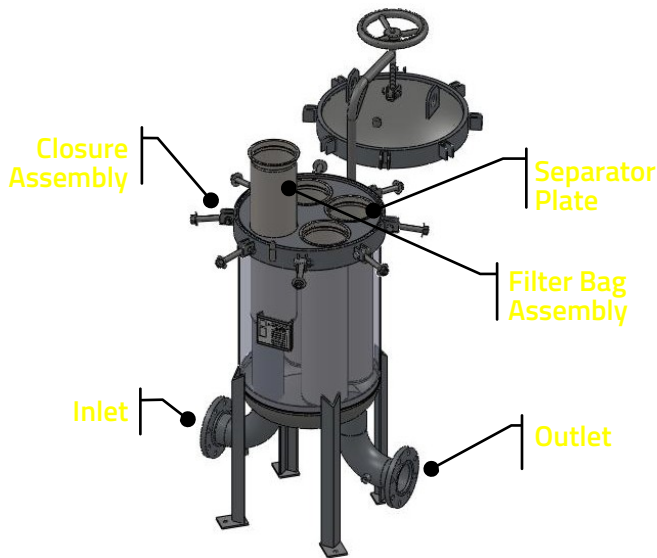
## MODEL FLOW RATES

MODEL	# OF FILTERS	FLOW RATE GPM	STD INLET / OUTLET
BMB18	3	375	4"
BMB22	4	500	6"
BMB26	7	875	6"
BMB30	9	1125	8"
BMB34	12	1500	8"
BMB38	15	1875	10"
BMB42	19	2375	12"
BMB46	24	3000	12"
BMB50	28	3500	14"
BMB54	34	4250	14"
BMB58	40	5000	14"

Flow rates are based on water at 125gpm per bag, using 10 micron single layer filter bags with a clean pressure drop of 2psi. When operating using baskets only, each basket can flow up to 200gpm. Actual flow rates are dependent on fluid viscosity, bag micron rating, type of filter bag, and contaminant. Please contact Fil-Trek for assistance with sizing.

## MATERIAL OF CONSTRUCTION

MATERIAL OF CONSTRUCTION	MAX. OPERATING PRESSURE	MAX. DESIGN TEMP
304 Stainless Steel	150 psig (10.3bar)	400 F (204.4 C)



# BMB SERIES

## Multi-Bag Filter Housings

- Multi-Bag Filter Housing
- ASME Design/Industrial Design
- Universal



## HOUSING OPTIONS

\*Indicates standard configuration

**Basket** (-) – 1/8" on 3/16" perforated basket\*  
**Options** MB\_\_ - Mesh lined basket (insert mesh size in open space)

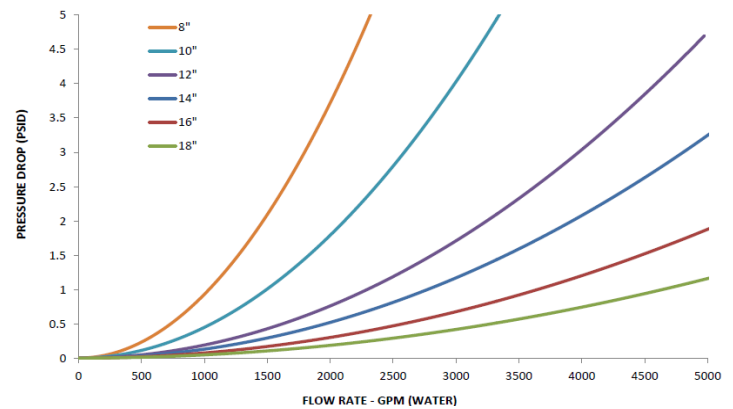
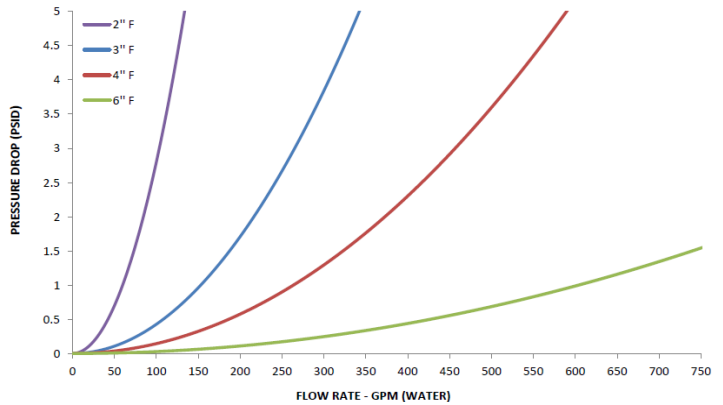
**Finish** (-) – External paint "National Blue"\*  
**Options** for carbon steel housings  
 (-) – Bead Blast\* for stainless steel  
 304 and 316)  
 EP1 – Electro polish Inside/Outside  
 EP2 – Inside only  
 EP3 – Outside only  
 PP – Passivation

**O-Ring** (-) – BUNA-N\*  
**Options** ED – EPDM  
 VI – Viton  
 SI – Silicone  
 TEV – Teflon encapsulated Viton

**Head Lift** (-) – K1 – Head lift (standard 18" +)\*  
**Options** K2 – Hinge (standard 16")\*  
 K3 – Hydraulic Jack Davit Side  
 K4 – Hydraulic Jack Davit Top

**Accessories** Direct Reading Gauge  
 DP Gauge  
 Safety Relief Valves  
 Vent Valves  
 Drain Valves  
 Air Eliminator  
 Omega Springs  
 Balloon/Liquid Displacer  
 Bag Magnets

## FLOW CHART



# BMB SERIES

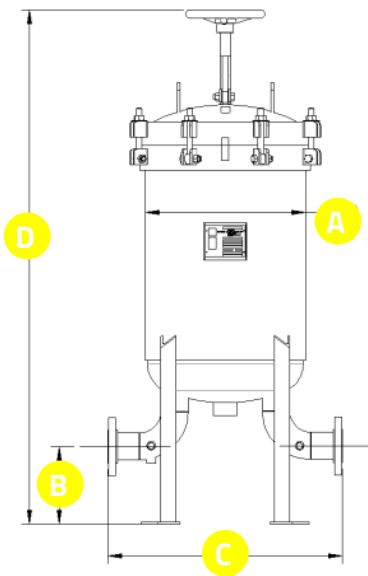
## Multi-Bag Filter Housings

- Multi-Bag Filter Housing
- ASME Design/Industrial Design
- Universal



### CHART LEGEND

- A** OUTSIDE DIAMETER
- B** FLOOR TO INLET
- C** FACE TO FACE
- D** OVERALL HEIGHT



### MODEL DIMENSIONAL DETAILS

MODEL	SHIPPING WEIGHT (LBS)	A	B	C	D
BMB18	425	18"	8"	26"	64"
BMB22	625	22"	8"	32"	68"
BMB26	775	26"	8"	34"	72"
BMB30	1025	30"	10"	40"	78"
BMB34	1375	34"	10"	42"	80"
BMB38	1625	38"	12"	48"	86"
BMB42	2225	42"	12"	56"	82"
BMB46	2450	46"	12"	54"	86"
BMB50	3150	50"	14"	62"	92"
BMB54	3600	54"	14"	64"	96"
BMB58	4000	58"	14"	68"	98"

Dimensions above are based on standard configuration 'A'. Contact factory for weights and dimensions for all other model configurations

### PRODUCT NOMENCLATURE

S6	BMB	18	3	12	6F	-
MOC	MODEL	HOUSING DIAMETER	# OF BAGS	BAG LENGTH	CONNECTION TYPE	OPTIONS
(-) – CARBON S4 – SS304 S6 – SS316	BMB – ASME CODE EBMB – NON ASME	See Table	See table	12 – Size 2	See Table	See Housing Options



55 Stafford Court, Cambridge, ON N1T 1B3 P (519) 623-7448 F (519) 623-8807

For more information, e-mail: [info@fil-trek.com](mailto:info@fil-trek.com) or visit [Fil-Trek.com](http://Fil-Trek.com)