

Design Features:

- Standard sizes from 2" - 24". Larger sizes available upon request.
- Available with RF or RTJ flanged (ASME B16.5) or Buttweld (ASME B16.9) end connections.
- Standard thru bolt cover design.
- Custom designs are available.
- Perforated screens are standard.
- May be installed in horizontal pipelines.
- All welders are qualified to ASME Section IX.
- Strainers designed to meet the requirements of ASME B31.1, ASME B31.3 and/or ASME Section VIII, Div. 1.
- Drain is standard and is complete with plug.
- Vents, differentials and special covers are optional.

Pars List and Standard Materials

Part	Carbon Steel	Low Temp. Carbon Steel (-50° F)	Stainless Steel ¹
Shell	A53 E/B / A106-B	A333-6	A312
Nozzles	A53 E/B / A106-B	A333-6	A312
Reinforcement Pads ³	A516-70	A516-70	A240
Flanges	A105	A350-LF2	A182
Heads	A234-WPB / A516-70	A420-WPL6	A403-WVP
Coupling/threadolets	A105	A350-LF2	A182
Plug	A105	A350-LF2	A182
Basket ²	304 SS	304 SS	304 SS
Gasket ²	304 SS Spiral Wound	304 SS Spiral Wound	304 SS Spiral Wound
Stud	A193-B7	A193-B7	A193-B8-1
Nut	A194-2H	A194-2H	A194-8

Notes: 1. 304SS strainers use 304 grade material. 316SS strainers use 316 grade material. Dual rated material may be used.

2. Recommended Spares.

3. When required and when used.

4. NACE MR01-75 qualification available upon request. Material specifications will change.

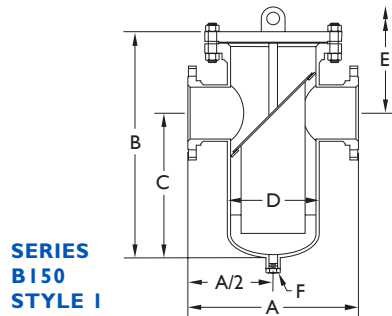
5. For strainers designed to ASME Section VIII, Div. 1 the "A" designation becomes "SA".

Upper Pressure Limits (Non-Shock) and Lower Temperature Limits (Unless otherwise specified)

IFC Model (Flanged)	Body Material	Maximum Design Pressure at 100.°F psig (Bars) ¹	Lower Temperature Limit - M.D.M.T. °F (°C)
B150FSBW	Carbon Steel	285 (19.65)	-20 (-28.9)
B150FLCBW	Low Temp. Carbon Steel	285 (19.65)	-50 (-45.6)
B150FSS4BW / B150FSS6BW	304 / 316 SS	275 (18.96)	-20 (-28.9) Optional -425 (-253.9)
B150FSS4LBW / B150FSS6LBW	304L / 316L SS	230 (15.86)	-20 (-28.9) Optional -425 (-253.9)
B300FSBW	Carbon Steel	740 (51.02)	-20 (-28.9)
B300FLCBW	Low Temp. Carbon Steel	740 (51.02)	-50 (-45.6)
B300FSS4BW / B300FSS6BW	304 / 316 SS	720 (49.64)	-20 (-28.9) Optional -425 (-253.9)
B300FSS4LBW / B300FSS6LBW	304L / 316L SS	600 (41.37)	-20 (-28.9) Optional -425 (-253.9)
B600FSBW	Carbon Steel	1480 (102.04)	-20 (-28.9)
B600FLCBW	Low Temp. Carbon Steel	1480 (102.04)	-50 (-45.6)
B600FSS4BW / B600FSS6BW	304 / 316 SS	1440 (99.28)	-20 (-28.9) Optional -425 (-253.9)
B600FSS4LBW / B600FSS6LBW	304L / 316L SS	1200 (82.74)	-20 (-28.9) Optional -425 (-253.9)

Notes: 1. All strainers will be designed to the maximum design pressure at 100°F unless an alternative design pressure / temperature combination is specified. In many cases a cost savings will result if lower design pressures are acceptable.

2. Lower and higher M.D.M.T.s are available upon request.



Standard Screens

Series B150 — Style I

Size Range	Opening
2" - 8" (50mm - 200mm)	0.125 in. (3.2mm)
10" - 12" (250mm - 300mm)	0.125 in. (3.2mm)
14" - 24" (250mm - 600mm)	0.188 in. (4.8mm)

Dimensional Data

Size in. (mm)	A in. (mm)	B in. (mm)	C in. (mm)	D in. (mm)	E in. (mm)	F in. (mm)	Weight Lb. (kg.)	Unit
2"	12.75	18.63	11.13	6.63	25.00	1/2	26 (12)	85 (39)
50	324	473	283	168	635	15		
3"	14.00	20.50	12.50	8.63	28.50	3/4	45 (20)	140 (63)
80	356	521	318	219	724	20		
4"	16.00	22.25	14.00	8.63	30.50	1	45 (20)	145 (66)
100	406	565	356	219	775	25		
5"	18.00	24.25	17.00	10.75	30.50	1	70 (32)	160 (72)
125	457	616	432	273	775	25		
6"	20.00	26.50	17.00	10.75	36.00	1	70 (32)	205 (93)
150	508	673	432	273	914	25		
8"	22.00	32.00	21.00	12.75	43.00	1 1/2	110 (50)	420 (190)
200	559	813	533	324	1092	40		
10"	32.00	41.50	25.00	16.00	58.00	1 1/2	180 (82)	650 (294)
250	813	1054	635	406	1473	40		
12"	35.00	44.75	28.00	18.00	61.50	1 1/2	220 (100)	1205 (546)
300	889	1137	711	457	1562	40		
14"	37.00	48.75	33.00	20.00	64.50	2	285 (129)	1600 (725)
350	940	1238	838	508	1638	50		
16"	42.00	54.25	36.00	24.00	72.50	2	430 (195)	1965 (890)
400	1067	1378	914	610	1842	50		
18"	46.50	60.00	40.00	24.00	80.00	2	430 (195)	2200 (997)
450	1181	1524	1016	610	2032	50		
20"	52.00	68.00	46.00	30.00	90.00	2	965 (437)	3200 (1450)
500	1321	1727	1168	762	2286	50		
24"	64.00	82.75	55.00	36.00	110.50	2	1540 (698)	4500 (2039)
600	1626	2102	1397	914	2807	50		

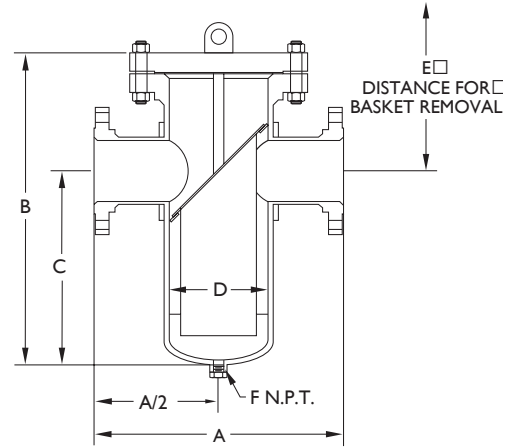
- Notes:**
1. Vents and Differentials are optional.
 2. Cover lifting lug standard on sizes 10" and larger.

- General:**
1. For further optional features see pages 21-22.
 2. Other perforations and screen materials available. Please see page 24.

3. For pressure loss information see page 25.
4. For ordering information please see page 38.
5. Dimensions shown are subject to change. Contact factory for certified prints when required.

Standard Screens

Size Range	Opening	Gauge Thickness
2" - 8" (50mm - 200mm)	0.125 in. (3.2mm)	22
10" - 12" (250mm - 300mm)	0.125 in. (3.2mm)	16
14" - 16" (350mm - 400mm)	0.188 in. (4.8mm)	11



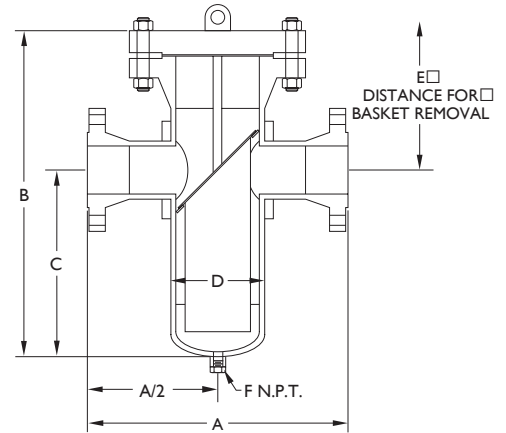
Dimensional Data

Size in. (mm)	A in. (mm)	B in. (mm)	C in. (mm)	D in. (mm)	E in. (mm)	F in. (mm)	Weight Lb. (kg)	Cover Unit
2"	14.88	20.00	12.00	6.63	28.00	1/2	50	195
50	378	508	305	168	711	15	23	89
3"	16.50	25.00	15.75	8.63	34.25	3/4	81	250
80	419	635	400	219	870	20	37	114
4"	18.63	26.00	15.88	8.63	36.13	1	81	300
100	473	660	403	219	918	25	37	136
5"	20.25	28.00	17.13	10.75	38.88	1	125	400
125	514	711	435	273	987	25	57	182
6"	24.50	30.75	19.13	10.75	42.38	1	125	480
150	622	781	486	273	1076	25	57	218
8"	24.88	35.50	22.00	12.75	55.75	1 1/2	185	681
200	632	902	559	324	1416	40	84	310
10"	35.38	42.50	27.25	16.00	57.25	1 1/2	295	1100
250	899	1080	692	406	1454	40	134	500
12"	39.38	47.75	30.38	18.00	65.12	1 1/2	395	1650
300	1000	1213	772	457	1654	40	179	750
14"	41.50	52.50	33.00	20.00	72.00	2	505	2600
350	1054	1334	838	508	1829	50	229	1182
16"	47.50	60.00	38.88	24.00	81.13	2	790	2750
400	1207	1524	988	610	2061	50	358	1250

- Notes:**
1. Vents and differentials are optional.
 2. Cover lifting lug standard on sizes 8" and larger.

Standard Screens

Size Range	Opening	Gauge Thickness
2" - 8" (50mm - 200mm)	0.125 in. (3.2mm)	22
10" - 12" (250mm - 300mm)	0.125 in. (3.2mm)	16
14" - 16" (350mm - 400mm)	0.188 in. (4.8mm)	11



Dimensional Data

Size in. (mm)	A in. (mm)	B in. (mm)	C in. (mm)	D in. (mm)	E in. (mm)	F in. (mm)	Weight Lb. (kg) Cover	Unit
2"	18.38	21.88	12.00	6.63	31.75	1/2	86	245
50	467	556	305	168	806	15	39	111
3"	23.88	26.50	15.75	8.63	37.25	3/4	140	360
80	606	673	400	219	946	20	64	164
4"	23.88	29.00	17.38	8.63	44.63	1	140	400
100	606	737	441	219	1133	25	64	182
5"	28.13	32.13	19.13	10.75	45.13	1	230	750
125	714	816	486	273	1146	25	105	341
6"	29.88	36.25	21.38	10.75	51.13	1	230	825
150	759	921	543	273	1299	25	105	375
8"	37.00	38.75	23.38	12.75	54.13	1 1/2	295	1200
200	940	984	594	324	1375	40	134	545
10"	42.50	47.25	27.25	16.00	68.25	1 1/2	495	1600
250	1080	1200	692	406	1708	40	225	727
12"	44.00	53.25	30.38	18.00	76.13	1 1/2	630	1800
300	1118	1353	772	457	1934	40	286	818
14"	46.00	60.00	35.13	20.00	84.88	2	810	3000
350	1168	1524	892	508	2156	50	367	1364
16"	54.00	70.00	42.25	24.00	97.75	2	1250	3200
400	1372	1778	1073	610	2483	50	567	1455

Notes: 1. Vents and differentials are optional.

2. Cover lifting lug standard on sizes 6" and larger.

General:

1. For further optional features see pages 21-22.
 2. Other perforations and screen materials available. Please see page 24.

3. For pressure loss information see page 25.
 4. For ordering information please see page 38.
 5. Dimensions shown are subject to change. Contact factory for certified prints when required.