

## Cover Type C - Quick Opening C-Clamp

### Design Features:

- Ideal for low pressure applications.
- Allows for extremely quick access to strainer basket.
- To be used on non-lethal liquid service only.

Availability	
Size Range	Available Body Material
1/2" - 12"	A126-B, B62, A216-WCB,
15mm - 300mm	A351-CF8M

Upper Pressure Limits (Non-Shock)	
M.A.W.P. psig (Bars)	Maximum Allowable Working Temp. °F (°C)
50 (3.44)	100 (37.8)

Parts List and Standard Materials		
Item	Part	Specification
1	Clamp Bolt <sup>2</sup>	A449 Grade 5
2	Clamp	A516-70 Carbon Steel
3	Anti-Rotating Stud <sup>2</sup>	A307-B
4	Gasket <sup>1</sup>	See below

**Notes:** 1. Recommended Spares.  
2. Materials of equivalent strength may be substituted at manufacturer's option.

Gasket Materials Utilized	
Size Range	Gasket Type
1/2" - 6"	Flat Rubber
15mm - 150mm	(Non-asbestos)
8" - 12"	Buna-N O-Ring
200mm - 300mm	(Groove in Cover)

### CAUTION:

This type of closure does not meet the requirements of Section UG-35.2 of ASME Section VIII, Div.1. Use caution when using this type of device.

## Cover Type R - Rotating Cover

### Design Features:

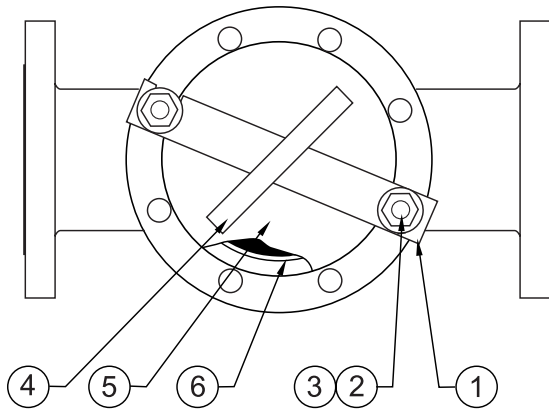
- Used for medium pressure applications.
- Easy maintenance and quick-opening.

Availability	
Size Range	Available Body Material
1/2" - 3"	A126-B, B62, A216-WCB,
15mm - 80mm	A351-CF8M

Upper Pressure Limits (Non-Shock)		
Strainer Body Material	M.A.W.P. psig (Bars)	Maximum Allowable Working Temp. °F (°C)
A126-B	200 (13.79)	100 (37.8)
B62	225 (15.51)	100 (37.8)
A216-WCB	285 (19.65)	100 (37.8)
A351-CF8M	275 (18.96)	100 (37.8)

Upper Pressure Limits (Non-Shock)			
Item	Part	Strainer Body Material	Material
1	Cover	A516-70	A240-304
2	Positioning Stud <sup>2</sup>	Steel	Stainless Steel
3	Cover Stud <sup>2</sup>	A193-B7	A193-B8-1
4	Cover Nut <sup>2,3</sup>	A194-2H	A194-8
5	Gasket <sup>1,4</sup>	Flat Rubber	Flat EPDM

**Notes:** 1. Recommended Spares.  
2. Materials of equivalent strength may be substituted at manufacturer's option.  
3. Quick release knobs are available. Contact factory.  
4. Other gasket types are available. Contact factory.



## Cover Type Y - Swing Yoke

### Design Features:

- Used for medium pressure applications.
- Easy maintenance and quick-opening.

Availability	
Size Range	Available Body Material
3" - 8"	A126-B, B62, A216-WCB,
80mm - 200mm	A351-CF8M

Upper Pressure Limits (Non-Shock)		
Strainer Body Material	M.A.W.P. psig (Bars)	Maximum Allowable Working Temp. °F (°C)
A126-B	125 (8.62)	100 (37.8)
B62	125 (8.62)	100 (37.8)
A216-WCB	150 (10.34)	100 (37.8)
A351-CF8M	150 (10.34)	100 (37.8)

**Notes:** 1. Sizes 6" and 8" rated for 100 psig maximum.

Parts List and Standard Materials			
Item	Part	Strainer Body Material A126-B, WCB	Material B62, CF8M
1	Clamp	A516-70	A240-304
2	Body Bolt <sup>2</sup>	A193-B7	A193-B8-1
3	Body Nut <sup>2</sup>	A194-2H	A194-8
4	Clamp Bolt <sup>2</sup>	A449 Grade 5	18-8 Stainless Steel
5	Cover	A126-B, WCB	B62, CF8M
6	Gasket <sup>1,3,4</sup>	Buna-N O-Ring	Viton O-Ring

- Notes:** 1. Recommended Spares.  
 2. Materials of equivalent strength may be substituted at manufacturer's option.  
 3. Other O-Ring materials are available. Contact factory.  
 4. O-Ring groove is located in cover.