

Cover Type C - Quick Opening C-Clamp

Design Features:

- Ideal for low pressure applications.
- Allows for extremely quick access to strainer basket.
- To be used on non-lethal liquid service only.

Availability	
Size Range	Available Body Material
1/2" - 12"	A126-B, B62, A216-WCB,
15mm - 300mm	A351-CF8M

Upper Pressure Limits (Non-Shock)	
M.A.W.P. psig (Bars)	Maximum Allowable Working Temp. °F (°C)
50 (3.44)	100 (37.8)

Parts List and Standard Materials		
Item	Part	Specification
1	Clamp Bolt ²	A449 Grade 5
2	Clamp	A516-70 Carbon Steel
3	Anti-Rotating Stud ²	A307-B
4	Gasket ¹	See below

Notes: 1. Recommended Spares.
2. Materials of equivalent strength may be substituted at manufacturer's option.

Gasket Materials Utilized	
Size Range	Gasket Type
1/2" - 6"	Flat Rubber
15mm - 150mm	(Non-asbestos)
8" - 12"	Buna-N O-Ring
200mm - 300mm	(Groove in Cover)

CAUTION:

This type of closure does not meet the requirements of Section UG-35.2 of ASME Section VIII, Div.1. Use caution when using this type of device.

Cover Type R - Rotating Cover

Design Features:

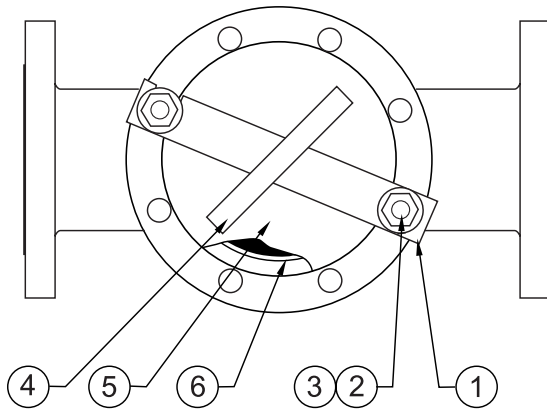
- Used for medium pressure applications.
- Easy maintenance and quick-opening.

Availability	
Size Range	Available Body Material
1/2" - 3"	A126-B, B62, A216-WCB,
15mm - 80mm	A351-CF8M

Upper Pressure Limits (Non-Shock)		
Strainer Body Material	M.A.W.P. psig (Bars)	Maximum Allowable Working Temp. °F (°C)
A126-B	200 (13.79)	100 (37.8)
B62	225 (15.51)	100 (37.8)
A216-WCB	285 (19.65)	100 (37.8)
A351-CF8M	275 (18.96)	100 (37.8)

Upper Pressure Limits (Non-Shock)			
Item	Part	Strainer Body A126-B, WCB	Material B62, CF8M
1	Cover	A516-70	A240-304
2	Positioning Stud ²	Steel	Stainless Steel
3	Cover Stud ²	A193-B7	A193-B8-I
4	Cover Nut ^{2,3}	A194-2H	A194-8
5	Gasket ^{1,4}	Flat Rubber	Flat EPDM

Notes: 1. Recommended Spares.
2. Materials of equivalent strength may be substituted at manufacturer's option.
3. Quick release knobs are available. Contact factory.
4. Other gasket types are available. Contact factory.



Cover Type Y - Swing Yoke

Design Features:

- Used for medium pressure applications.
- Easy maintenance and quick-opening.

Availability	
Size Range	Available Body Material
3" - 8"	A126-B, B62, A216-WCB,
80mm - 200mm	A351-CF8M

Upper Pressure Limits (Non-Shock)		
Strainer Body Material	M.A.W.P. psig (Bars)	Maximum Allowable Working Temp. °F (°C)
A126-B	125 (8.62)	100 (37.8)
B62	125 (8.62)	100 (37.8)
A216-WCB	150 (10.34)	100 (37.8)
A351-CF8M	150 (10.34)	100 (37.8)

Notes: 1. Sizes 6" and 8" rated for 100 psig maximum.

Parts List and Standard Materials			
Item	Part	Strainer Body Material A126-B, WCB	Material B62, CF8M
1	Clamp	A516-70	A240-304
2	Body Bolt ²	A193-B7	A193-B8-1
3	Body Nut ²	A194-2H	A194-8
4	Clamp Bolt ²	A449 Grade 5	18-8 Stainless Steel
5	Cover	A126-B, WCB	B62, CF8M
6	Gasket ^{1,3,4}	Buna-N O-Ring	Viton O-Ring

- Notes:** 1. Recommended Spares.
 2. Materials of equivalent strength may be substituted at manufacturer's option.
 3. Other O-Ring materials are available. Contact factory.
 4. O-Ring groove is located in cover.