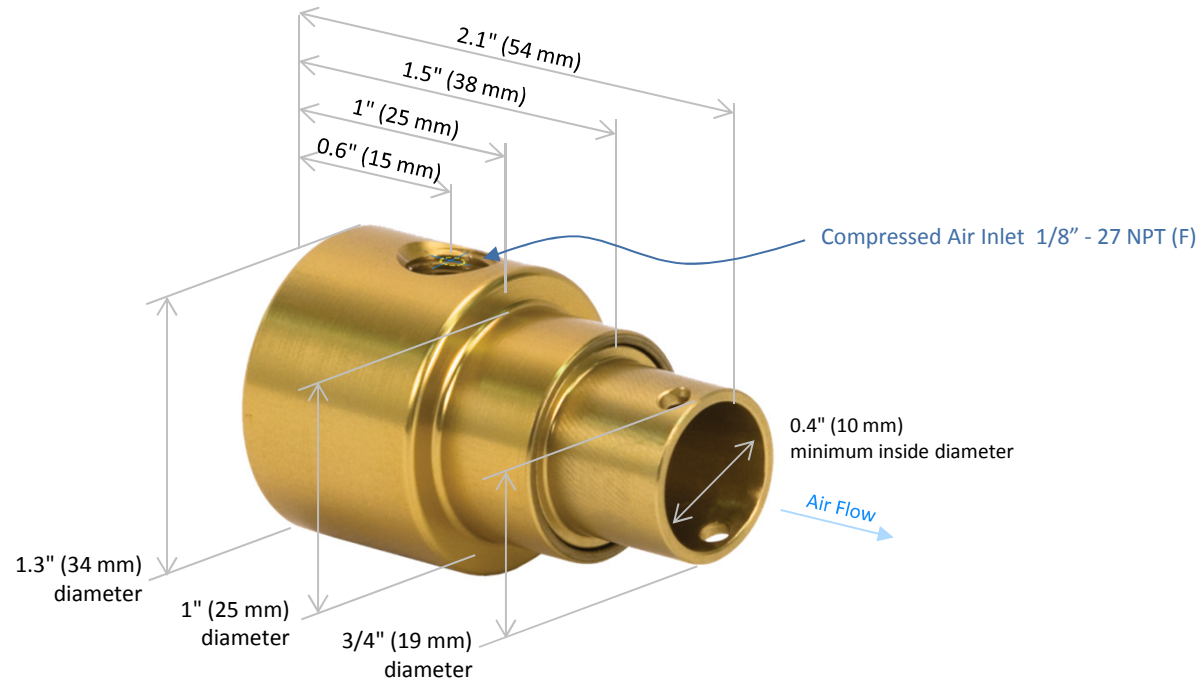


Transvector Jet

Model 901A



SPECIFICATIONS													
Product	Application	Thrust Power*		Air Stream Size				Suction Inlet		Outlet		Weight	
				At Outlet		12" (305 mm) from outlet							
		Oz at 12"	Grams-f at 30 mm	inch	mm	inch	mm	inch	mm	inch	mm	oz	g
901A	Air Amplifier	6	170	0.625	16	3.3	83	1.3	34	0.75	19	2.4	70

Note: Specifications are for 100 psig (6.9 bar) compressed air.

*Output thrust and air consumption specs are for standard shim sizes. Output thrust can be varied by changing or adding an internal shim. Larger shims give more blow off force and greater air consumption. Contact Vortec for details on alternate shims.



Pelmar Engineering Ltd.
 Tel. (888) 754-6329, (416) 288-1736
 E-mail: sales@pelmareng.com
 Web site: www.pelmareng.com