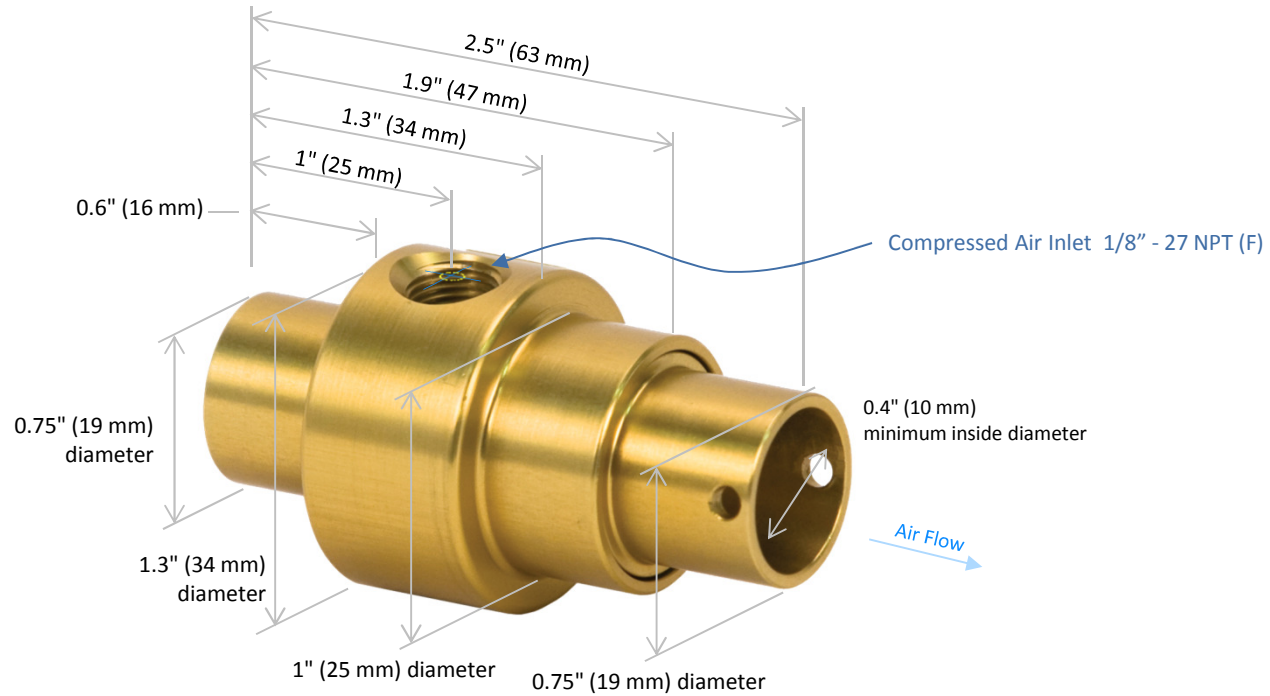




# Transvector Jet

Model 901BA



## SPECIFICATIONS

Product	Application	Thrust Power*		Air Stream Size				Suction Inlet		Outlet		Weight	
				At Outlet		12" (305 mm) from outlet		inch	mm	inch	mm	oz	g
		Oz at 12"	Grams-f at 30 mm	inch	mm	inch	mm	inch	mm	inch	mm	oz	g
901BA	Conveying	6	170	5/8	16	3.3	83	0.75	19	0.75	19	2.4	70

Note: Specifications are for 100 psig (6.9 bar) compressed air.

\*Output thrust and air consumption specs are for standard shim sizes. Output thrust can be varied by changing or adding an internal shim. Larger shims give more blow off force and greater air consumption. Contact Vortec for details on alternate shims.



**Pelmar Engineering Ltd.**  
 Tel. (888) 754-6329, (416) 288-1736  
 E-mail: [sales@pelmareng.com](mailto:sales@pelmareng.com)  
 Web site: [www.pelmareng.com](http://www.pelmareng.com)