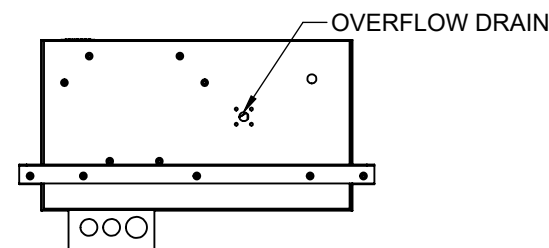
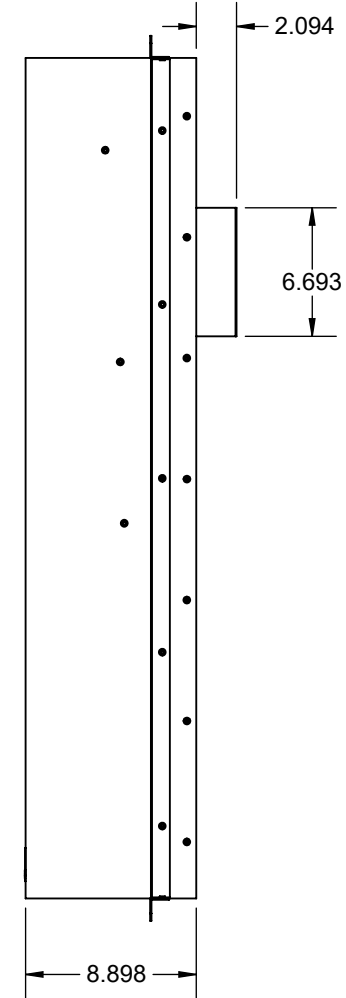
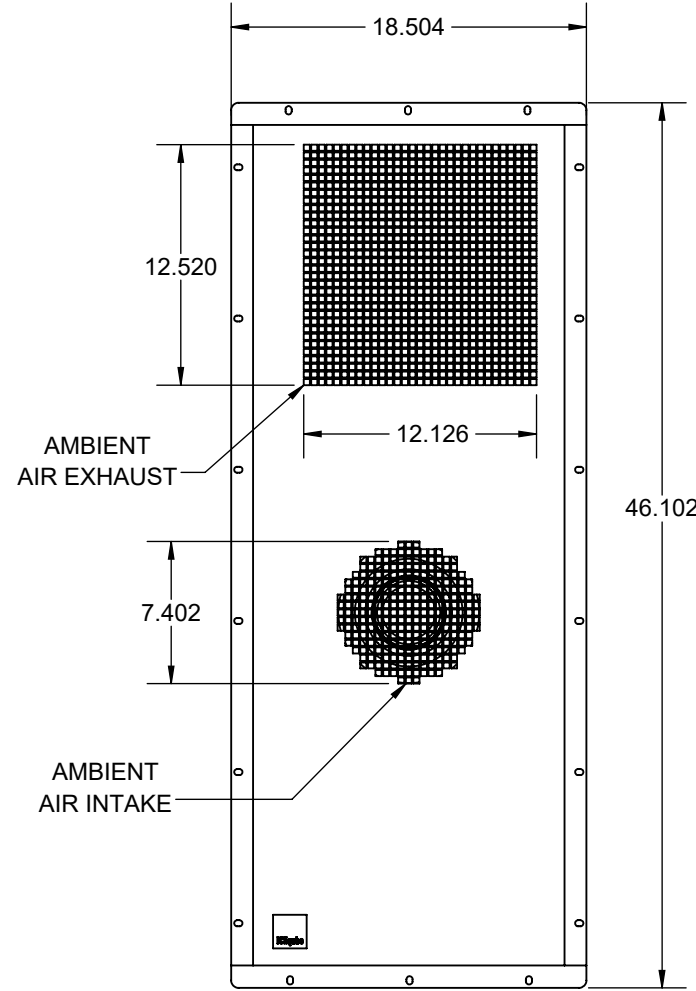
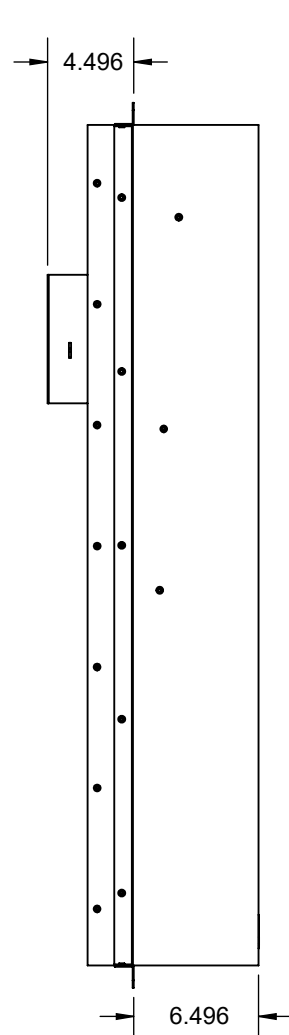
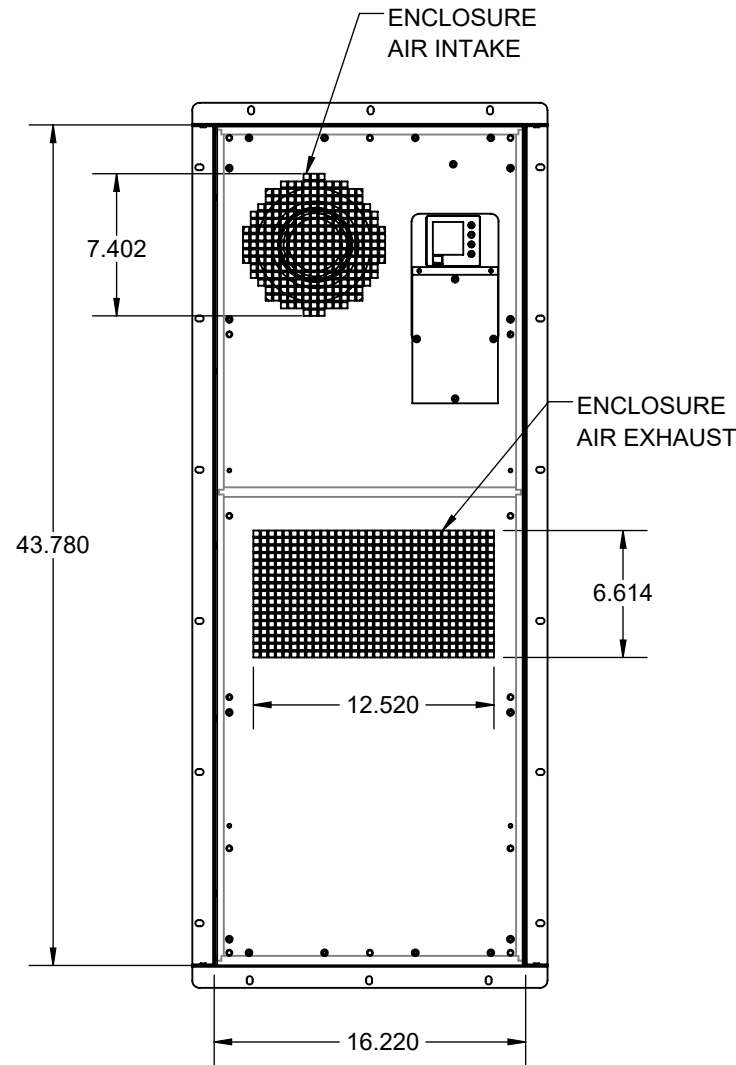
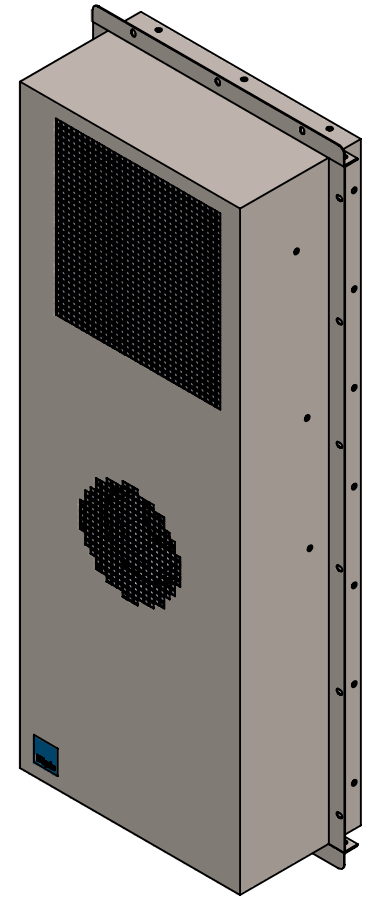
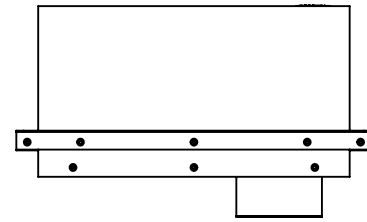
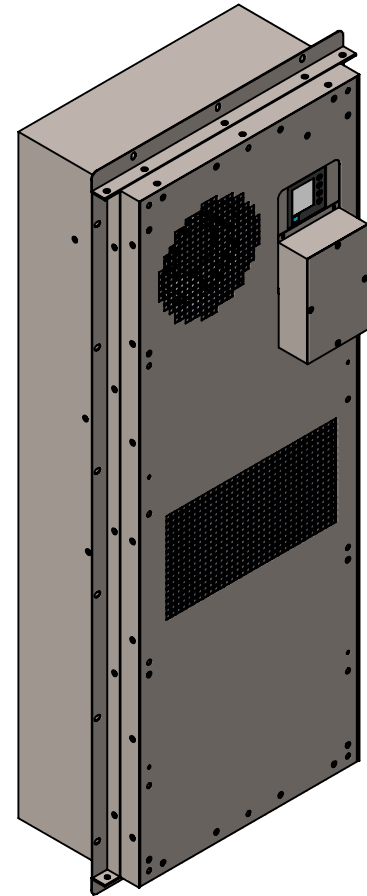


# BDC SERIES



**MODEL: IQ8500BDC**

COOLING CAPACITY: 8530 BTU (2500W)

HEATING CAPACITY: 2730 BTU (800W)

OPERATING CURRENT: 18A (864W) @ 48VDC @ 95°F (35°C)

OPERATING TEMPERATURE RANGE: -40°F TO 131°F (-40°C TO 55°C) WITH LA PACKAGE

DIMENSIONS W/O FLANGES: 43.98" H (1117MM) X 16.42" W (417MM) X 8.86" D (225MM)

DIMENSIONS W/ FLANGES: 46.07" H (1170MM) X 18.50" W (470MM) X 8.86" D (225MM)

MAXIMUM SOUND LEVEL @ 5FT FROM UNIT @ A HT. OF 3FT: 60 dBA

MAXIMUM SOUND LEVEL @ 2FT FROM UNIT @ A HT. OF 5FT: 62.8 dBA

WEIGHT: 127.9 LBS (58KG)

REFRIGERANT: R134a

B	ADJUST UNIT AND OVERALL DIMENSIONS, ADDED VERTICAL CUTOUT, CFM	JWS	8/23/2021				
A	INITIAL DRAFT	NAT	9/28/2020				
REV	REVISION	CHG	DATE	APP	DATE	CN#	

ITEM NUMBER	N/A
MATERIAL	N/A
EST WT:	lbs
DRAWN BY	NAT

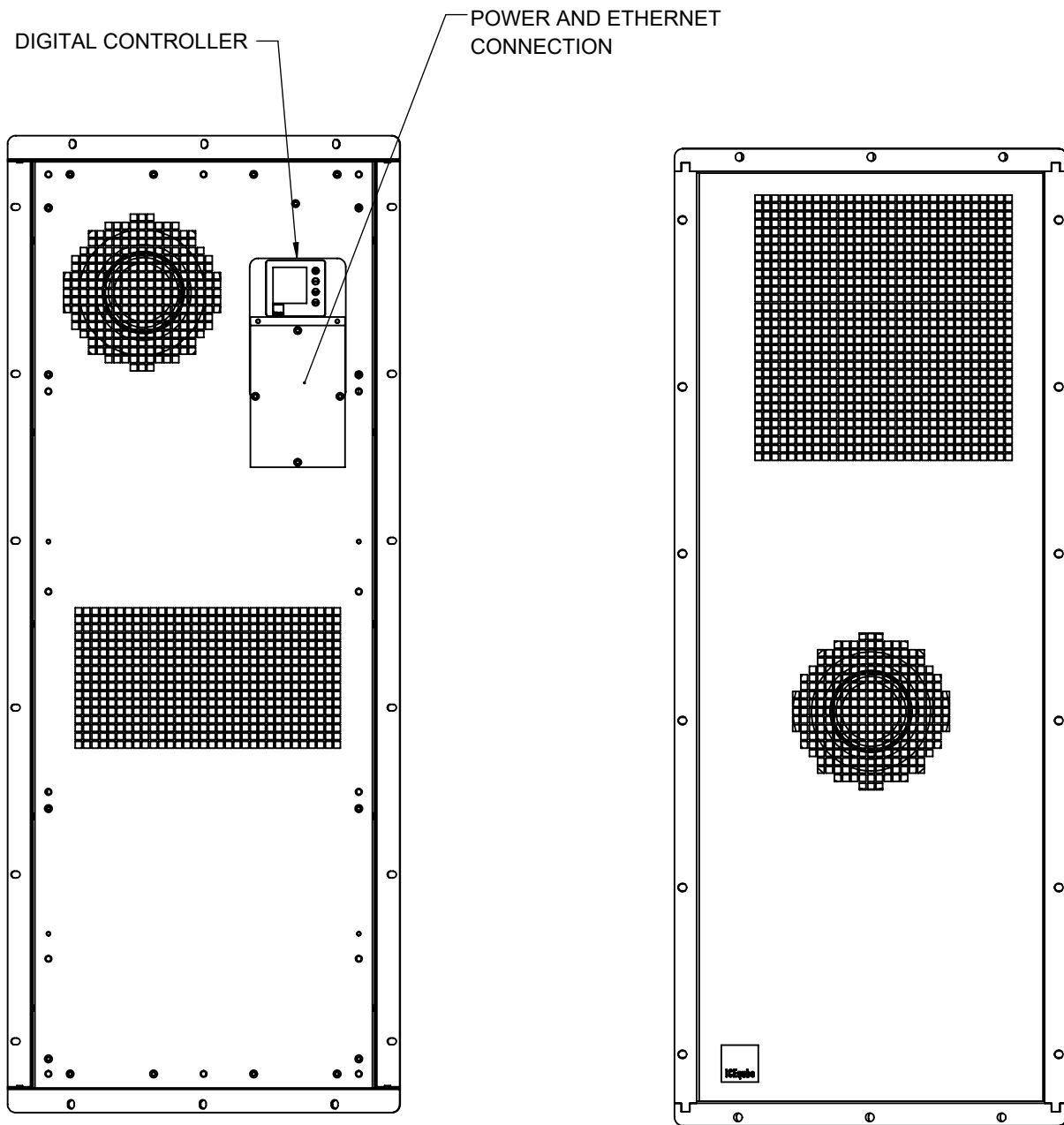
USED ON	IQ8500BDC
DATE	9/28/2020
SCALE	1:12

UNLESS OTHERWISE SPECIFIED TOLERANCES	
.X	±.060
.XX	±.030
.XXX	±.015
FRACTIONAL	±1/16
ANGULAR	±1/2°
SURFACE FINISH	63
DO NOT SCALE DRAWING DIMENSIONS ARE INCHES	

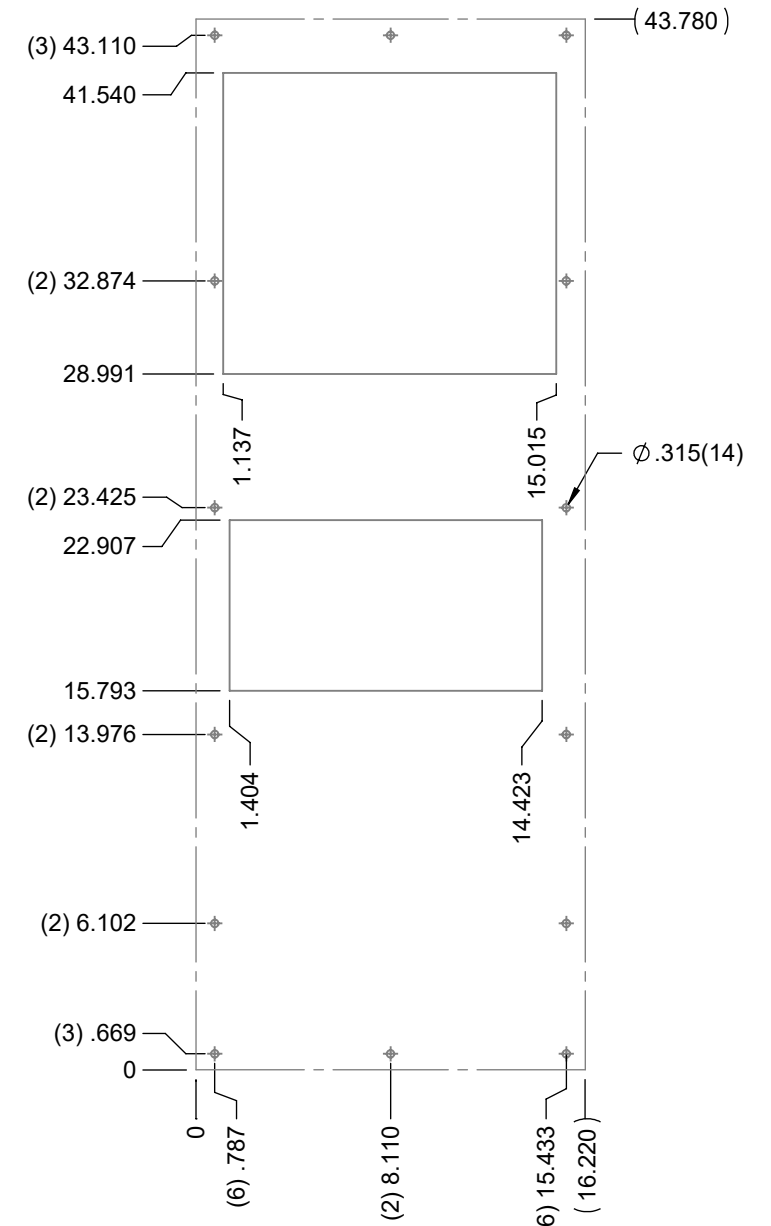
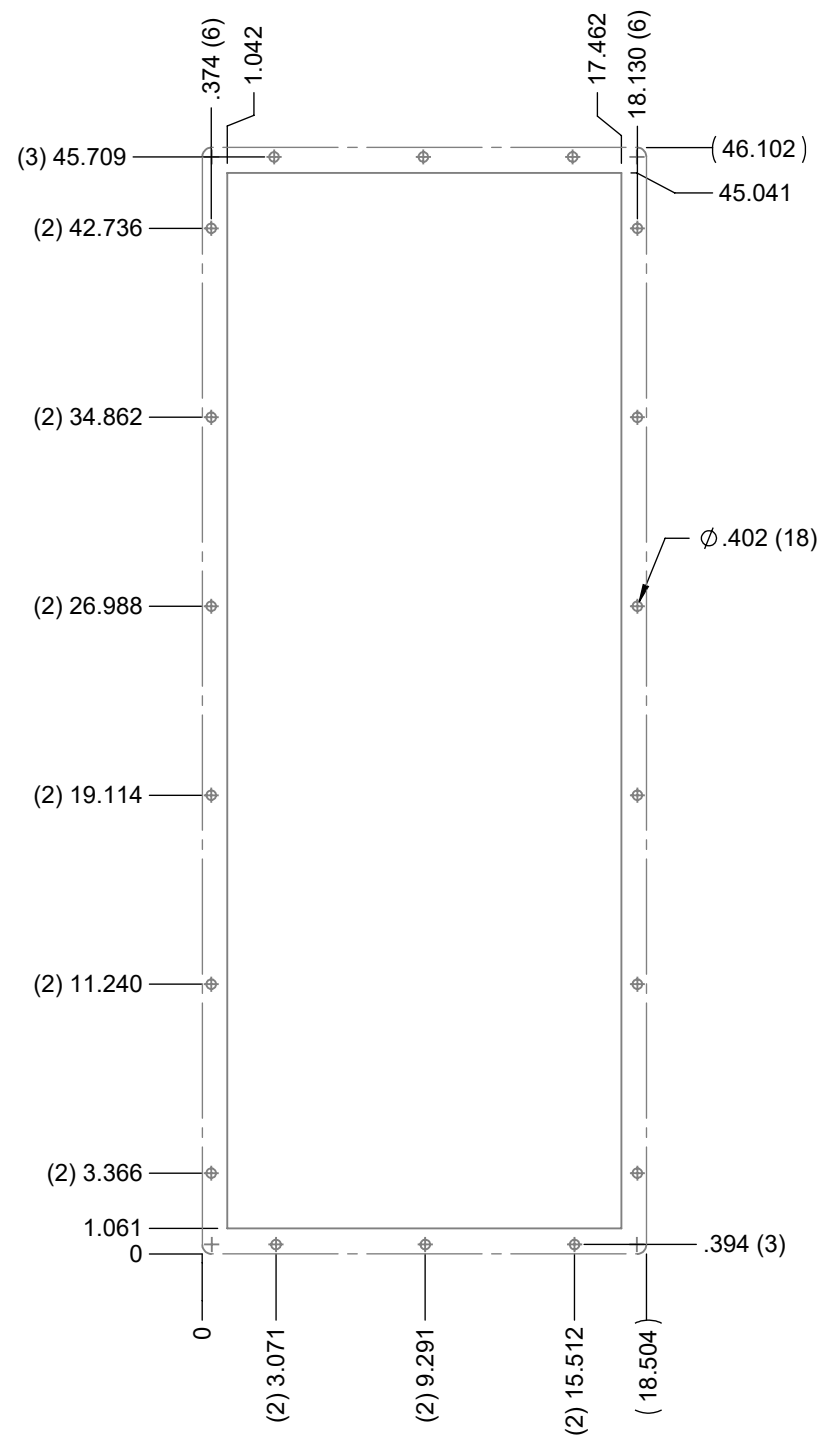
ICE QUBE, INC.	
THIS IS A PROPRIETARY DOCUMENT. DO NOT REPRODUCE OR DISCLOSE WITHOUT THE EXPRESS WRITTEN PERMISSION OF ICE QUBE, INC.	
DESCRIPTION	
SPEC DRAWING	
DRAWING NUMBER	REV
IQ352500	B

INSET VERTICAL MOUNT CUTOUT

VERTICAL MOUNT CUTOUT



**\*IMPORTANT\***  
 GASKET MUST BE APPLIED AS SHOWN  
 FOR PROPER OPERATION AND TO  
 MAINTAIN ENCLOSURE INTEGRITY



EVAP. OUTLET  $\approx$  570 CFM  
 COND. OUTLET  $\approx$  720 CFM

ITEM NUMBER N/A	USED ON IQ8500BDC
MATERIAL N/A	
EST WT: lbs	
DRAWN BY NAT	DATE 9/28/2020
	SCALE 1:12

UNLESS OTHERWISE SPECIFIED TOLERANCES
X $\pm$ .060
.XX $\pm$ .030
.XXX $\pm$ .015
FRACTIONAL $\pm$ 1/4
ANGULAR $\pm$ 1/2°
SURFACE FINISH $\sqrt{63}$
DO NOT SCALE DRAWING DIMENSIONS ARE INCHES

**ICE QUBE, INC.**  
 THIS IS A PROPRIETARY DOCUMENT. DO NOT REPRODUCE OR DISCLOSE WITHOUT THE EXPRESS WRITTEN PERMISSION OF ICE QUBE, INC.

DESCRIPTION  
**SPEC DRAWING**

DRAWING NUMBER  
**IQ352500**

REV  
**B**