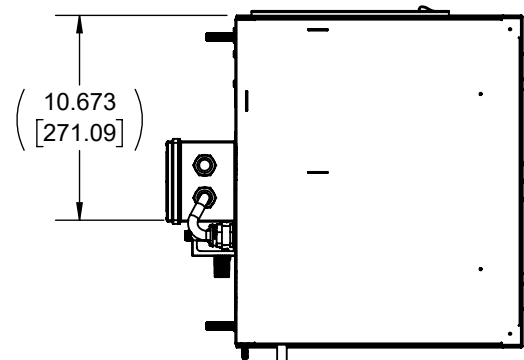


IQ6000EX
 CE 0539 II 2 G Ex db eb ib IIB+H2 T4 Gb
 NOMINAL COOLING CAPACITY:
 6568 BTUH (1926W) @ 140-140°F (60°C-60°C)
 MAXIMUM AMPS: 8.69 (1912W) @ 220V/50Hz
 MAXIMUM AMPS: 8.69 (1912W) @ 220V/60Hz
 MAXIMUM AMPS: 10.47 (2408W) @ 230V/50Hz
 MAXIMUM AMPS: 10.47 (2408W) @ 230V/60Hz
 MAXIMUM AMPS: 8.57 (2057W) @ 240V/50Hz
 MAXIMUM AMPS: 10.31 (2474W) @ 240V/60Hz
 MAXIMUM OPERATING TEMPERATURE: 140°F (60°C)
 MINIMUM OPERATING TEMPERATURE: -40°F (-40°C)
 DIMENSIONS: 46.968" (1193MM) H x 17.310" (440MM) W x 14.968" (380MM) D
 WEIGHT: 225 LBS (102KG)
 REFRIGERANT CHARGE: R407C 1LB 12OZ (794G)

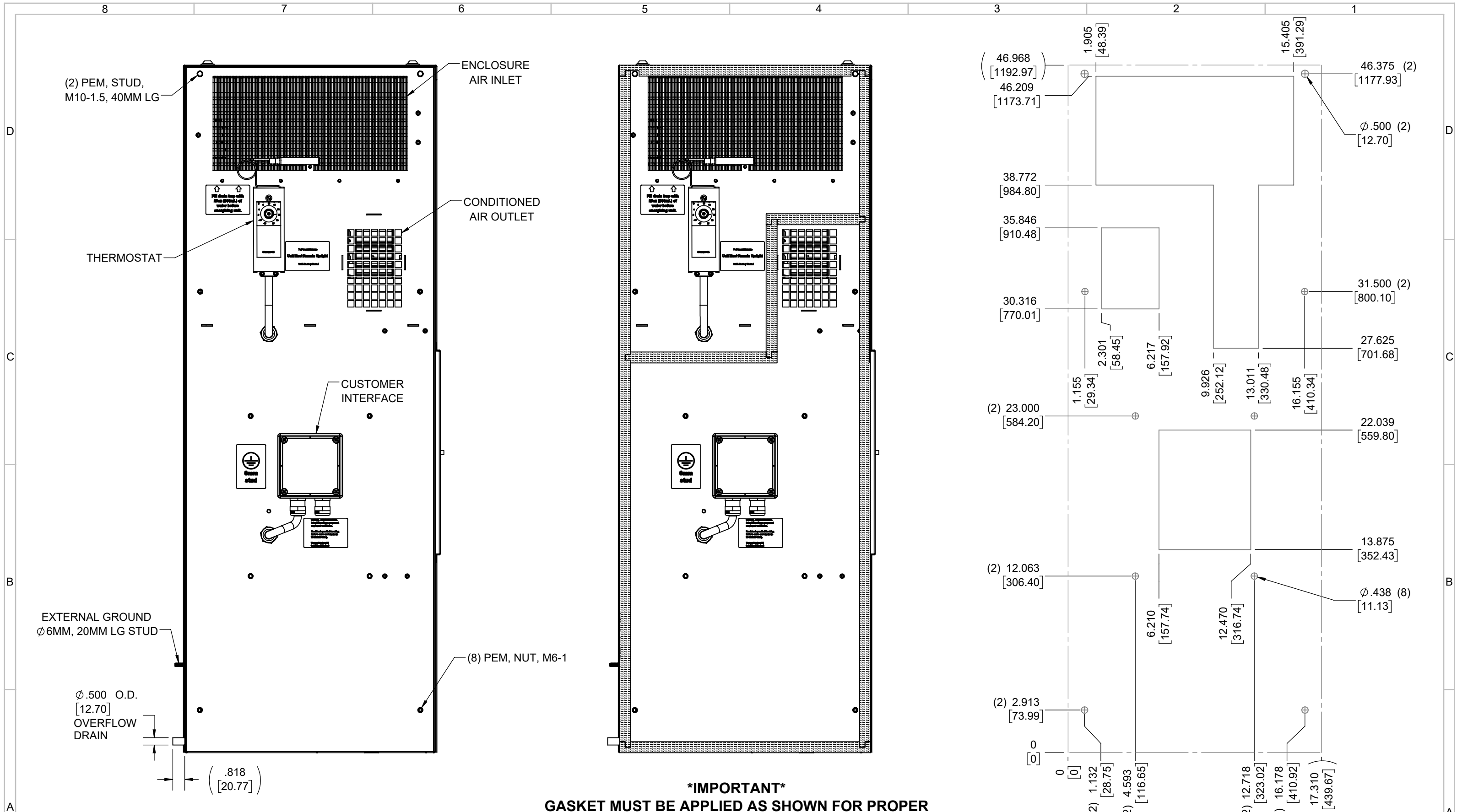


ITEM NUMBER	N/A	USED ON	IQ6000EX
MATERIAL	N/A		
EST WT:	lbs		
DRAWN BY	JGG	DATE	8/2/2018
SCALE	1:10		
REV		APP	
		DATE	
		CN #	

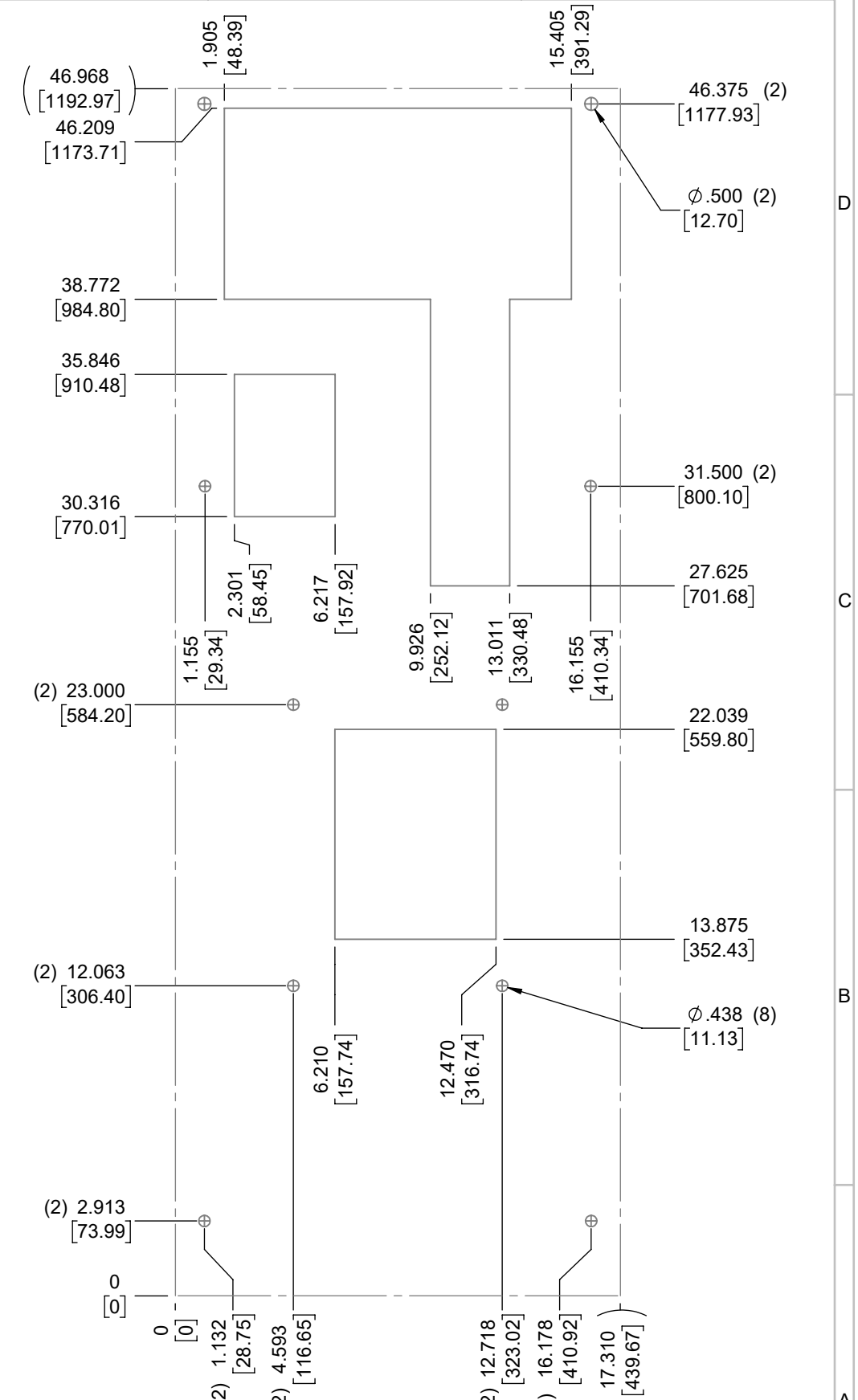
UNLESS OTHERWISE SPECIFIED TOLERANCES	
.X	±.060
.XX	±.030
.XXX	±.015
FRACTIONAL	±1/16
ANGULAR	±1/2°
SURFACE FINISH	63
DO NOT SCALE DRAWING DIMENSIONS ARE INCHES	

DESCRIPTION	IQ6000EX SPEC DRAWING
DRAWING NUMBER	IQ351990
REV	A

ICE QUBE, INC.
THIS IS A PROPRIETARY DOCUMENT. DO NOT REPRODUCE OR DISCLOSE WITHOUT THE EXPRESS WRITTEN PERMISSION OF ICE QUBE, INC.
IQ6000EX SPEC DRAWING
IQ351990



IMPORTANT
GASKET MUST BE APPLIED AS SHOWN FOR PROPER OPERATION AND TO MAINTAIN ENCLOSURE INTEGRITY



ITEM NUMBER N/A	USED ON IQ6000EX	UNLESS OTHERWISE SPECIFIED TOLERANCES X ±.060 XX ±.030 XXX ±.015	<p>THIS IS A PROPRIETARY DOCUMENT. DO NOT REPRODUCE OR DISCLOSE WITHOUT THE EXPRESS WRITTEN PERMISSION OF ICE QUBE, INC.</p>
MATERIAL N/A		FRACTIONAL ±1/4 ANGULAR ±1/2°	
EST WT: lbs		SURFACE FINISH 63	DESCRIPTION IQ6000EX SPEC DRAWING
DRAWN BY JGG	DATE 8/2/2018	SCALE 1:6	DRAWING NUMBER IQ351990
			REV A