

IQ5000EX

CE 0539 II 2 G Ex db eb ib IIB+H2 T4 Gb

NOMINAL COOLING CAPACITY:

5535 BTUH (1623W) @ 140-140°F (60°C-60°C)

MAXIMUM AMPS: 7.74 (1703W) @ 220V/50Hz

MAXIMUM AMPS: 7.74 (1703W) @ 220V/60Hz

MAXIMUM AMPS: 9.53 (2192W) @ 230V/50Hz

MAXIMUM AMPS: 9.53 (2192W) @ 230V/60Hz

MAXIMUM AMPS: 7.59 (1822W) @ 240V/50Hz

MAXIMUM AMPS: 9.40 (2256W) @ 240V/60Hz

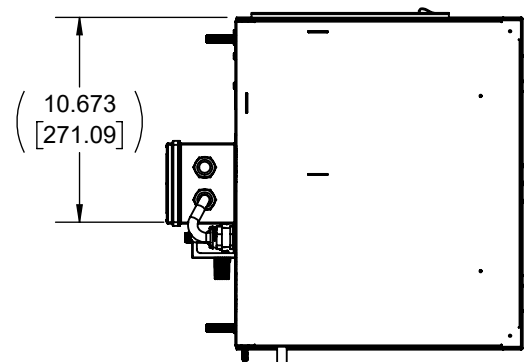
MAXIMUM OPERATING TEMPERATURE: 140°F (60°C)

MINIMUM OPERATING TEMPERATURE: -40°F (-40°C)

DIMENSIONS: 46.968" (1193MM) H x 17.310" (440MM) W x 14.968" (380MM) D

WEIGHT: 225 LBS (102KG)

REFRIGERANT CHARGE: R407C 1LB 6OZ (624G)



A	PRODUCTION RELEASE	RCC	8/2/2018				
REV	REVISION	CHG	DATE	APP	DATE	CN #	

ITEM NUMBER	N/A
MATERIAL	N/A
EST WT:	lbs
DRAWN BY	JGG

USED ON	IQ5000EX
SCALE	1:10
DATE	8/2/2018

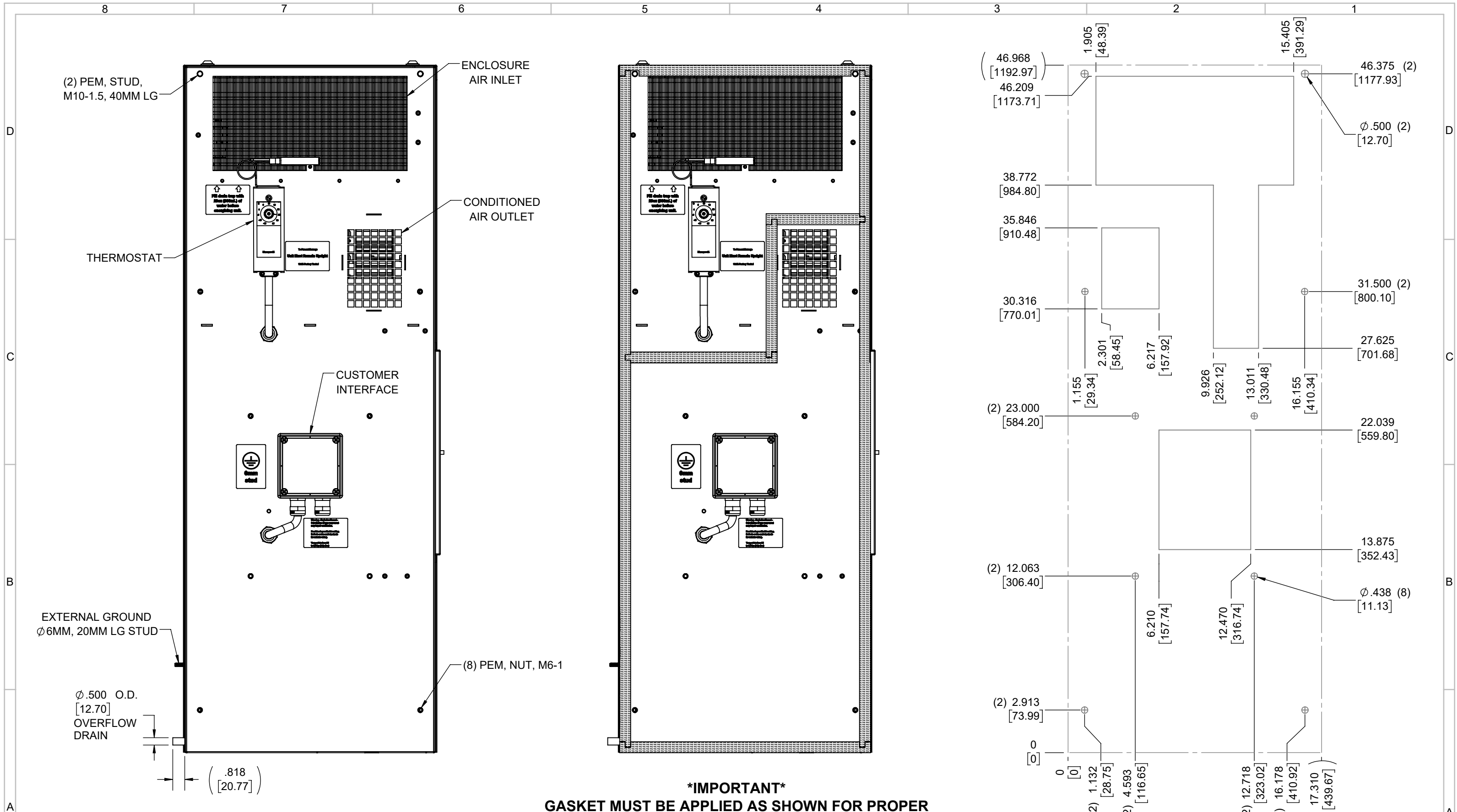
UNLESS OTHERWISE SPECIFIED TOLERANCES	
.X	±.060
.XX	±.030
.XXX	±.015
FRACTIONAL	±1/16
ANGULAR	±1/2°
SURFACE FINISH	63
DO NOT SCALE DRAWING DIMENSIONS ARE INCHES	

ICE QUBE, INC.
THIS IS A PROPRIETARY DOCUMENT. DO NOT REPRODUCE OR DISCLOSE WITHOUT THE EXPRESS WRITTEN PERMISSION OF ICE QUBE, INC.

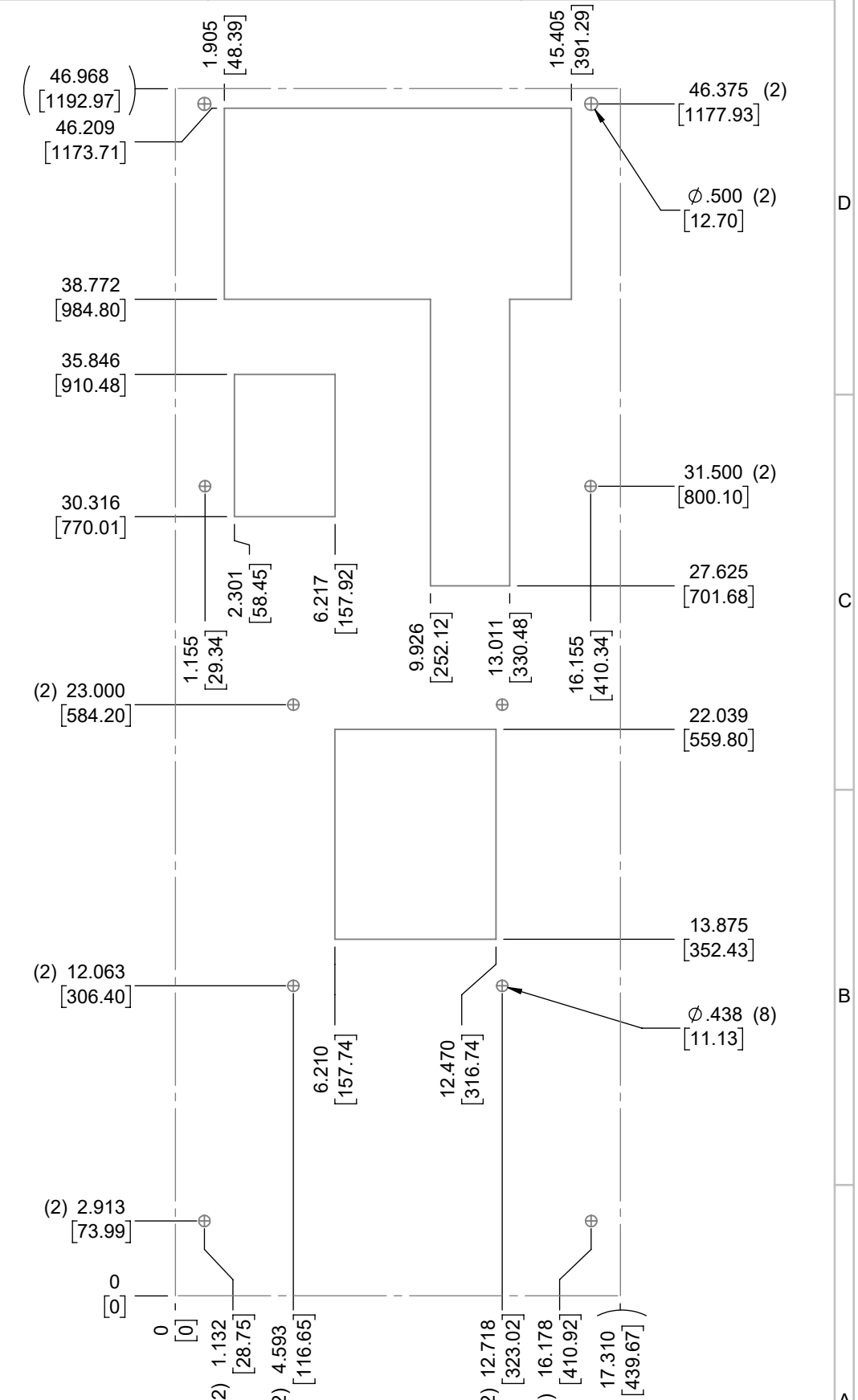
DESCRIPTION
IQ5000EX SPEC DRAWING

DRAWING NUMBER
IQ351989

REV
A



IMPORTANT
GASKET MUST BE APPLIED AS SHOWN FOR PROPER OPERATION AND TO MAINTAIN ENCLOSURE INTEGRITY



ITEM NUMBER N/A	USED ON IQ5000EX	UNLESS OTHERWISE SPECIFIED TOLERANCES X ±.060 .XX ±.030 .XXX ±.015	<p>THIS IS A PROPRIETARY DOCUMENT. DO NOT REPRODUCE OR DISCLOSE WITHOUT THE EXPRESS WRITTEN PERMISSION OF ICE QUBE, INC.</p>
MATERIAL N/A		FRACTIONAL ±1/4 ANGULAR ±1/2°	
EST WT: lbs		SURFACE FINISH 63	DESCRIPTION IQ5000EX SPEC DRAWING
DRAWN BY JGG	DATE 8/2/2018	SCALE 1:6	DRAWING NUMBER IQ351989
DO NOT SCALE DRAWING DIMENSIONS ARE INCHES			REV A