

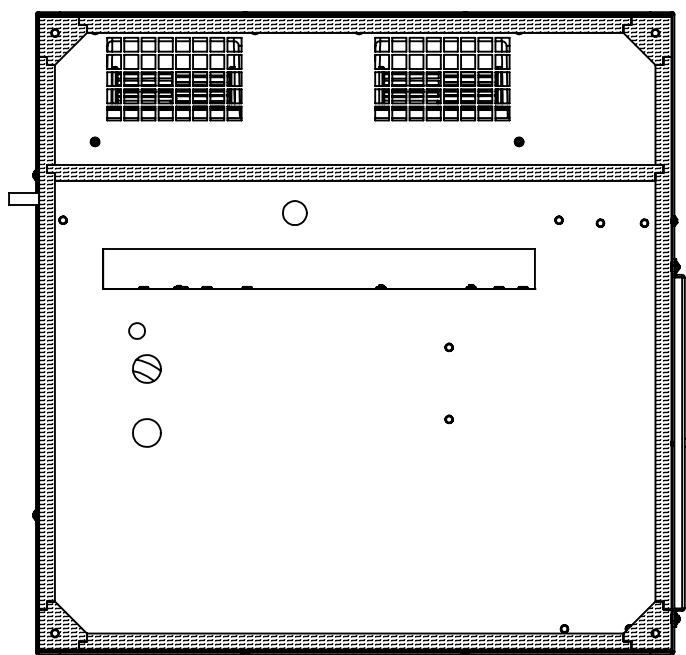
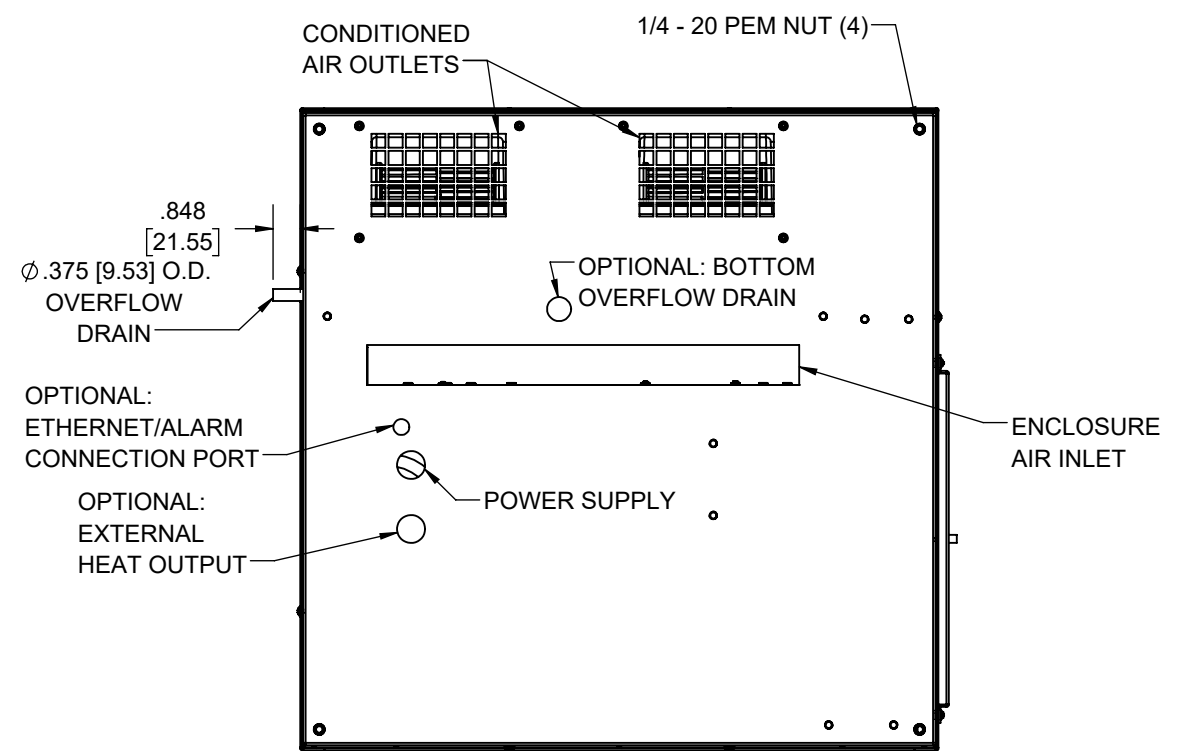
IQ4500T  
 COOLING CAPACITY: 4500 BTUH (1320W) @131°F (55°C)  
 MAXIMUM AMPS: 8.5 (1020W) @120V/60HZ  
 MAXIMUM AMPS: 4.2 (966W) @230V/60HZ  
 MAXIMUM OPERATING TEMP: 131°F (55°C)  
 MINIMUM OPERATING TEMP: -40°F (-40°C)  
 DIMENSIONS: 12.06" (306MM) H X 19.94" (507MM) W X 20.06" (510MM) D  
 WEIGHT: 72 LBS (32.7KG)

REV	REVISION	CHG	DATE	APP	DATE	CN #
C	ADDED CFM, dBA, AND CLEARANCE INFO	RCC	3/28/2018			1351
B	ADDED WATTAGE INFO	RCC	1/3/2018			
A	REDRAWN IN SW	RCC	4/19/2017			

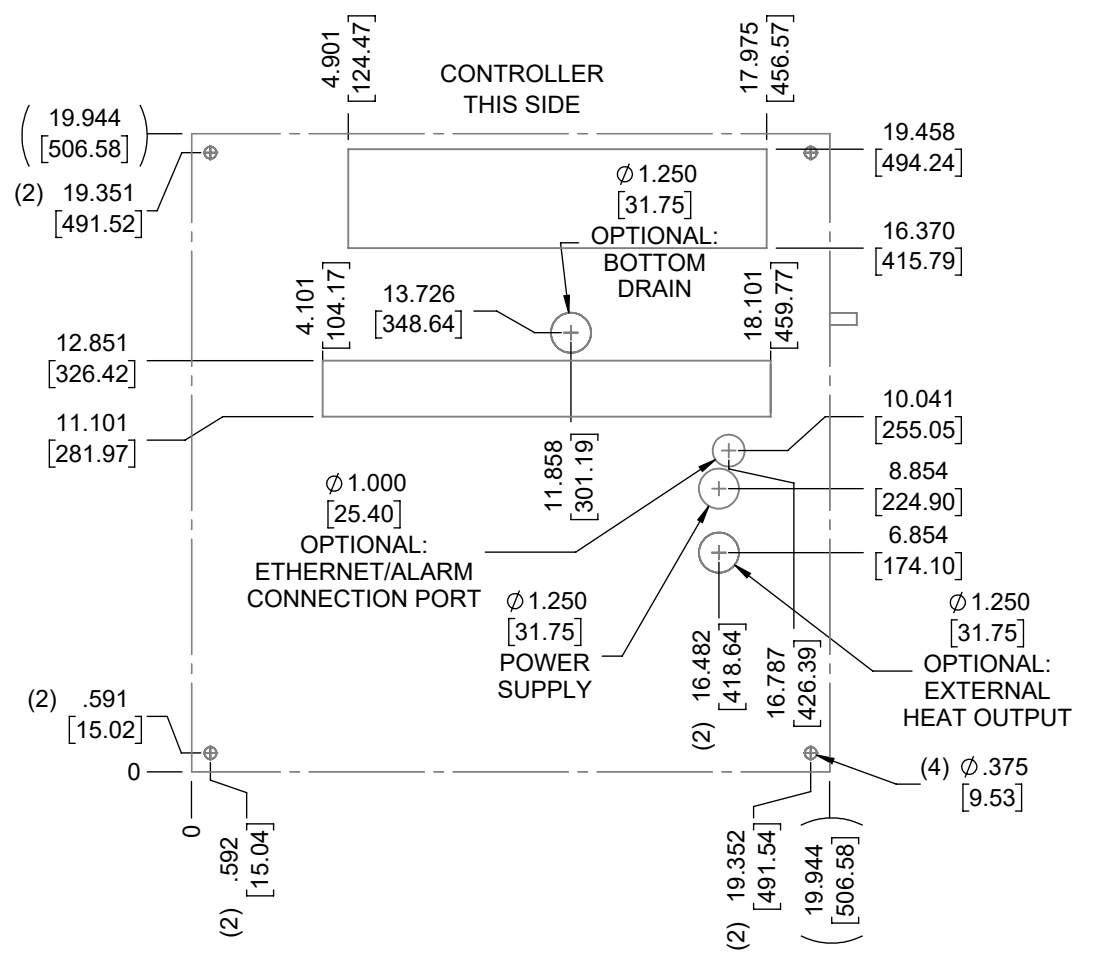
ITEM NUMBER	N/A	USED ON	IQ4500T
MATERIAL	N/A		
EST WT:	lbs		
DRAWN BY	RCC	DATE	4/19/2017
		SCALE	1:8

UNLESS OTHERWISE SPECIFIED TOLERANCES  
 .X ±.060  
 .XX ±.030  
 .XXX ±.015  
 FRACTIONAL ±1/16  
 ANGULAR ±1/2°  
 SURFACE FINISH 63

**ICE QUBE, INC.**  
THIS IS A PROPRIETARY DOCUMENT. DO NOT REPRODUCE OR DISCLOSE WITHOUT THE EXPRESS WRITTEN PERMISSION OF ICE QUBE, INC.  
 DESCRIPTION  
**IQ4500T SPEC DRAWING**  
 DRAWING NUMBER  
**IQ351446**  
 REV  
**C**



**\*IMPORTANT\***  
 GASKET MUST BE APPLIED AS SHOWN FOR PROPER OPERATION AND TO MAINTAIN NEMA INTEGRITY.



EVAP. OUTLET ≈ 236 CFM  
 COND. OUTLET ≈ 410 CFM  
 SOUND LEVEL @5FT FROM UNIT @ A HT. OF 3FT = 59 dBA  
 SOUND LEVEL @2FT FROM UNIT @ A HT. OF 5FT = 59 dBA  
 CONDENSER INLET MIN. CLEARANCE 2.76"

ITEM NUMBER N/A	USED ON IQ4500T	UNLESS OTHERWISE SPECIFIED TOLERANCES X ±.060 .XX ±.030 .XXX ±.015 FRACTIONAL ±1/4 ANGULAR ±1/2°	<p>ICE QUBE, INC.                  THIS IS A PROPRIETARY DOCUMENT. DO NOT REPRODUCE OR DISCLOSE WITHOUT THE EXPRESS WRITTEN PERMISSION OF ICE QUBE, INC.</p>
MATERIAL N/A			
EST WT: lbs	DRAWN BY RCC	DATE 4/19/2017	SCALE 1:6
DO NOT SCALE DRAWING DIMENSIONS ARE INCHES			DESCRIPTION <b>IQ4500T SPEC DRAWING</b> DRAWING NUMBER <b>IQ351446</b> REV <b>C</b>