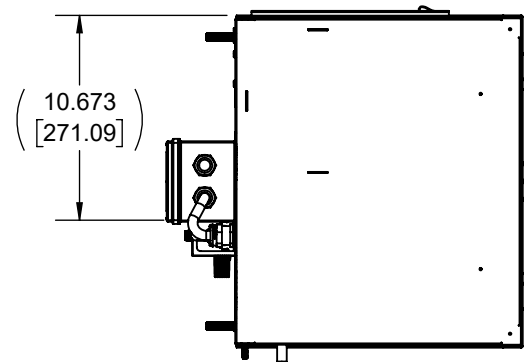


IQ4000EX
 CE 0539 II 2 G Ex db eb ib IIB+H2 T4 Gb
 NOMINAL COOLING CAPACITY:
 4302 BTUH (1262W) @ 140-140°F (60°C-60°C)
 MAXIMUM AMPS: 7.44 (1637W) @ 220V/50Hz
 MAXIMUM AMPS: 7.44 (1637W) @ 220V/60Hz
 MAXIMUM AMPS: 8.80 (2024W) @ 230V/50Hz
 MAXIMUM AMPS: 8.80 (2024W) @ 230V/60Hz
 MAXIMUM AMPS: 7.35 (1764W) @ 240V/50Hz
 MAXIMUM AMPS: 8.64 (2074W) @ 240V/60Hz
 MAXIMUM OPERATING TEMPERATURE: 140°F (60°C)
 MINIMUM OPERATING TEMPERATURE: -40°F (-40°C)
 DIMENSIONS: 46.968" (1193MM) H x 17.310" (440MM) W x 14.968" (380MM) D
 WEIGHT: 225 LBS (102KG)
 REFRIGERANT CHARGE: R407C 1LB 2OZ (510G)

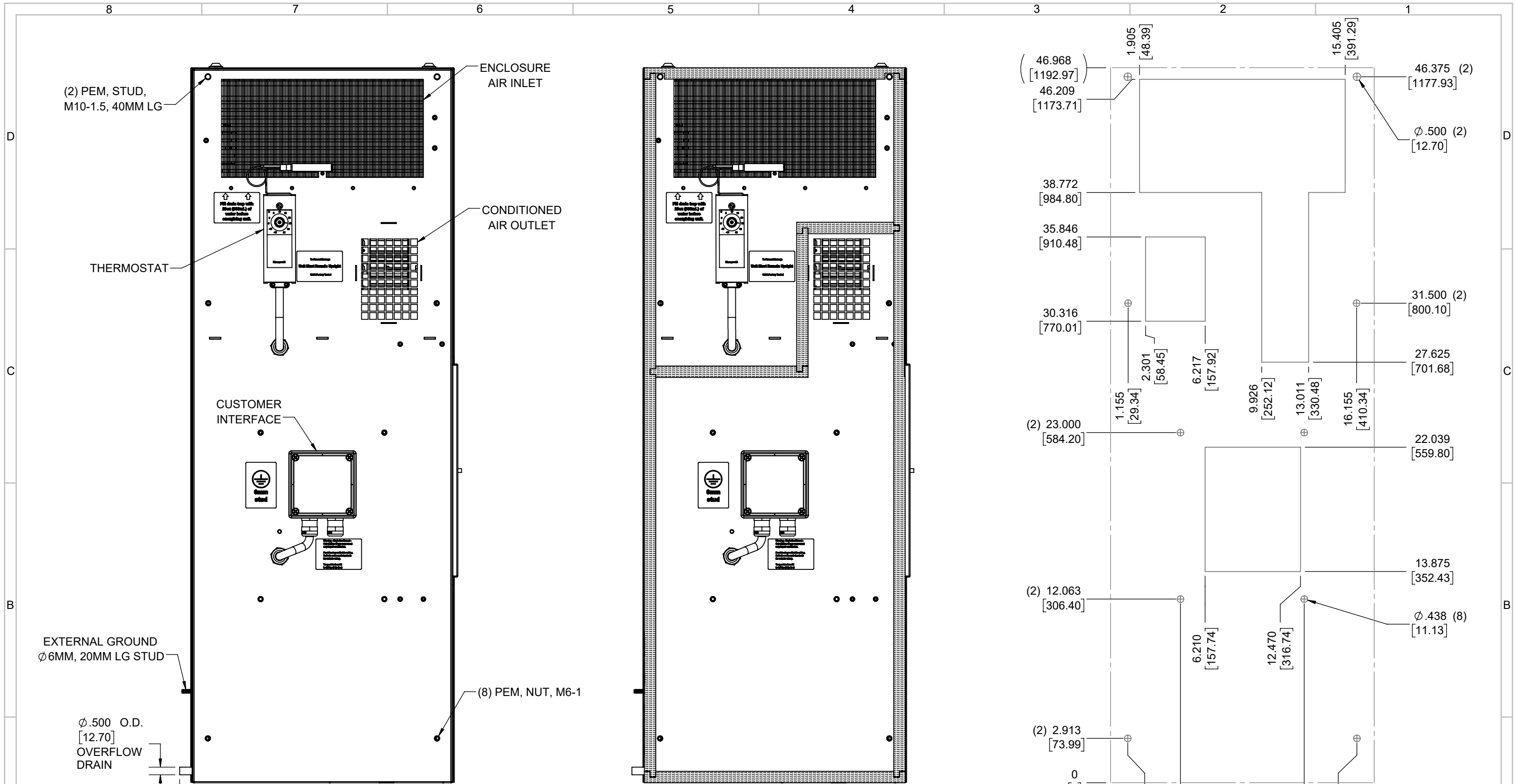


A		PRODUCTION RELEASE		RCC	8/2/2018				
REV		REVISION		CHG	DATE	APP	DATE	CN #	

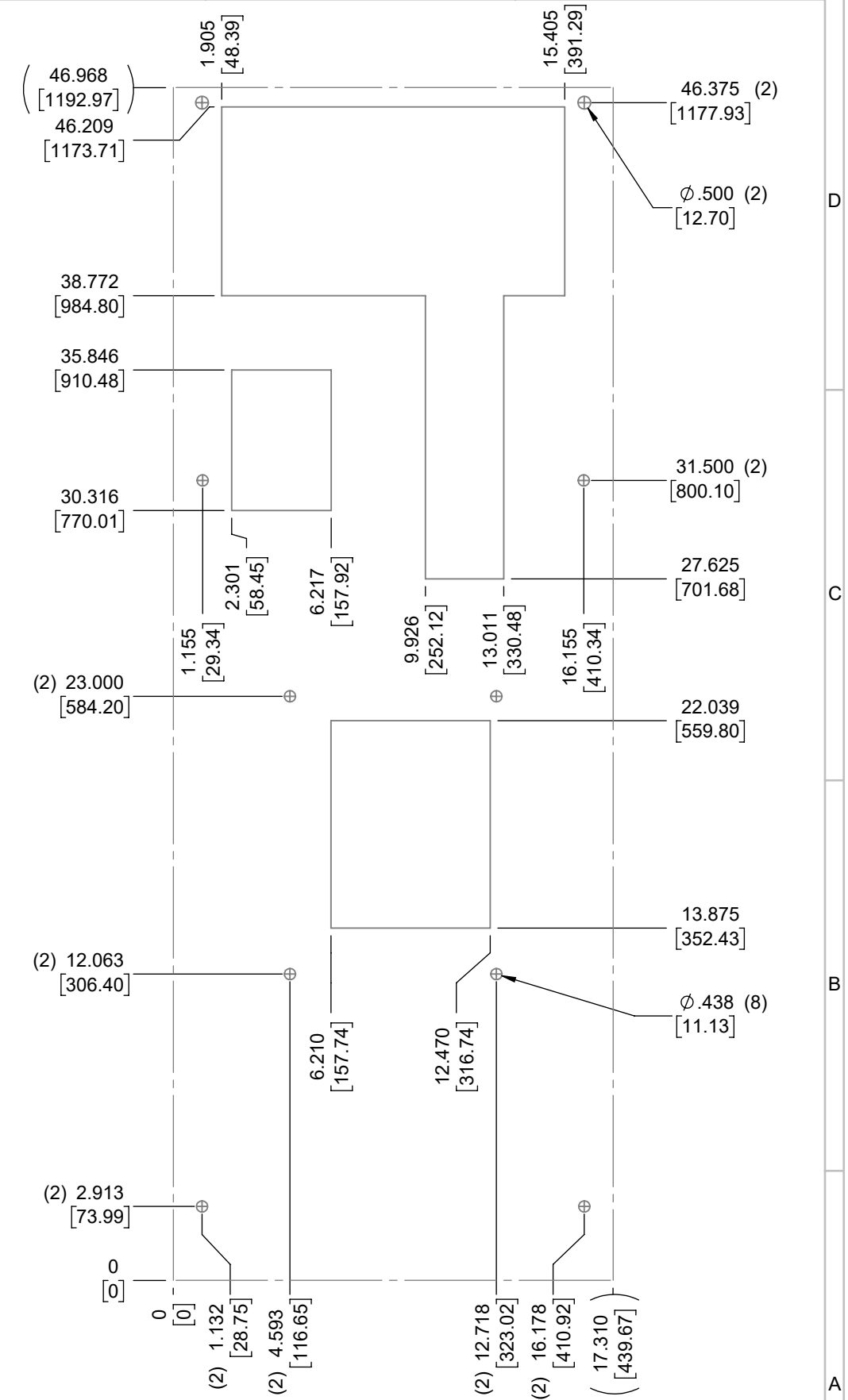
ITEM NUMBER	N/A	USED ON	IQ4000EX
MATERIAL	N/A		
EST WT:	lbs		
DRAWN BY	JGG	DATE	8/2/2018
		SCALE	1:10

UNLESS OTHERWISE SPECIFIED TOLERANCES	
.X	±.060
.XX	±.030
.XXX	±.015
FRACTIONAL	±1/16
ANGULAR	±1/2°
SURFACE FINISH ⁶³	
DO NOT SCALE DRAWING DIMENSIONS ARE INCHES	

ICE QUBE, INC.
THIS IS A PROPRIETARY DOCUMENT. DO NOT REPRODUCE OR DISCLOSE WITHOUT THE EXPRESS WRITTEN PERMISSION OF ICE QUBE, INC.
 DESCRIPTION
IQ4000EX SPEC DRAWING
 DRAWING NUMBER
IQ351988
 REV
A



IMPORTANT
GASKET MUST BE APPLIED AS SHOWN FOR PROPER OPERATION AND TO MAINTAIN ENCLOSURE INTEGRITY



ITEM NUMBER N/A	USED ON IQ4000EX	UNLESS OTHERWISE SPECIFIED TOLERANCES X ±.060 XX ±.030 XXX ±.015	<p>THIS IS A PROPRIETARY DOCUMENT. DO NOT REPRODUCE OR DISCLOSE WITHOUT THE EXPRESS WRITTEN PERMISSION OF ICE QUBE, INC.</p>
MATERIAL N/A		FRACTIONAL ±1/4 ANGULAR ±1/2°	
EST WT: lbs		SURFACE FINISH 63	DESCRIPTION IQ4000EX SPEC DRAWING
DRAWN BY JGG	DATE 8/2/2018	SCALE 1:6	DRAWING NUMBER IQ351988
DO NOT SCALE DRAWING DIMENSIONS ARE INCHES			REV A