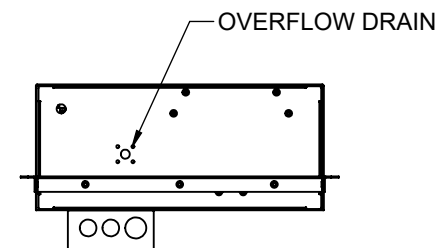
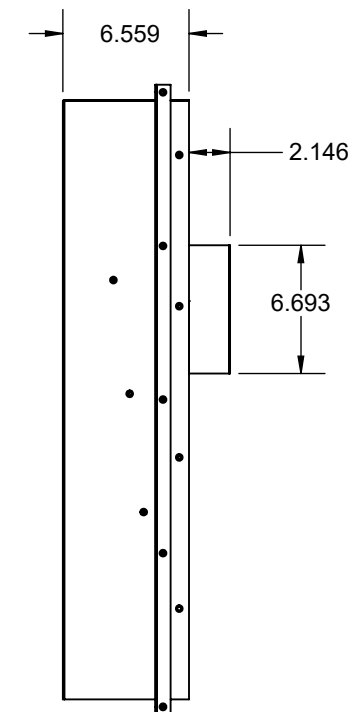
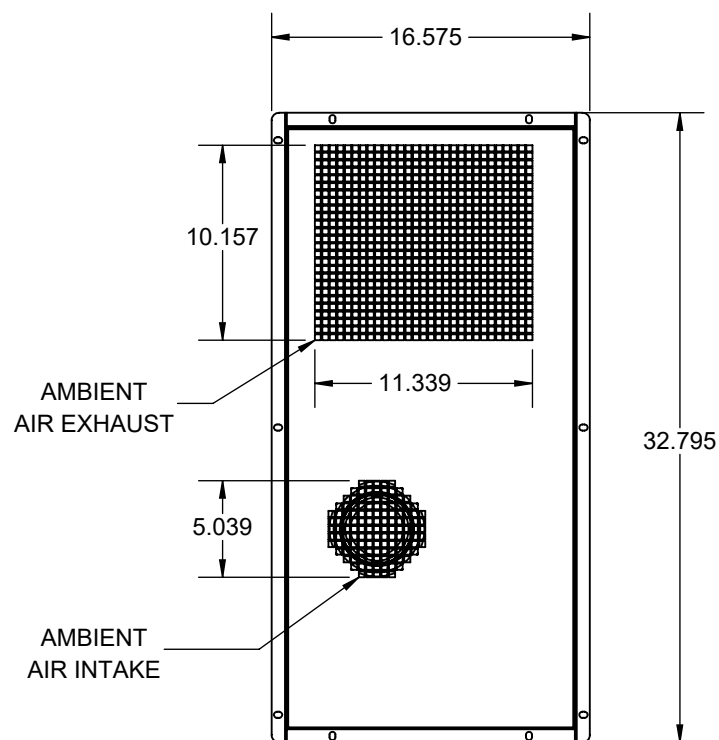
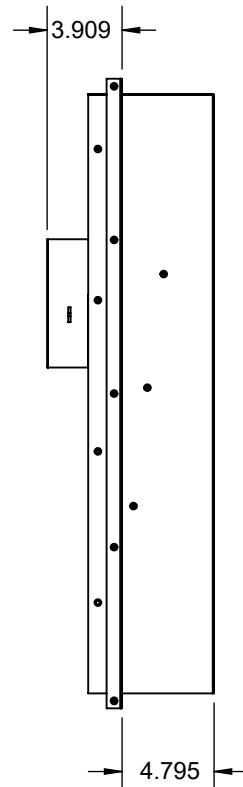
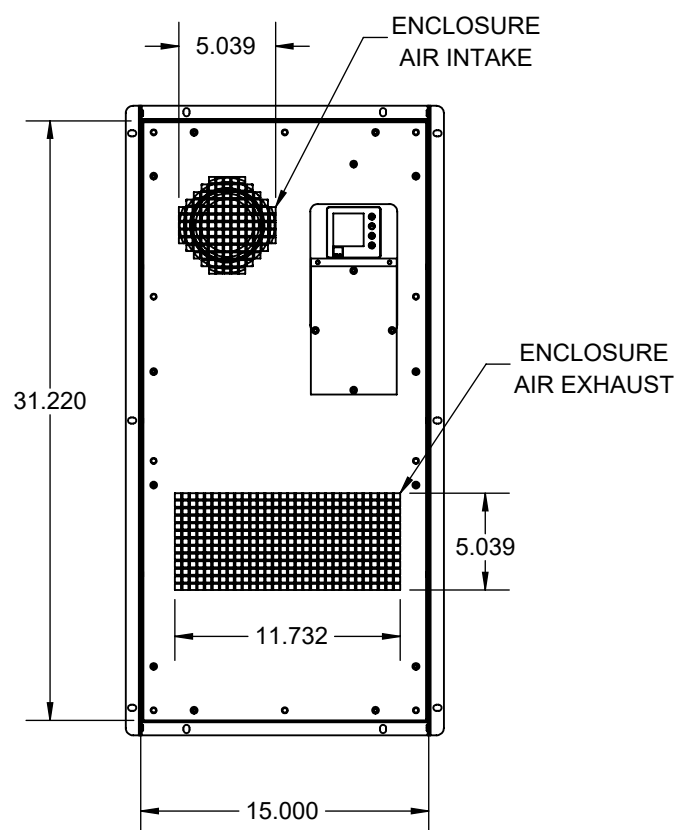
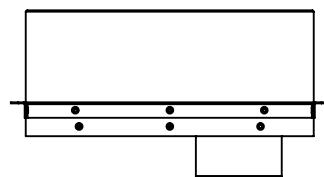
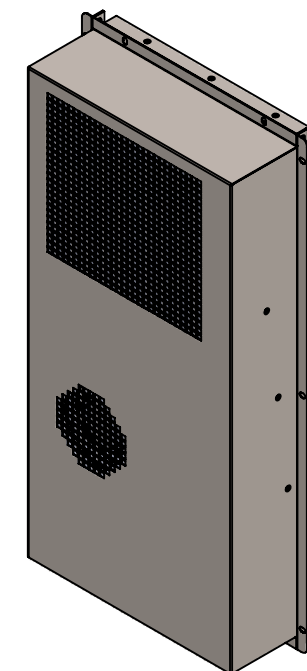
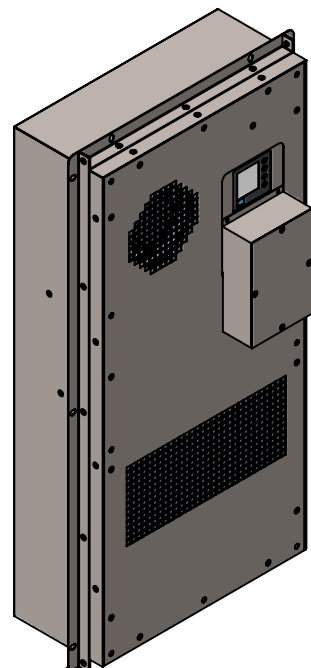


BDC SERIES



MODEL: IQ3500BDC

COOLING CAPACITY: 3412 BTU (1000W)

HEATING CAPACITY: 1365 BTU (400W)

OPERATING CURRENT: 8.2A (394W) @ 48VDC @ 95°F (35°C)

OPERATING TEMPERATURE RANGE: -40°F TO 131°F (-40°C TO 55°C) WITH LA PACKAGE

DIMENSIONS W/O FLANGES: 31.38" H (797MM) X 15.16" W (385MM) X 6.50" D (165MM)

DIMENSIONS W/ FLANGES: 33.23" H (844MM) X 17.01" W (432MM) X 6.50" D (165MM)

MAXIMUM SOUND LEVEL @ 5FT FROM UNIT @ A HT. OF 3FT: 60 dBA

MAXIMUM SOUND LEVEL @ 2FT FROM UNIT @ A HT. OF 5FT: 62.8 dBA

WEIGHT: 59.5 LBS (27KG)

REFRIGERANT: R134a

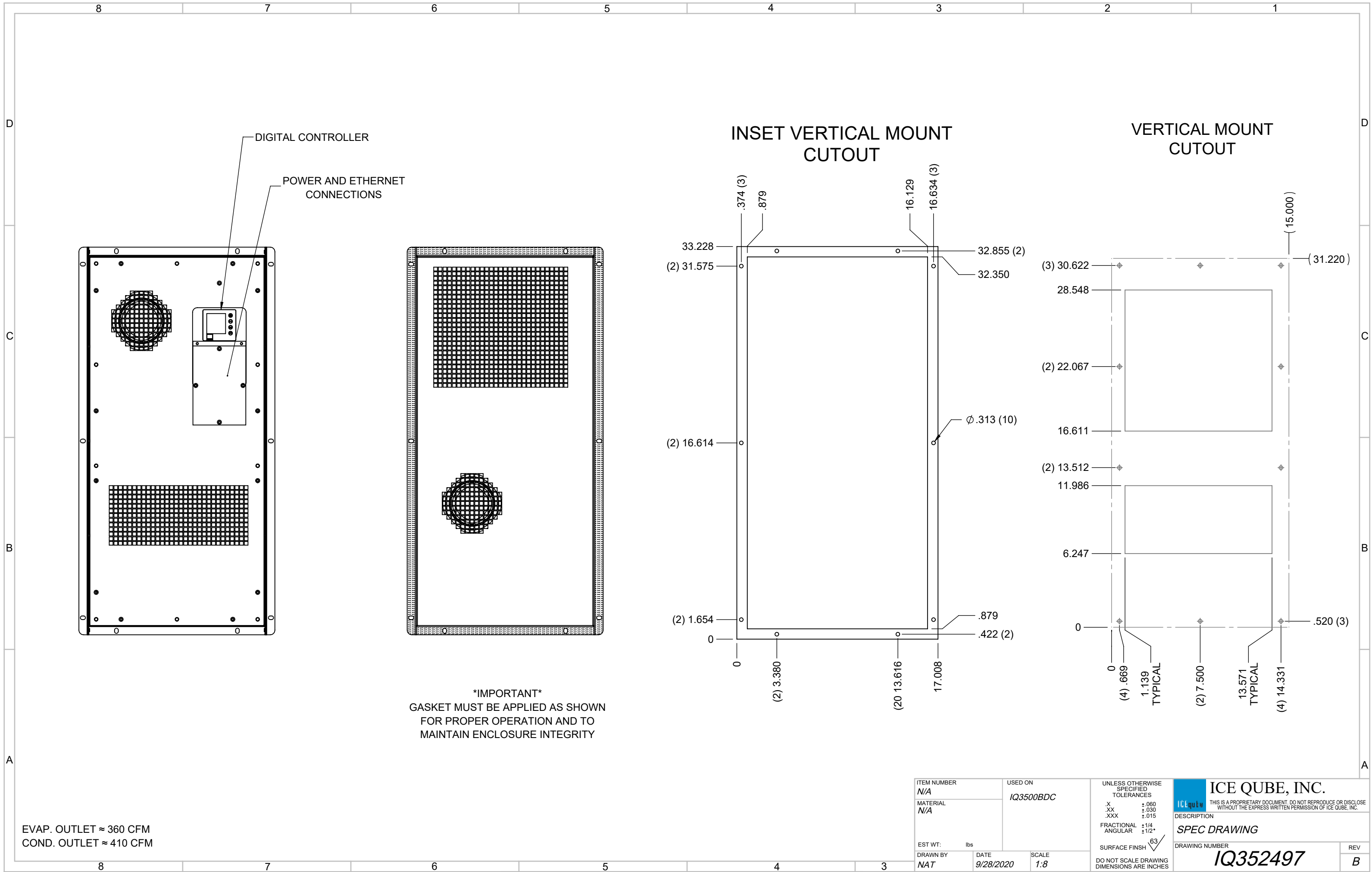
REV	REVISION	CHG	DATE	APP	DATE	CN #
B	ADDED VERTICAL MOUNT CUTOUT AND CFM DATA	JWS	10/12/2021			
A	INITIAL DRAFT	NAT	9/28/2020			

ITEM NUMBER	N/A
MATERIAL	N/A
EST WT:	lbs
DRAWN BY	NAT

USED ON	IQ3500BDC
DATE	9/28/2020
SCALE	1:8

UNLESS OTHERWISE SPECIFIED TOLERANCES	
.X	±.060
.XX	±.030
.XXX	±.015
FRACTIONAL	±1/16
ANGULAR	±1/2°
SURFACE FINISH	63
DO NOT SCALE DRAWING DIMENSIONS ARE INCHES	

ICE QUBE, INC.	
THIS IS A PROPRIETARY DOCUMENT. DO NOT REPRODUCE OR DISCLOSE WITHOUT THE EXPRESS WRITTEN PERMISSION OF ICE QUBE, INC.	
DESCRIPTION	
SPEC DRAWING	
DRAWING NUMBER	REV
IQ352497	B



DIGITAL CONTROLLER

POWER AND ETHERNET CONNECTIONS

INSET VERTICAL MOUNT CUTOUT

VERTICAL MOUNT CUTOUT

IMPORTANT
 GASKET MUST BE APPLIED AS SHOWN
 FOR PROPER OPERATION AND TO
 MAINTAIN ENCLOSURE INTEGRITY

EVAP. OUTLET ≈ 360 CFM
 COND. OUTLET ≈ 410 CFM

ITEM NUMBER N/A	USED ON IQ3500BDC	UNLESS OTHERWISE SPECIFIED TOLERANCES X ±.060 .XX ±.030 .XXX ±.015 FRACTIONAL ±1/4 ANGULAR ±1/2° SURFACE FINISH 63	<p>ICE QUBE, INC. <small>THIS IS A PROPRIETARY DOCUMENT. DO NOT REPRODUCE OR DISCLOSE WITHOUT THE EXPRESS WRITTEN PERMISSION OF ICE QUBE, INC.</small></p>
MATERIAL N/A		DO NOT SCALE DRAWING DIMENSIONS ARE INCHES	
EST WT: lbs	DRAWN BY NAT	DATE 9/28/2020	SCALE 1:8
DESCRIPTION SPEC DRAWING			DRAWING NUMBER IQ352497
REV B			