

4

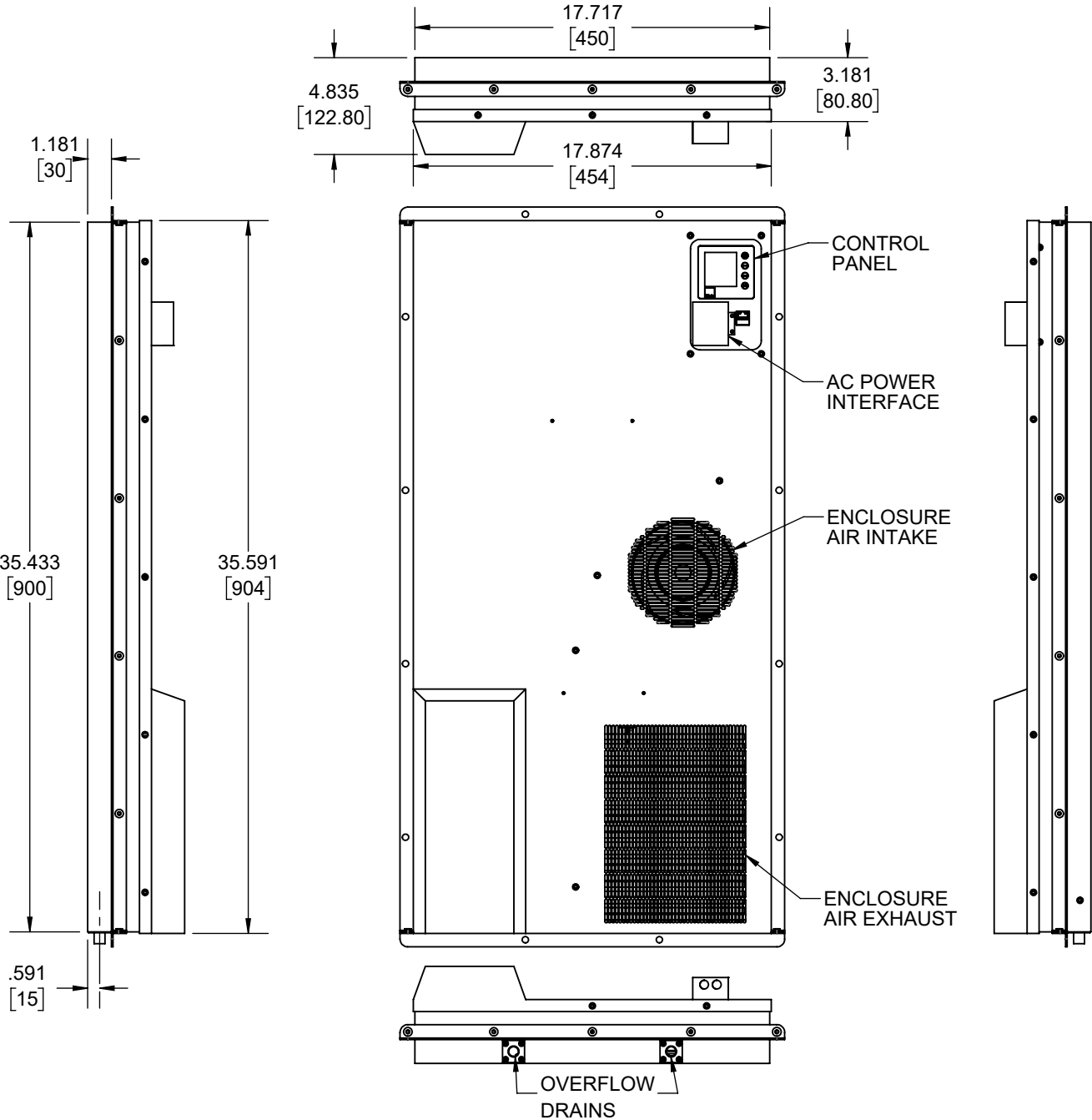
3

2

1

IQ3500B SPEC DRAWING

IQ3500B
 COOLING CAPACITY: 3500BTUH (1026W) @ 131°F (55°C)
 MAXIMUM AMPS: 10.5 (1260W) @ 120V/60HZ
 MAXIMUM AMPS: 5.0 (1150W) @ 230V/60HZ
 MAXIMUM OPERATING TEMP: 131°F (55°C)
 MINIMUM OPERATING TEMP: -40°F (-40°C)
 DIMENSIONS: 35.591" (904MM) H x 17.840" (454MM) W x 4.803" (122MM) D
 WEIGHT: 67LBS (30.4KG)
 EVAP. OUTLET ≈ 325 CFM
 COND. OUTLET ≈ 325 CFM
 SOUND LEVEL @5FT FROM UNIT @ A HT. OF 3FT = 68 dBA
 SOUND LEVEL @2FT FROM UNIT @ A HT. OF 5FT = 70 dBA
 CONDENSER INLET MIN. CLEARANCE 2.25"



E	REVERSED MOUNTING FLANGES	RCC	6/5/2019			
D	ADDED CFM, dBA, AND CLEARANCE INFO	RCC	4/26/2018		1351	
C	ADDED WATTAGE INFO	RCC	1/4/2018			
B	ADDED OVERFLOW DRAINS	RCC	12/8/2017			
A	INITIAL RELEASE	ART	8/31/2015		1229	
REV	REVISION	CHG	DATE	APP	DATE	CN#

PART NUMBER
N/A

MATERIAL
N/A

EST WT: lbs
 DRAWN BY
ART

USED ON
IQ3500B

DATE
3/18/2015

SCALE
1:8

UNLESS OTHERWISE SPECIFIED TOLERANCES

.X ±.060
 .XX ±.030
 .XXX ±.015

FRACTIONAL ±1/4
 ANGULAR ±1/2°

SURFACE FINISH $\sqrt{63}$

DO NOT SCALE DRAWING DIMENSIONS ARE INCHES

ICE QUBE, INC.
THIS IS A PROPRIETARY DOCUMENT. DO NOT REPRODUCE OR DISCLOSE WITHOUT THE EXPRESS WRITTEN PERMISSION OF ICE QUBE, INC.

DESCRIPTION
SPEC DRAWING, IQ3500B

DRAWING NUMBER
IQ350399

REV
E

E

D

C

B

A

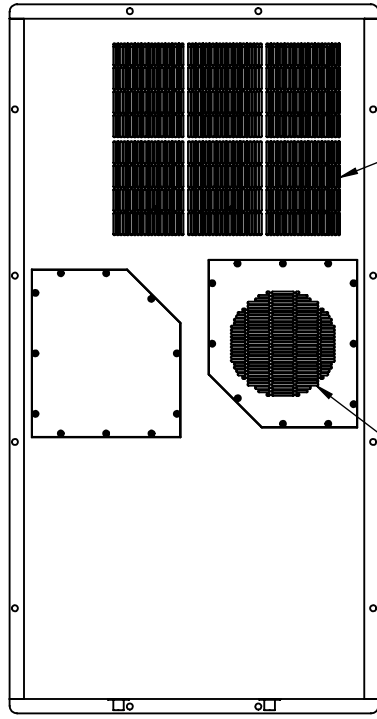
E

D

C

B

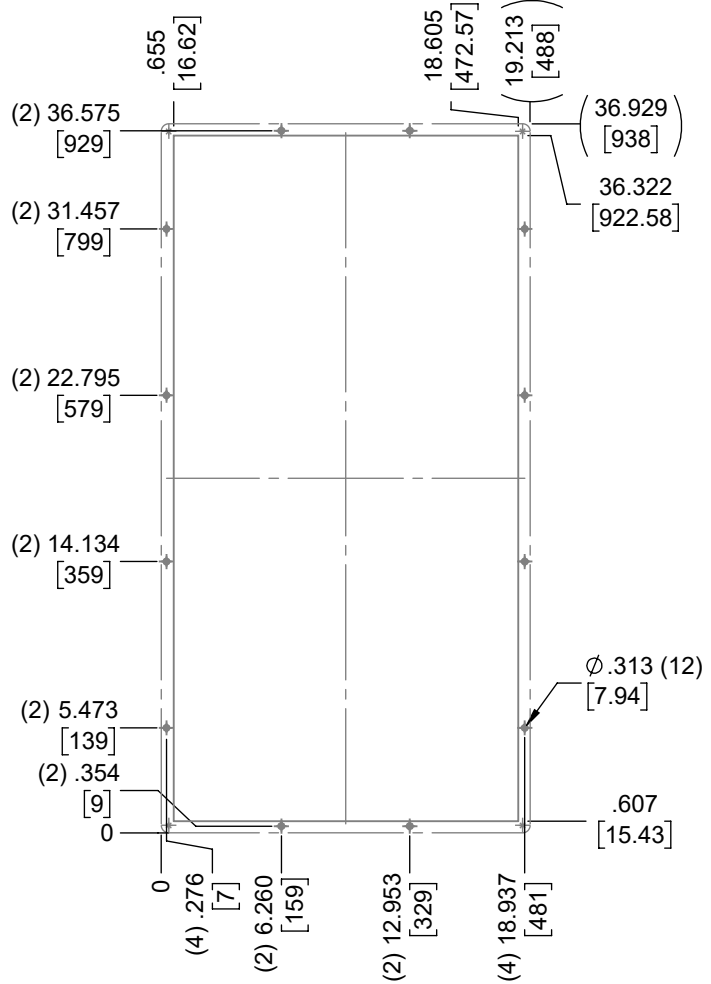
A



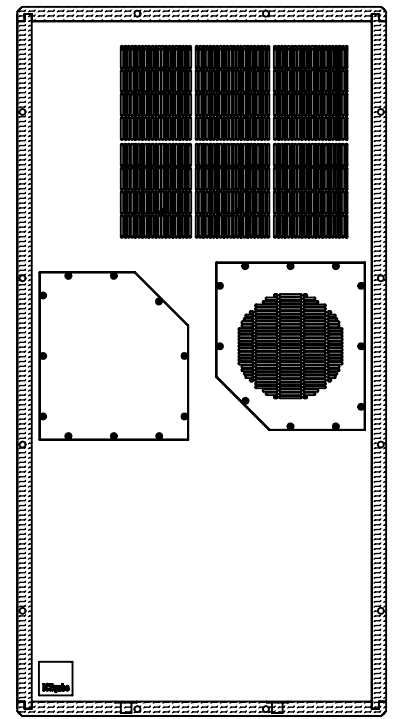
AMBIENT AIR EXHAUST

AMBIENT AIR INLET

CUTOUT TEMPLATE



GASKET VIEW



IMPORTANT
GASKET MUST BE APPLIED AS SHOWN
FOR PROPER OPERATION AND TO
MAINTAIN NEMA INTEGRITY

PART NUMBER <i>N/A</i>		USED ON <i>IQ3500B</i>	
MATERIAL <i>N/A</i>			
EST WT: DRAWN BY <i>ART</i>	DATE <i>3/18/2015</i>	SCALE <i>1:10</i>	

UNLESS OTHERWISE SPECIFIED TOLERANCES	
.X	$\pm .060$
.XX	$\pm .030$
.XXX	$\pm .015$
FRACTIONAL	$\pm 1/4$
ANGULAR	$\pm 1/2^\circ$
SURFACE FINISH $\sqrt{63}$	
DO NOT SCALE DRAWING DIMENSIONS ARE INCHES	

ICE QUBE, INC.
THIS IS A PROPRIETARY DOCUMENT. DO NOT REPRODUCE OR DISCLOSE WITHOUT THE EXPRESS WRITTEN PERMISSION OF ICE QUBE, INC.

DESCRIPTION
SPEC DRAWING, IQ3500B

DRAWING NUMBER
IQ350399

REV
E