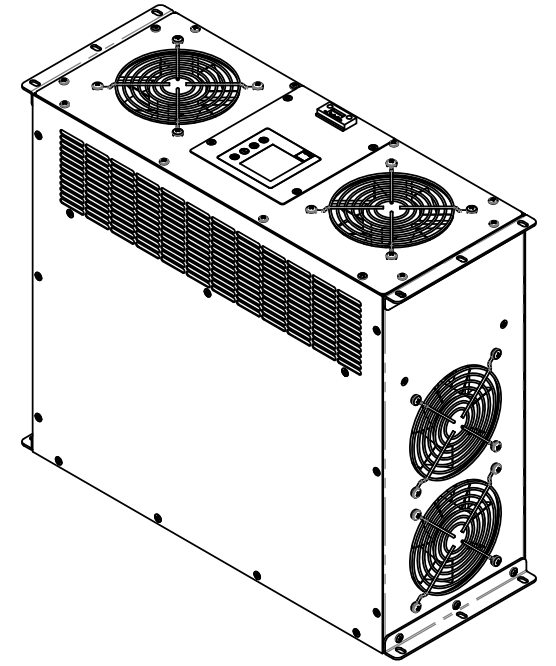
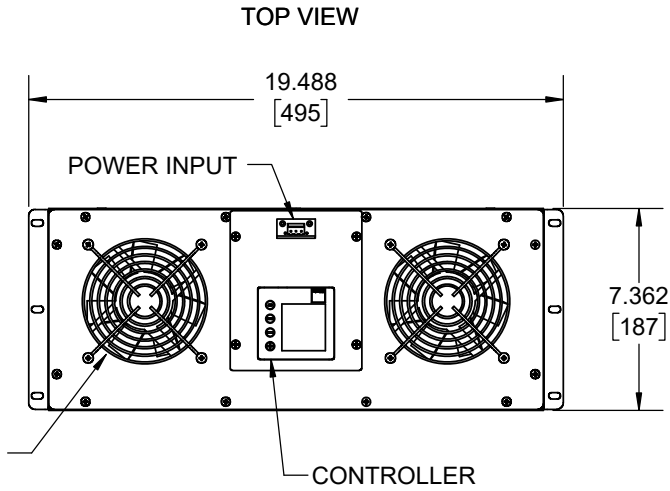
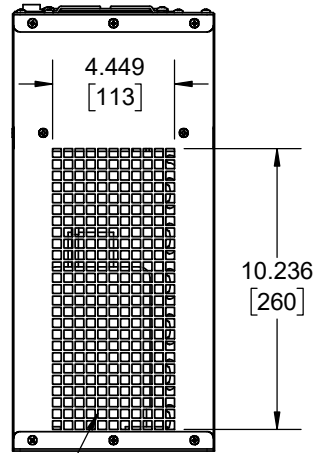
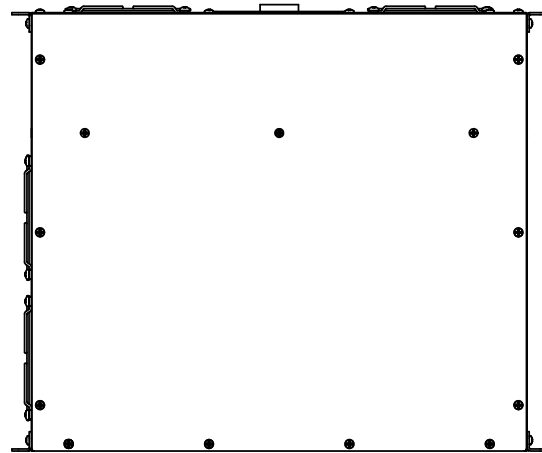


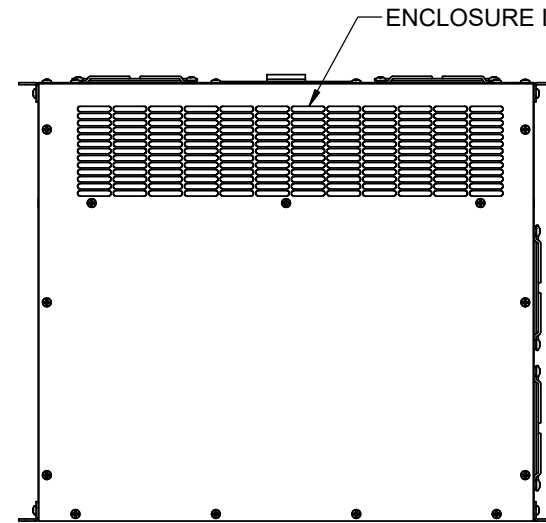
# IQ2000I



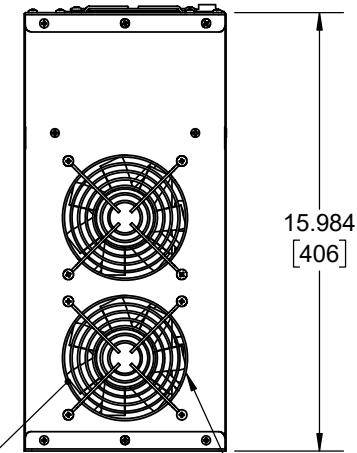
SIDE VIEWS OF UNIT



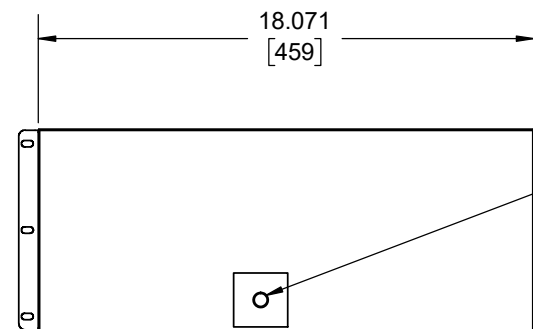
AMBIENT AIR INTAKE



Ø4.567 TYP



AMBIENT AIR EXHAUST



BOTTOM VIEW

**IQ2000I**  
 NOMINAL COOLING CAPACITY:  
 2000 BTUH (600 W) @ 131°F (55°C)  
 MAXIMUM AMPS: 5.8 (696W) @ 120V/60Hz  
 MAXIMUM AMPS: 3.0 (690W) @ 230V/60Hz/50Hz  
 MAXIMUM OPERATION TEMPERATURE: 131°F (55°C)  
 NOMINAL HEATING CAPACITY:  
 1350 BTUH (400W)  
 DIMENSIONS: 18.11" (460MM) L x 7.87" (200MM) W x 16.14" (410MM) H  
 WEIGHT: 44.09 LBS (20 KG) @120/230 V  
 REFRIGERANT CHARGE : R134-A

A	PRODUCT RELEASE	JWS	2/24/2020				
REV	REVISION	CHG	DATE	APP	DATE	CN #	

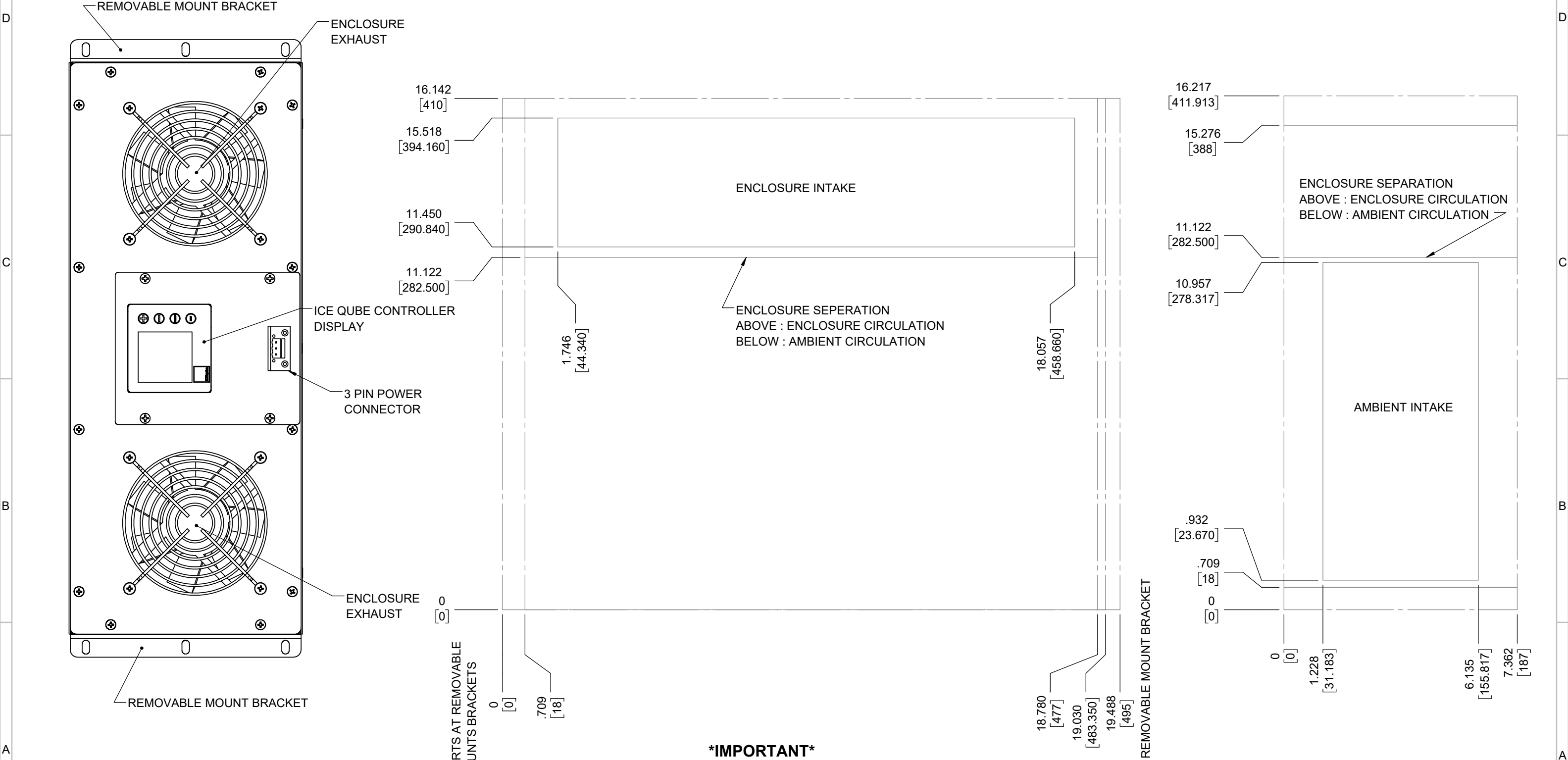
ITEM NUMBER	N/A
MATERIAL	N/A
EST WT:	lbs
DRAWN BY	JWS

USED ON	IQ2000I
DATE	2/24/2020
SCALE	1:7

UNLESS OTHERWISE SPECIFIED TOLERANCES	
.X	±.060
.XX	±.030
.XXX	±.015
FRACTIONAL	±1/16
ANGULAR	±1/2°
SURFACE FINISH	63
DO NOT SCALE DRAWING DIMENSIONS ARE INCHES	

**ICE QUBE, INC.**  
THIS IS A PROPRIETARY DOCUMENT. DO NOT REPRODUCE OR DISCLOSE WITHOUT THE EXPRESS WRITTEN PERMISSION OF ICE QUBE, INC.  
 DESCRIPTION  
**IQ2000I SPEC DRAWINGS**  
 DRAWING NUMBER  
**IQ352312**  
 REV  
**A**

# IQ2000I INTERNAL MOUNT SERIES



INTERNAL CIRCULATION = 250 CFM  
EXTERNAL CIRCULATION = 300 CFM  
SOUND LEVEL 65 dBA  
INGRESS PROTECTION: IP55

**\*IMPORTANT\***  
**UNIT MUST REMAIN UPRIGHT**  
**SEPRARAION OF ENCLOSURE AIR AND AMBIENT AIR IS**  
**REQUIRED**  
**CUTOUT PURPOSE IS FOT DEMONSTRATION OF CLEARANCE**  
**NEEDED TO INSTALL UNIT.**

ITEM NUMBER N/A	USED ON IQ2000I
MATERIAL N/A	
EST WT: lbs	
DRAWN BY JWS	DATE 2/24/20
	SCALE 1:3

UNLESS OTHERWISE SPECIFIED TOLERANCES	
X	±.060
.XX	±.030
.XXX	±.015
FRACTIONAL	±1/4
ANGULAR	±1/2°
SURFACE FINISH 63	
DO NOT SCALE DRAWING DIMENSIONS ARE INCHES	

**ICE QUBE, INC.**  
THIS IS A PROPRIETARY DOCUMENT. DO NOT REPRODUCE OR DISCLOSE WITHOUT THE EXPRESS WRITTEN PERMISSION OF ICE QUBE, INC.

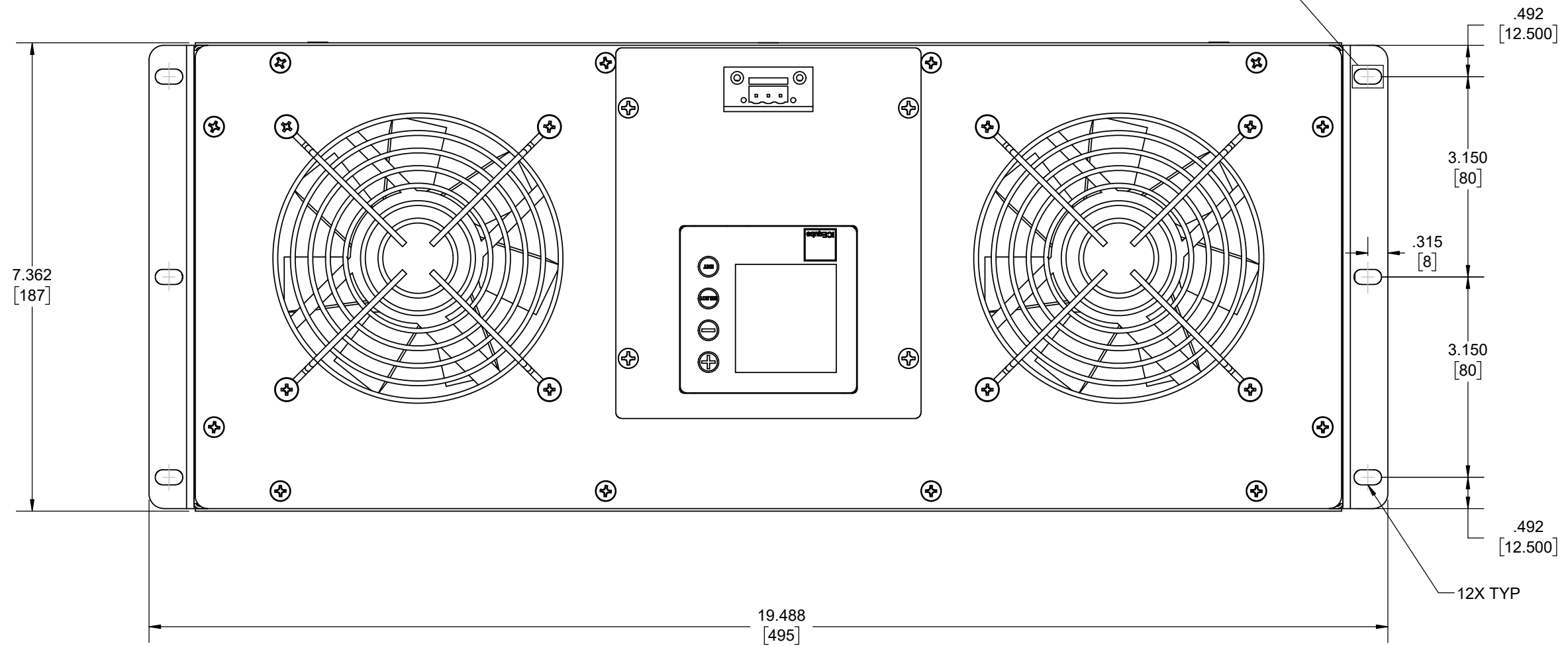
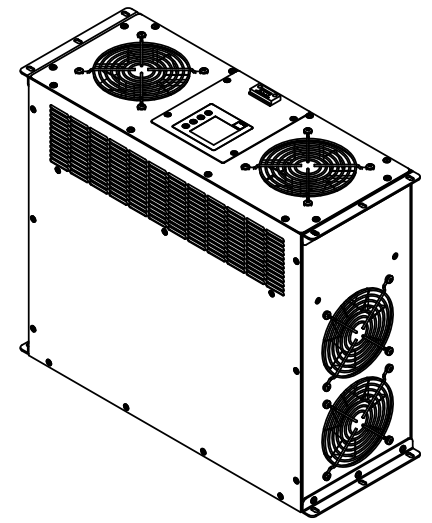
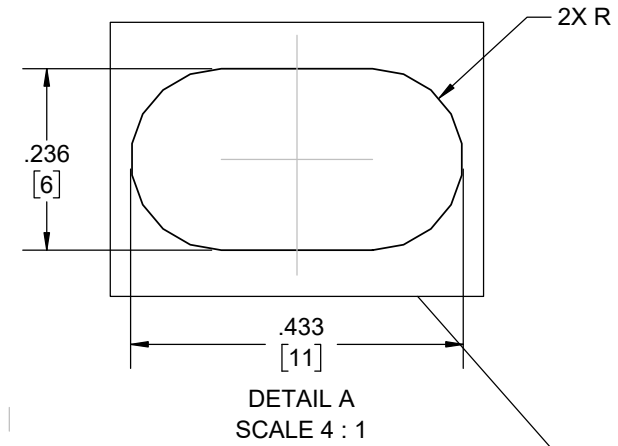
DESCRIPTION  
**IQ2000I SPEC DRAWINGS**

DRAWING NUMBER  
**IQ352312**

REV  
**A**

**NOTES ON DIMENSIONS FOR MOUNTING:**

ALL MOUNT BRACKETS ARE THE SAME SIZE.  
 ALL SLOTS ARE THE SAME SIZE SEE DETAIL A.  
 USE (6) SUPPLIED M5 MOUNTING HARDWARE (BOLTS, WASHERS AND NUTS) TO INSTALL UNIT.



**\*IMPORTANT\***  
**CONTROLLER LOCATED ON TOP OF UNIT.**  
**UNIT MUST REMAIN UPRIGHT.**

ITEM NUMBER N/A	USED ON IQ2000I
MATERIAL N/A	
EST WT: lbs	
DRAWN BY DJA	DATE 07/12/2020
	SCALE 1:2

UNLESS OTHERWISE SPECIFIED TOLERANCES
.X ±.060
.XX ±.030
.XXX ±.015
FRACTIONAL ±1/4
ANGULAR ±1/2°
SURFACE FINISH 63
DO NOT SCALE DRAWING DIMENSIONS ARE INCHES

<b>ICE QUBE, INC.</b>	
THIS IS A PROPRIETARY DOCUMENT. DO NOT REPRODUCE OR DISCLOSE WITHOUT THE EXPRESS WRITTEN PERMISSION OF ICE QUBE, INC.	
DESCRIPTION IQ2000I SPEC DRAWINGS	
DRAWING NUMBER IQ352312	REV A