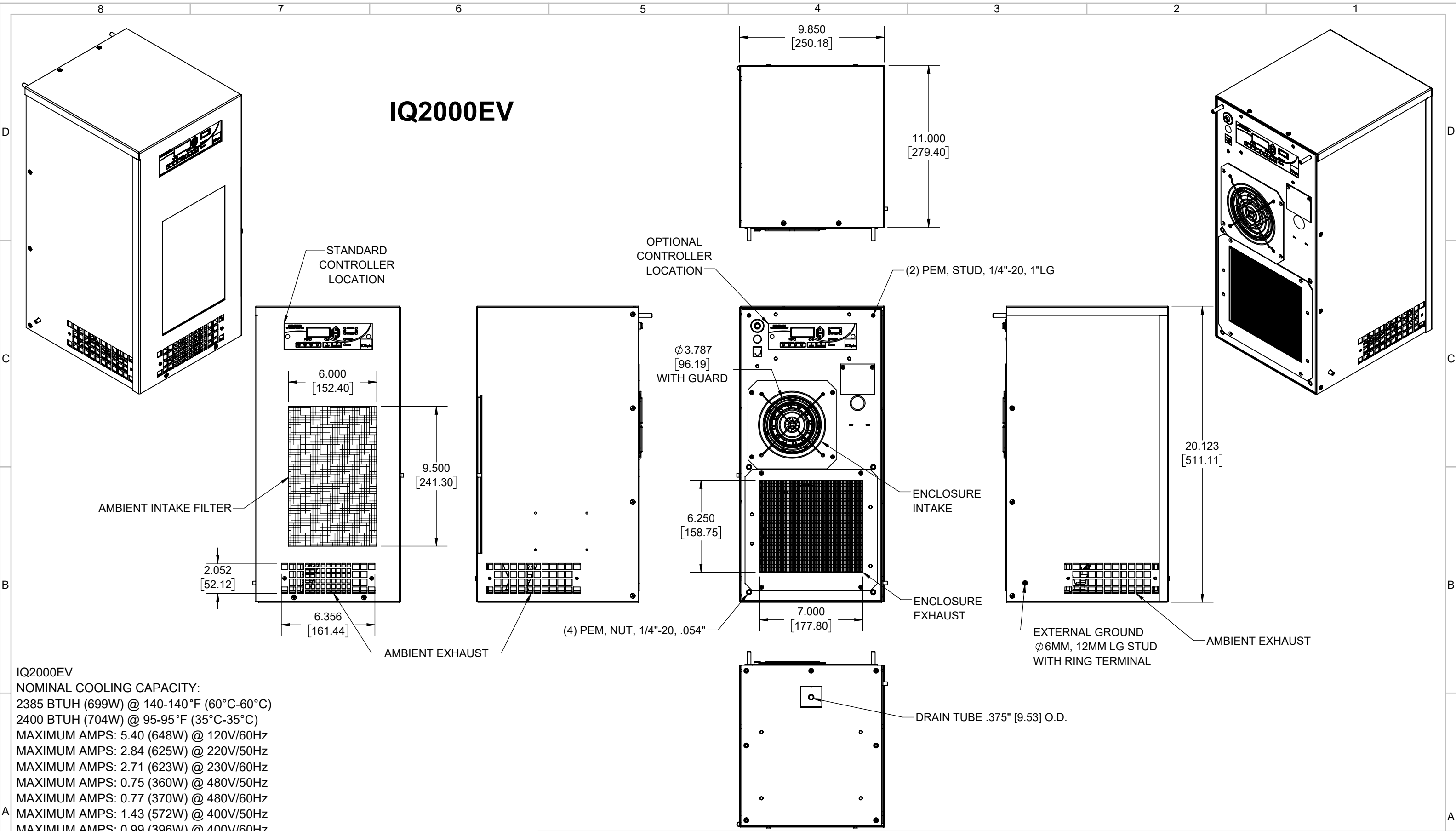


# IQ2000EV



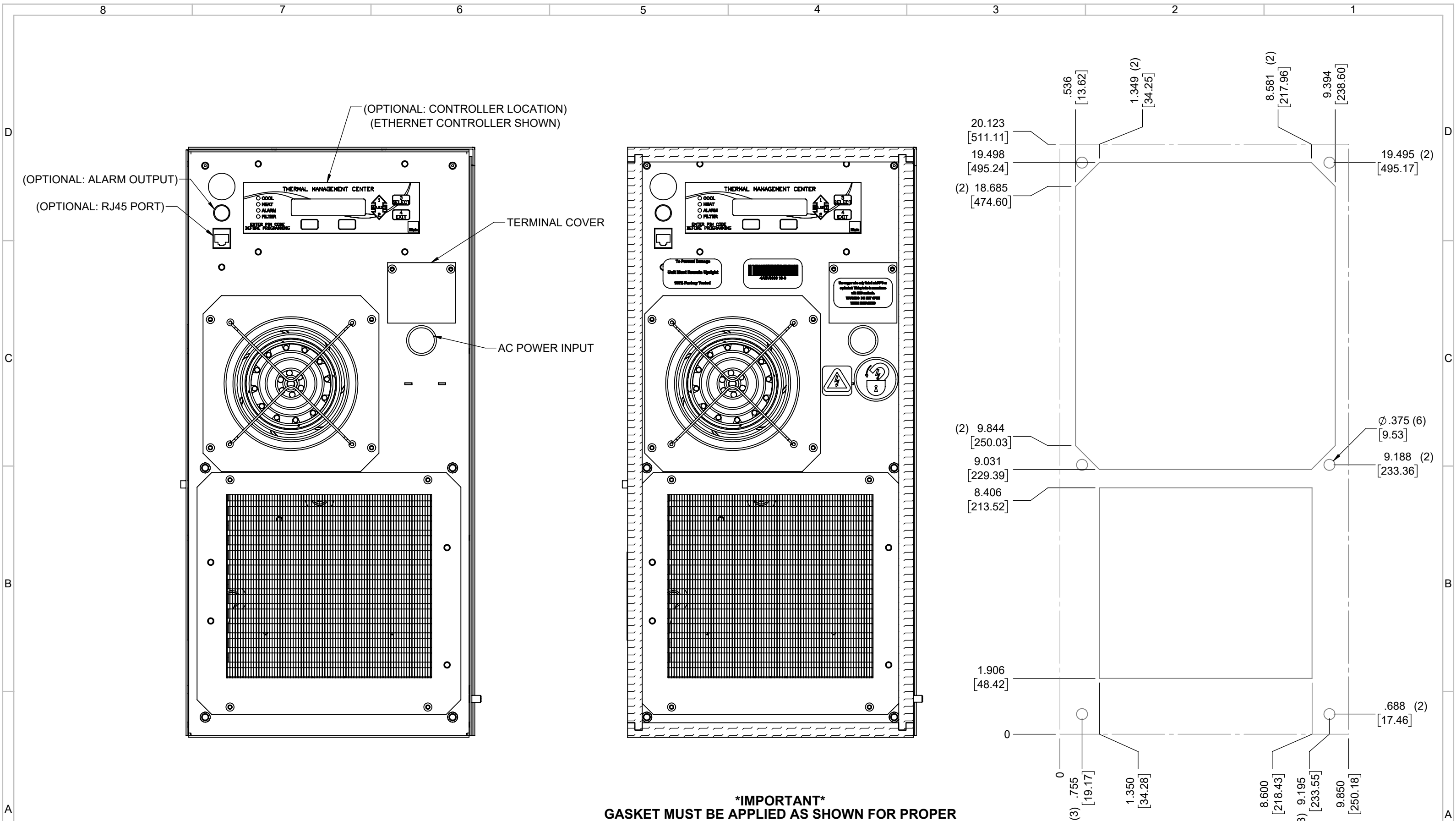
**IQ2000EV**  
 NOMINAL COOLING CAPACITY:  
 2385 BTUH (699W) @ 140-140°F (60°C-60°C)  
 2400 BTUH (704W) @ 95-95°F (35°C-35°C)  
 MAXIMUM AMPS: 5.40 (648W) @ 120V/60Hz  
 MAXIMUM AMPS: 2.84 (625W) @ 220V/50Hz  
 MAXIMUM AMPS: 2.71 (623W) @ 230V/60Hz  
 MAXIMUM AMPS: 0.75 (360W) @ 480V/50Hz  
 MAXIMUM AMPS: 0.77 (370W) @ 480V/60Hz  
 MAXIMUM AMPS: 1.43 (572W) @ 400V/50Hz  
 MAXIMUM AMPS: 0.99 (396W) @ 400V/60Hz  
 MAXIMUM OPERATING TEMPERATURE: 140°F 60°C  
 DIMENSIONS: 20.123" (511MM) H x 9.850" (250MM) W x 11.000" (279MM) D  
 WEIGHT: 57.5 LBS (26.1KG) @ 120/220/230V  
 WEIGHT: 72.5 LBS (32.9KG) @ 400/480V  
 REFRIGERANT CHARGE: R134-A 100Z (284G)

REV	REVISION	CHG	DATE	APP	DATE	CN #
C	UPDATED CUTOUT DIMENSIONS	NAT	4/7/2020			
B	ADDED CFM, dBA, AND CLEARANCE INFO	RCC	5/11/2018	ART	5/11/2018	1347
A	PRODUCTION RELEASE	ART	11/6/2017	JGG	11/6/2017	1331

ITEM NUMBER	N/A	USED ON	IQ2000EV
MATERIAL	N/A		
EST WT:	lbs		
DRAWN BY	ART	DATE	11/6/2017
		SCALE	1:6

UNLESS OTHERWISE SPECIFIED TOLERANCES	
.X	±.060
.XX	±.030
.XXX	±.015
FRACTIONAL	±1/16
ANGULAR	±1/2°
SURFACE FINISH	63
DO NOT SCALE DRAWING DIMENSIONS ARE INCHES	

**ICE QUBE, INC.**  
THIS IS A PROPRIETARY DOCUMENT. DO NOT REPRODUCE OR DISCLOSE WITHOUT THE EXPRESS WRITTEN PERMISSION OF ICE QUBE, INC.  
**IQ2000EV SPEC DRAWING**  
 DRAWING NUMBER: **IQ351466**  
 REV: **C**



EVAP. OUTLET ≈ 175 CFM  
 COND. OUTLET ≈ 350 CFM  
 SOUND LEVEL @5FT FROM UNIT @ A HT. OF 3FT = 64 dBA  
 SOUND LEVEL @2FT FROM UNIT @ A HT. OF 5FT = 68 dBA  
 CONDENSER INLET MIN. CLEARANCE 1.84"

**\*IMPORTANT\***  
**GASKET MUST BE APPLIED AS SHOWN FOR PROPER OPERATION AND TO MAINTAIN ENCLOSURE INTEGRITY**

ITEM NUMBER N/A	USED ON IQ2000EV	UNLESS OTHERWISE SPECIFIED TOLERANCES X ±.060 .XX ±.030 .XXX ±.015	ICE QUBE, INC. THIS IS A PROPRIETARY DOCUMENT. DO NOT REPRODUCE OR DISCLOSE WITHOUT THE EXPRESS WRITTEN PERMISSION OF ICE QUBE, INC.
MATERIAL N/A		FRACTIONAL ±1/4 ANGULAR ±1/2°	
EST. WT.: lbs	DATE 11/6/2017	SCALE 1:3	DESCRIPTION IQ2000EV SPEC DRAWING
DRAWN BY ART			DRAWING NUMBER IQ351466
			REV C