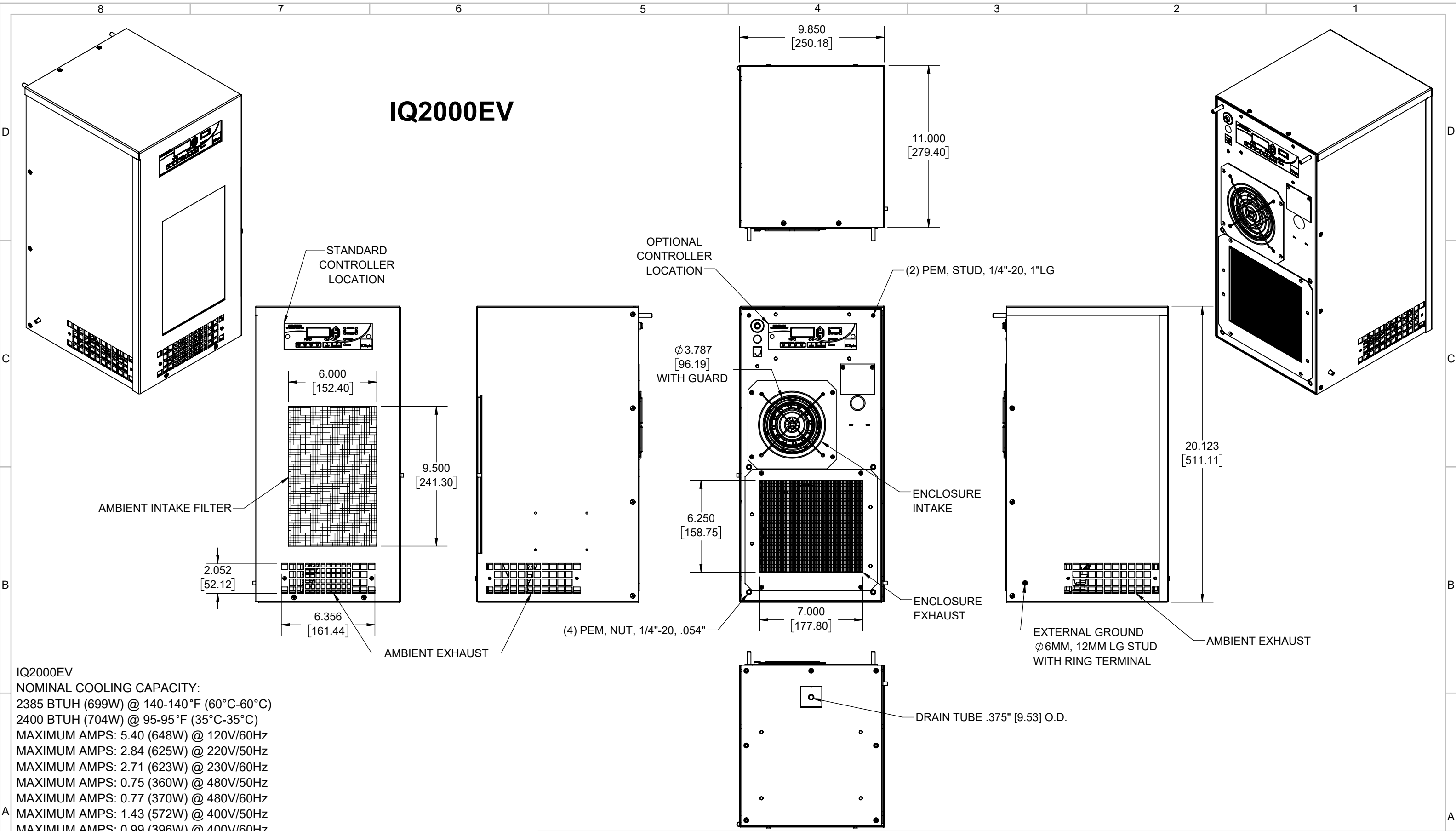


IQ2000EV



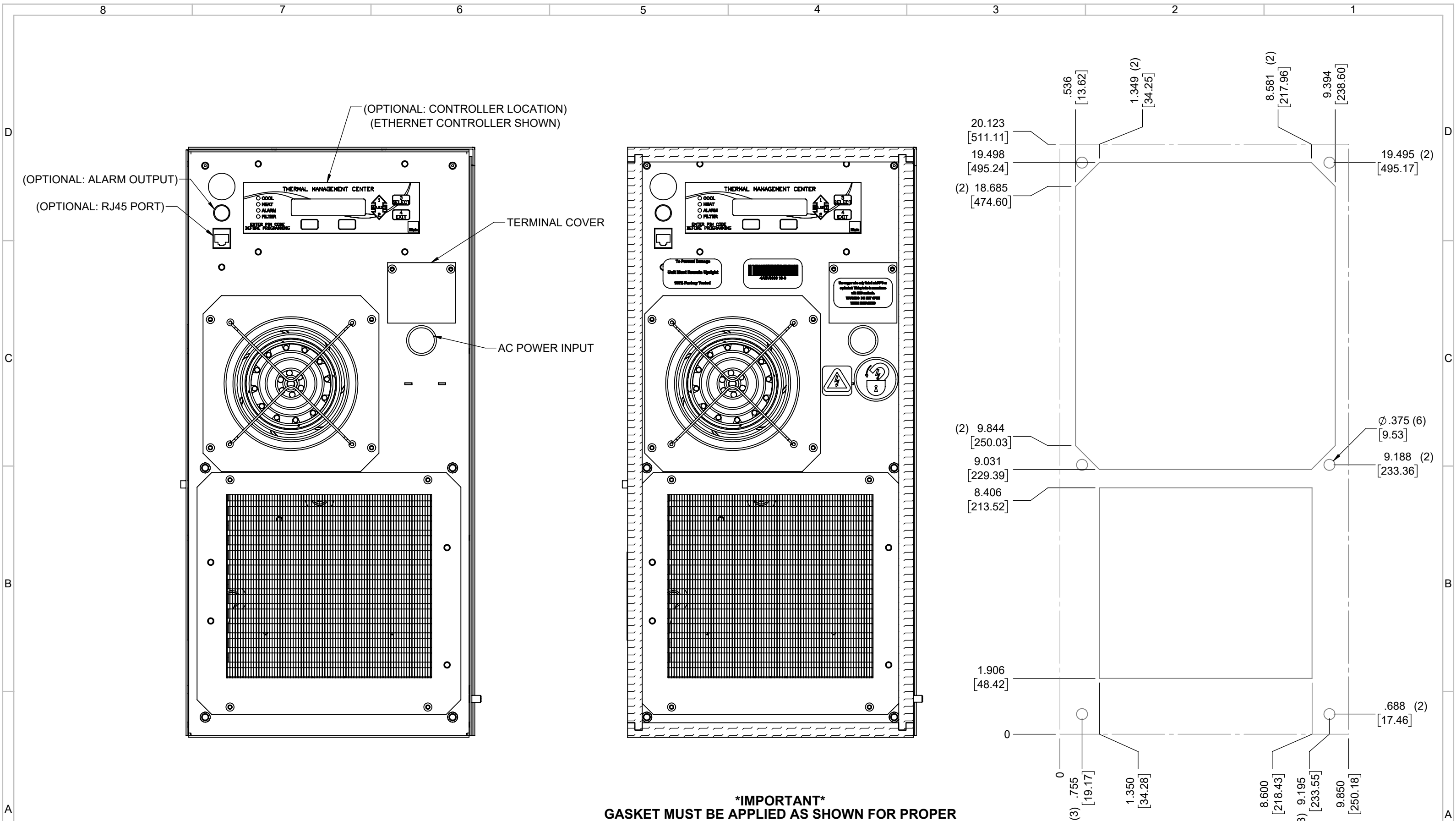
IQ2000EV
 NOMINAL COOLING CAPACITY:
 2385 BTUH (699W) @ 140-140°F (60°C-60°C)
 2400 BTUH (704W) @ 95-95°F (35°C-35°C)
 MAXIMUM AMPS: 5.40 (648W) @ 120V/60Hz
 MAXIMUM AMPS: 2.84 (625W) @ 220V/50Hz
 MAXIMUM AMPS: 2.71 (623W) @ 230V/60Hz
 MAXIMUM AMPS: 0.75 (360W) @ 480V/50Hz
 MAXIMUM AMPS: 0.77 (370W) @ 480V/60Hz
 MAXIMUM AMPS: 1.43 (572W) @ 400V/50Hz
 MAXIMUM AMPS: 0.99 (396W) @ 400V/60Hz
 MAXIMUM OPERATING TEMPERATURE: 140°F 60°C
 DIMENSIONS: 20.123" (511MM) H x 9.850" (250MM) W x 11.000" (279MM) D
 WEIGHT: 57.5 LBS (26.1KG) @ 120/220/230V
 WEIGHT: 72.5 LBS (32.9KG) @ 400/480V
 REFRIGERANT CHARGE: R134-A 100Z (284G)

REV	REVISION	CHG	DATE	APP	DATE	CN #
C	UPDATED CUTOUT DIMENSIONS	NAT	4/7/2020			
B	ADDED CFM, dBA, AND CLEARANCE INFO	RCC	5/11/2018	ART	5/11/2018	1347
A	PRODUCTION RELEASE	ART	11/6/2017	JGG	11/6/2017	1331

ITEM NUMBER	N/A	USED ON	IQ2000EV
MATERIAL	N/A		
EST WT:	lbs		
DRAWN BY	ART	DATE	11/6/2017
		SCALE	1:6

UNLESS OTHERWISE SPECIFIED TOLERANCES	
X	±.060
.XX	±.030
.XXX	±.015
FRACTIONAL	±1/16
ANGULAR	±1/2°
SURFACE FINISH	63
DO NOT SCALE DRAWING DIMENSIONS ARE INCHES	

ICE QUBE, INC.
THIS IS A PROPRIETARY DOCUMENT. DO NOT REPRODUCE OR DISCLOSE WITHOUT THE EXPRESS WRITTEN PERMISSION OF ICE QUBE, INC.
IQ2000EV SPEC DRAWING
 DRAWING NUMBER: **IQ351466**
 REV: **C**

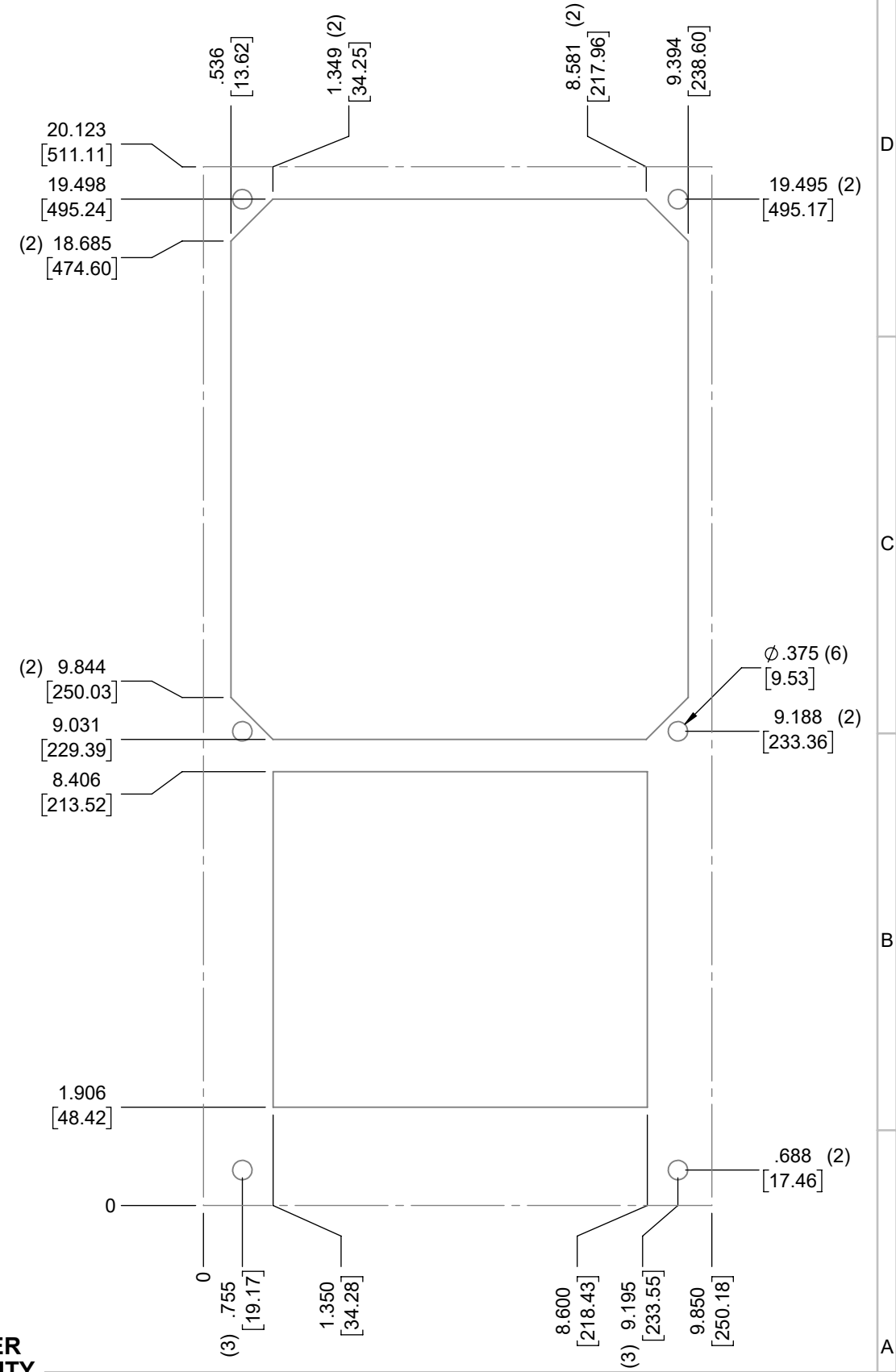


(OPTIONAL: ALARM OUTPUT)
(OPTIONAL: RJ45 PORT)
(OPTIONAL: CONTROLLER LOCATION)
(ETHERNET CONTROLLER SHOWN)
THERMAL MANAGEMENT CENTER
○ COOL
○ HEAT
○ ALARM
○ FILTER
ENTER PIN CODE
REFUSE PROGRAMMING

TERMINAL COVER
AC POWER INPUT

IMPORTANT
GASKET MUST BE APPLIED AS SHOWN FOR PROPER OPERATION AND TO MAINTAIN ENCLOSURE INTEGRITY

EVAP. OUTLET ≈ 175 CFM
COND. OUTLET ≈ 350 CFM
SOUND LEVEL @5FT FROM UNIT @ A HT. OF 3FT = 64 dBA
SOUND LEVEL @2FT FROM UNIT @ A HT. OF 5FT = 68 dBA
CONDENSER INLET MIN. CLEARANCE 1.84"



ITEM NUMBER N/A	USED ON IQ2000EV	UNLESS OTHERWISE SPECIFIED TOLERANCES X ±.060 .XX ±.030 .XXX ±.015	<p>THIS IS A PROPRIETARY DOCUMENT. DO NOT REPRODUCE OR DISCLOSE WITHOUT THE EXPRESS WRITTEN PERMISSION OF ICE QUBE, INC.</p>
MATERIAL N/A		FRACTIONAL ±1/4 ANGULAR ±1/2°	
EST WT: DRAWN BY ART	DATE 11/6/2017	SCALE 1:3	DESCRIPTION IQ2000EV SPEC DRAWING
			DRAWING NUMBER IQ351466
			REV C