

MODEL: IQ2000BDC

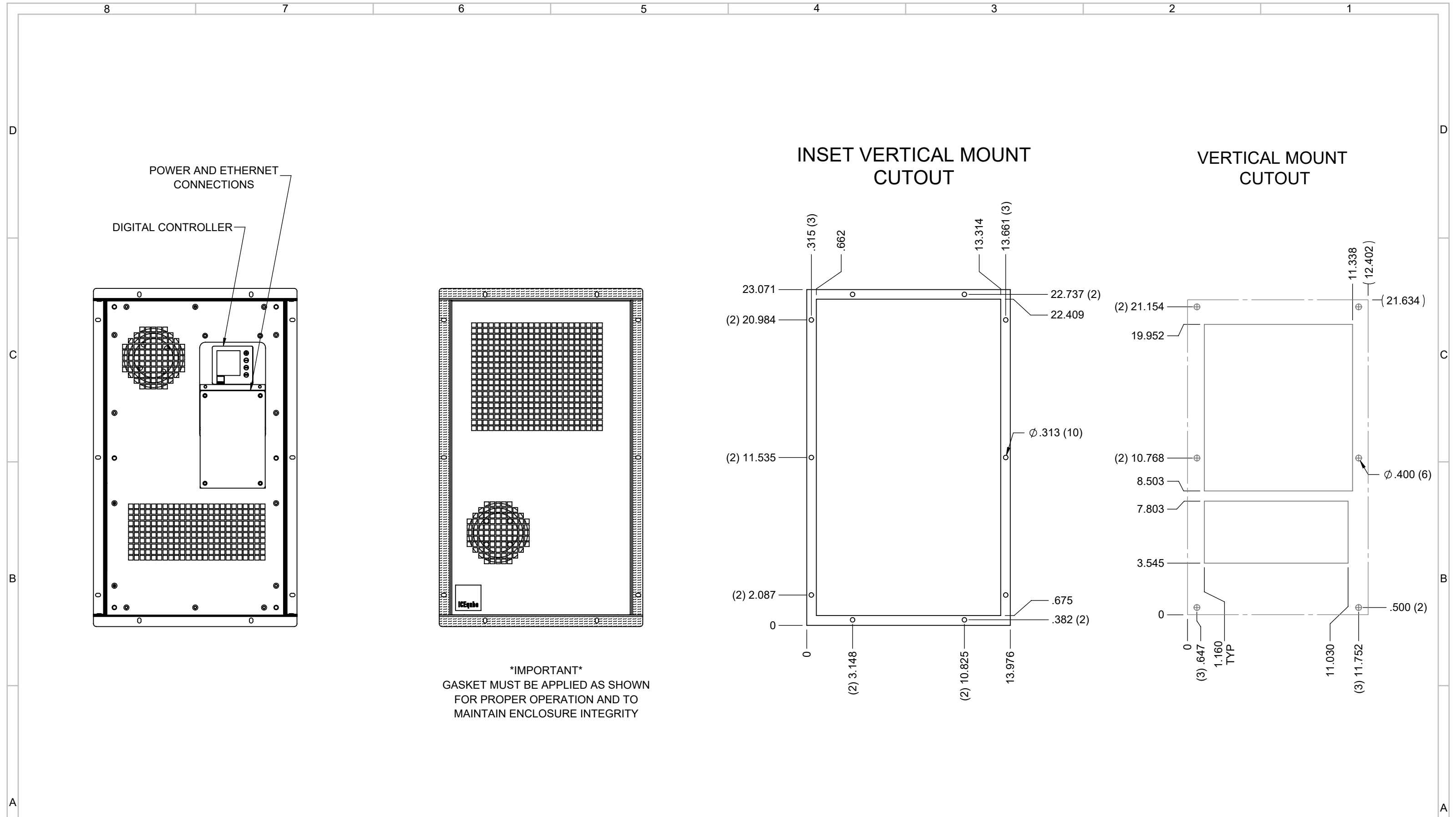
COOLING CAPACITY: 2047 BTU (600W)
 HEATING CAPACITY: 1365 BTU (400W)
 OPERATING CURRENT: 4.2A (202W) @ 48VDC @ 95°F (35°C)
 OPERATING TEMPERATURE RANGE: -40°F TO 131°F (-40°C TO 55°C) WITH LA PACKAGE
 DIMENSIONS W/O FLANGES: 21.65" H (550MM) X 12.60" W (320MM) X 6.89" D (175MM)
 DIMENSIONS W/ FLANGES: 23.07" H (586MM) X 13.98" W (355MM) X 6.89" D (175MM)
 MAXIMUM SOUND LEVEL @ 5FT FROM UNIT @ A HT. OF 3FT: 60 dBA
 MAXIMUM SOUND LEVEL @ 2FT FROM UNIT @ A HT. OF 5FT: 62.8 dBA
 WEIGHT: 50.7 LBS (23KG)
 REFRIGERANT: R134a

B	NEW VERTICAL METAL WORK, ADDED CFM'S	JWS	9/17/2021				
A	INITIAL DRAFT	NAT	9/28/2020				
REV	REVISION	CHG	DATE	APP	DATE	CN #	

ITEM NUMBER N/A	USED ON IQ2000BDC
MATERIAL N/A	
EST WT: lbs	
DRAWN BY NAT	DATE 9/28/2020
	SCALE 1:8

UNLESS OTHERWISE SPECIFIED TOLERANCES
.X ±.060
.XX ±.030
.XXX ±.015
FRACTIONAL ±1/16
ANGULAR ±1/2°
SURFACE FINISH 63
DO NOT SCALE DRAWING DIMENSIONS ARE INCHES

ICE QUBE, INC.
 THIS IS A PROPRIETARY DOCUMENT. DO NOT REPRODUCE OR DISCLOSE WITHOUT THE EXPRESS WRITTEN PERMISSION OF ICE QUBE, INC.
 DESCRIPTION
SPEC DRAWING
 DRAWING NUMBER
IQ352496
 REV
B



IMPORTANT
 GASKET MUST BE APPLIED AS SHOWN
 FOR PROPER OPERATION AND TO
 MAINTAIN ENCLOSURE INTEGRITY

EVAP. OUTLET ≈ 210 CFM
 COND. OUTLET ≈ 260 CFM

ITEM NUMBER <i>N/A</i>	USED ON <i>IQ2000BDC</i>	UNLESS OTHERWISE SPECIFIED TOLERANCES .X ±.060 .XX ±.030 .XXX ±.015 FRACTIONAL ±1/4 ANGULAR ±1/2° SURFACE FINISH 63	ICE QUBE, INC. <small>THIS IS A PROPRIETARY DOCUMENT. DO NOT REPRODUCE OR DISCLOSE WITHOUT THE EXPRESS WRITTEN PERMISSION OF ICE QUBE, INC.</small>
MATERIAL <i>N/A</i>			
EST. WT: lbs	DATE <i>9/28/2020</i>	SCALE <i>1:8</i>	DESCRIPTION SPEC DRAWING
DRAWN BY <i>NAT</i>			DRAWING NUMBER IQ352496
			REV B