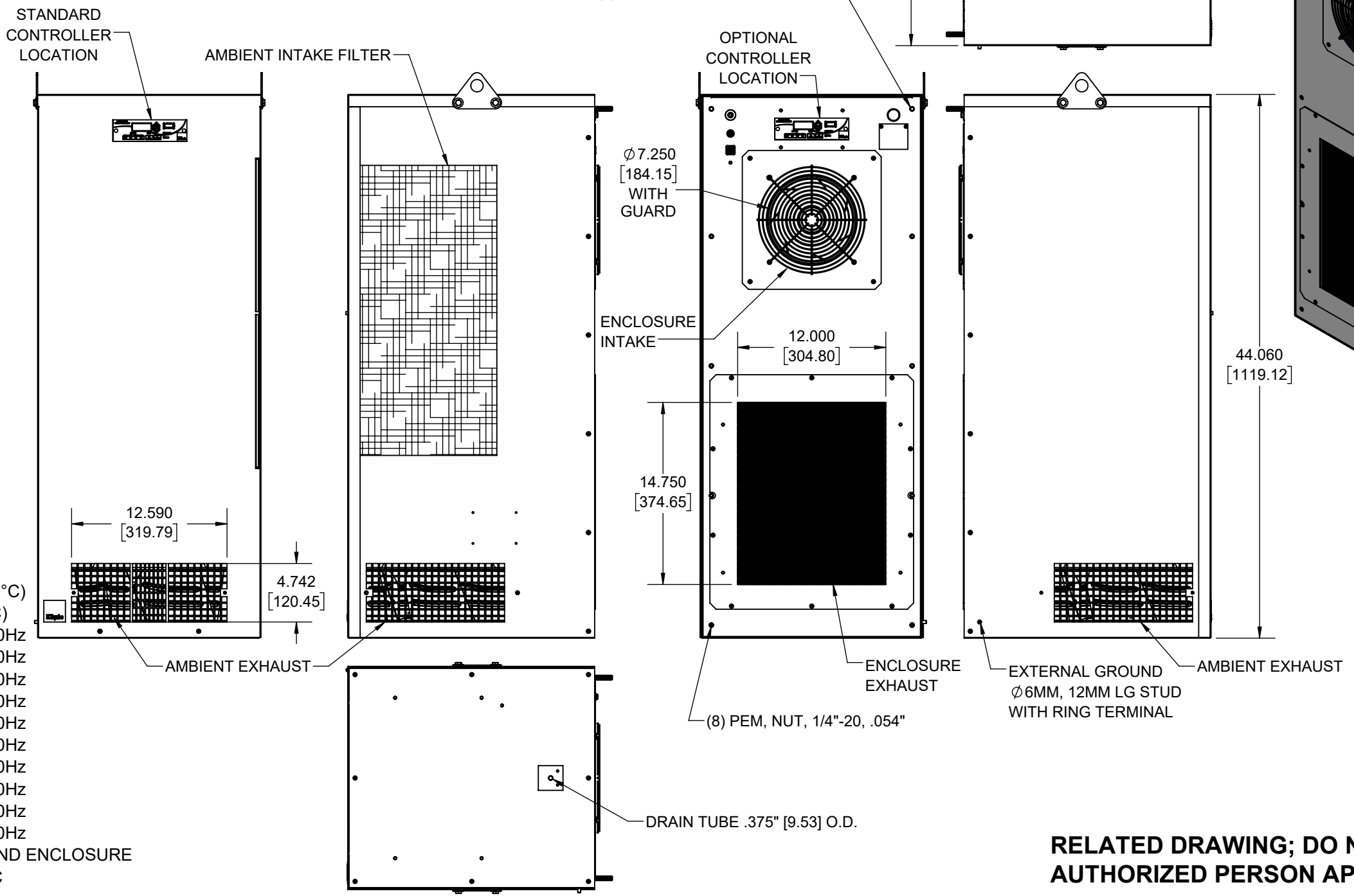
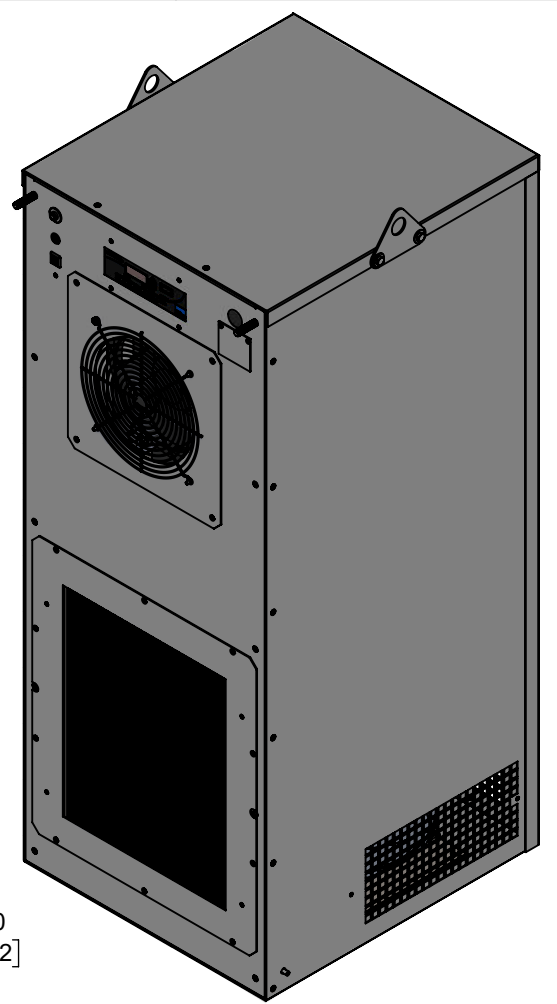
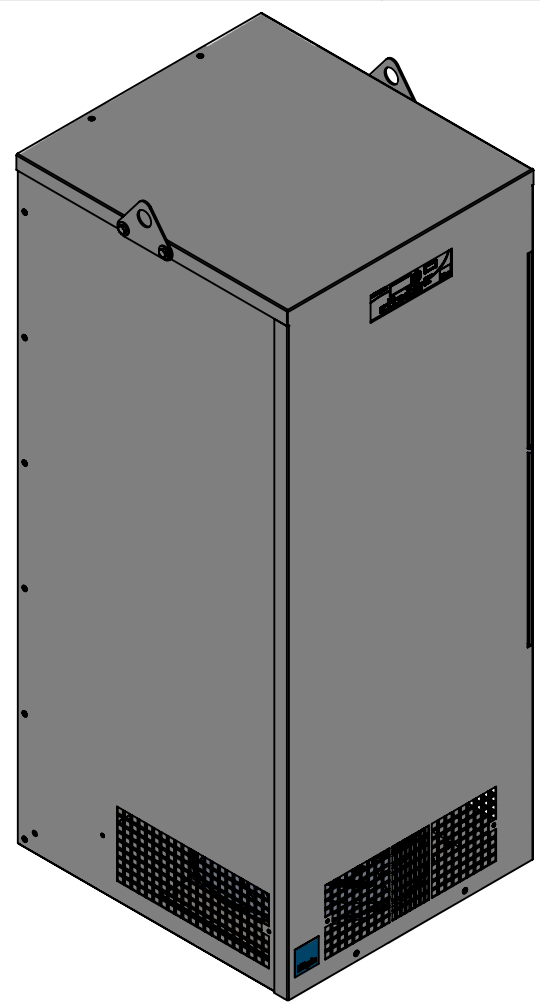


# IQ17000EVZ2 CLASS I ZONE 2 AEx / Ex ZONE 2 ATEX / IECEx CERTIFIED



IQ17000EVZ2  
 AEx ec IIC T<sub>1</sub> Gc  
 Ex ec IIC T<sub>1</sub> Gc  
 II 3G Ex ec IIC T<sub>1</sub> Gc  
 NOMINAL COOLING CAPACITY:  
 17509 BTUH (5131W) @ 140-140°F (60°C-60°C)  
 15144 BTUH (4437W) @ 95-95°F (35°C-35°C)  
 MAXIMUM AMPS: 13.76 (3027W) @ 220V/50Hz  
 MAXIMUM AMPS: 13.21 (3038W) @ 230V/60Hz  
 MAXIMUM AMPS: 12.65 (3035W) @ 240V/50Hz  
 MAXIMUM AMPS: 12.80 (3072W) @ 240V/60Hz  
 MAXIMUM AMPS: 6.81 (2724W) @ 400V/50Hz  
 MAXIMUM AMPS: 6.92 (2768W) @ 400V/60Hz  
 MAXIMUM AMPS: 7.13 (3135W) @ 440V/50Hz  
 MAXIMUM AMPS: 7.15 (3144W) @ 440V/60Hz  
 MAXIMUM AMPS: 6.74 (3235W) @ 480V/50Hz  
 MAXIMUM AMPS: 6.43 (3086W) @ 480V/60Hz  
 MAINTAINS IP66 BETWEEN EQUIPMENT AND ENCLOSURE  
 OPERATING TEMPERATURE: -40°C - +60°C  
 T CODE: W/O CRANKCASE- T5  
 T CODE: W/ CRANKCASE- T4  
 DIMENSIONS: 44.060" (1119MM) H x 18.060" (459MM) W x 20.000" (508MM) D  
 WEIGHT: 222 LBS (101KG) @ 220/230/240V  
 WEIGHT: 274 LBS (125KG) @ 400/440/480V  
 REFRIGERANT CHARGE-R407C: 44OZ (1247G)

**RELATED DRAWING; DO NOT CHANGE WITHOUT AUTHORIZED PERSON APPROVAL**

| REV | REVISION  | CHG | DATE      | APP | DATE      | CN #    |
|-----|---|-----|-----------|-----|-----------|---------|
| C   | ADDED AEx AND Ex CERTIFICATION INFORMATION                | NAT | 4/28/2021 |     |           | 21-0186 |
| B   | ADDED CFM, dBA, 240V AND 440V 50/60HZ, AND CLEARANCE INFO | RCC | 4/26/2018 | JGG | 4/26/2018 | 1347    |
| A   | PRODUCTION RELEASE  | ART | 12/4/2017 | JGG | 12/4/2017 | 1331    |

|                    |                        |
|--------------------|------------------------|
| ITEM NUMBER<br>N/A | USED ON<br>IQ17000EVZ2 |
| MATERIAL<br>N/A    |                        |
| EST WT: lbs        |                        |
| DRAWN BY<br>ART    | DATE<br>12/4/2017      |
|                    | SCALE<br>1:10          |

|  |       |
|--|-------|
| UNLESS OTHERWISE SPECIFIED TOLERANCES      |       |
| X  | ±.060 |
| .XX  | ±.030 |
| .XXX                                       | ±.015 |
| FRACTIONAL                                 | ±1/16 |
| ANGULAR                                    | ±1/2° |
| SURFACE FINISH                             | 63    |
| DO NOT SCALE DRAWING DIMENSIONS ARE INCHES |       |

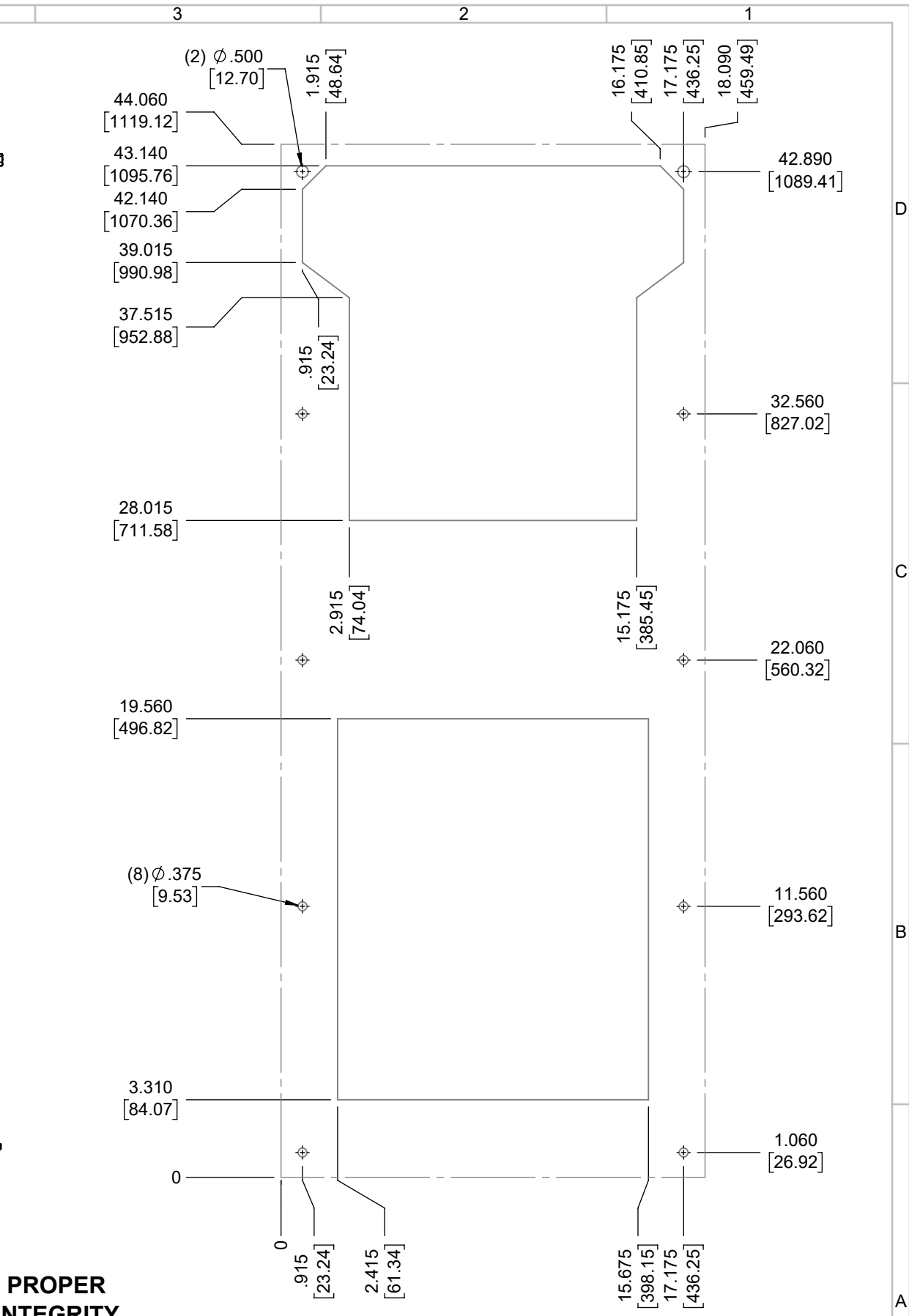
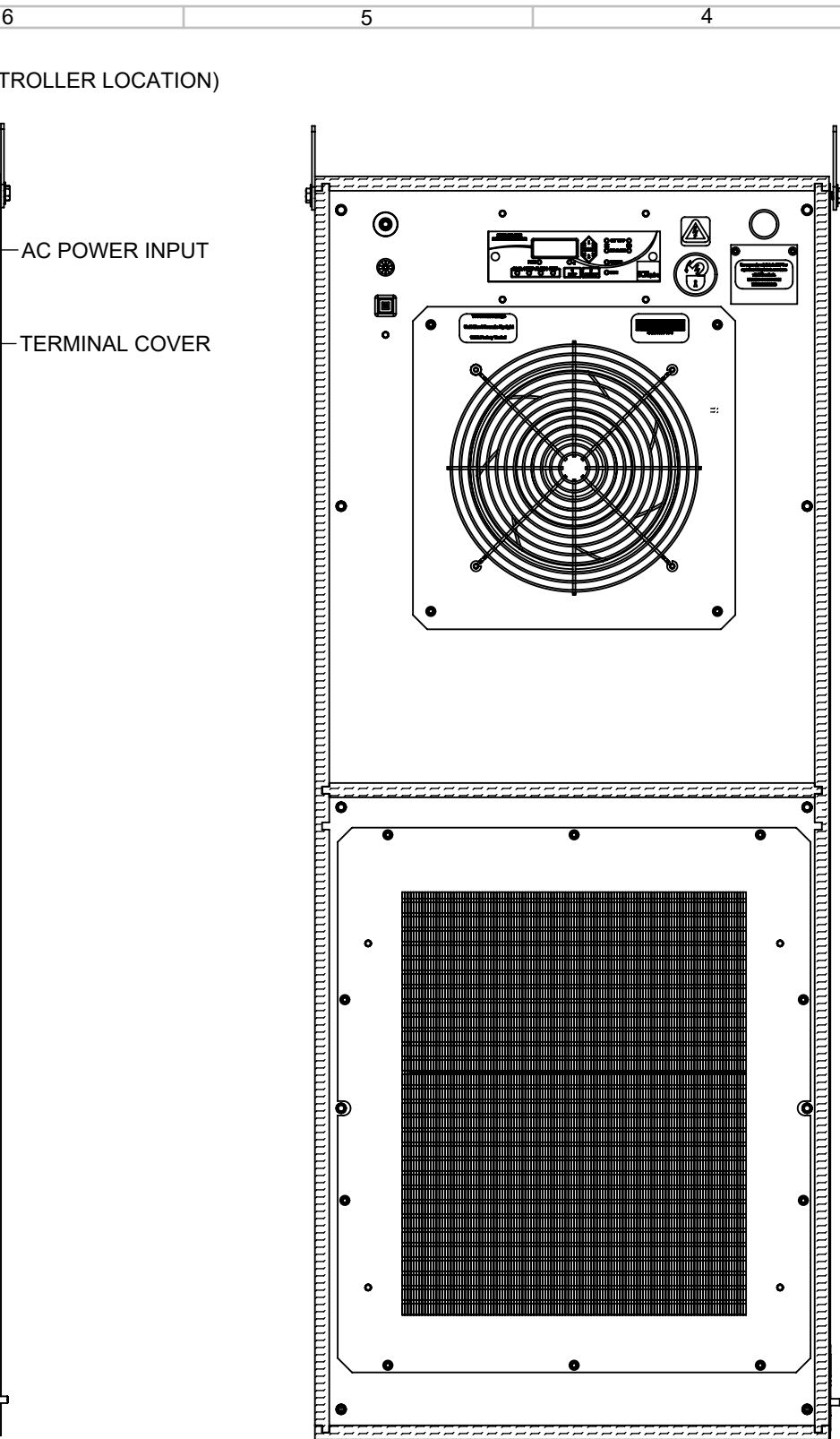
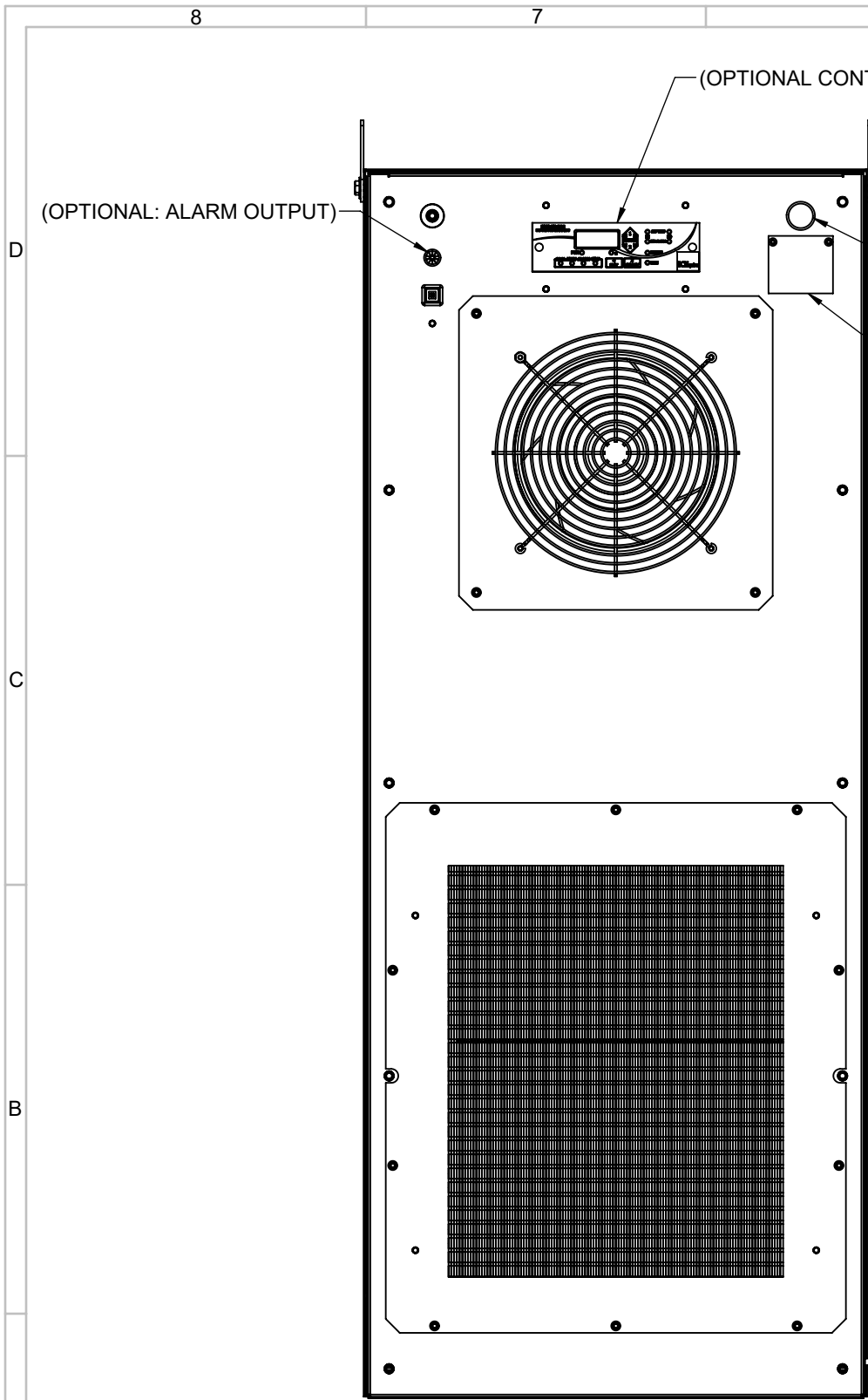
**ICE QUBE, INC.**

THIS IS A PROPRIETARY DOCUMENT. DO NOT REPRODUCE OR DISCLOSE WITHOUT THE EXPRESS WRITTEN PERMISSION OF ICE QUBE, INC.

DESCRIPTION  
**IQ17000EVZ2 ZONE 2 ATEX IECEx SPEC DRAWING**

DRAWING NUMBER  
**IQ351565**

REV  
**C**



**\*IMPORTANT\***  
**GASKET MUST BE APPLIED AS SHOWN FOR PROPER OPERATION AND TO MAINTAIN ENCLOSURE INTEGRITY**

EVAP. OUTLET ≈ 800 CFM  
 COND. OUTLET ≈ 1100 CFM  
 SOUND LEVEL @5FT FROM UNIT @ A HT. OF 3FT = 65 dBA  
 SOUND LEVEL @2FT FROM UNIT @ A HT. OF 5FT = 70 dBA  
 CONDENSER INLET MIN. CLEARANCE 3.76"

|                    |                        |   |   |
|--------------------|------------------------|---|---|
| ITEM NUMBER<br>N/A | USED ON<br>IQ17000EVZ2 | UNLESS OTHERWISE SPECIFIED TOLERANCES<br>X ±.060<br>.XX ±.030<br>.XXX ±.015 | ICE QUBE, INC.<br>THIS IS A PROPRIETARY DOCUMENT. DO NOT REPRODUCE OR DISCLOSE WITHOUT THE EXPRESS WRITTEN PERMISSION OF ICE QUBE, INC. |
| MATERIAL<br>N/A    |                        | FRACTIONAL ±1/4<br>ANGULAR ±1/2°  |   |
| EST. WT.: lbs      |                        | SURFACE FINISH 63   | DESCRIPTION<br>IQ17000EVZ2 ZONE 2 ATEX IECEx SPEC DRAWING   |
| DRAWN BY<br>ART    | DATE<br>12/4/2017      | SCALE<br>1:6  | DRAWING NUMBER<br>IQ351565  |
|                    |                        | DO NOT SCALE DRAWING DIMENSIONS ARE INCHES                                  | REV<br>C  |