

IQ14000V

NOMINAL COOLING CAPACITY:
 14750 BTUH (4323W) @ 131-131°F (55-55°C) 220/480 50HZ
 12750 BTUH (3737W) @ 95-95°F (35-35°C) 220/480 50HZ
 15100 BTUH (4425W) @ 131-131°F (55-55°C) 230/480 60HZ
 12900 BTUH (3780W) @ 95-95°F (35-35°C) 230/480 60HZ
 MAXIMUM AMPS: 12.6/11.6 @ 230V 50/60HZ
 MAXIMUM AMPS: 6.2/5.6 @ 480V 50/60HZ
 MAXIMUM OPERATING TEMP: 131°F (55°C)
 MINIMUM OPERATING TEMP: -40°F (-40°C)
 DIMENSIONS: 56.00" (1422MM) H X 20.06" (510MM) W X 14.31" (364MM) D
 WEIGHT: 200LB (90.72KG) @ 230V
 WEIGHT: 252LB (114.3KG) @ 480V

REV	CHG	DATE	APP	DATE	CN #
B		7/6/2021			
A		2/10/2020			

ITEM NUMBER N/A	USED ON IQ14000V
MATERIAL N/A	
EST WT: lbs	
DRAWN BY NAT	DATE 2/3/2020
	SCALE 1:12

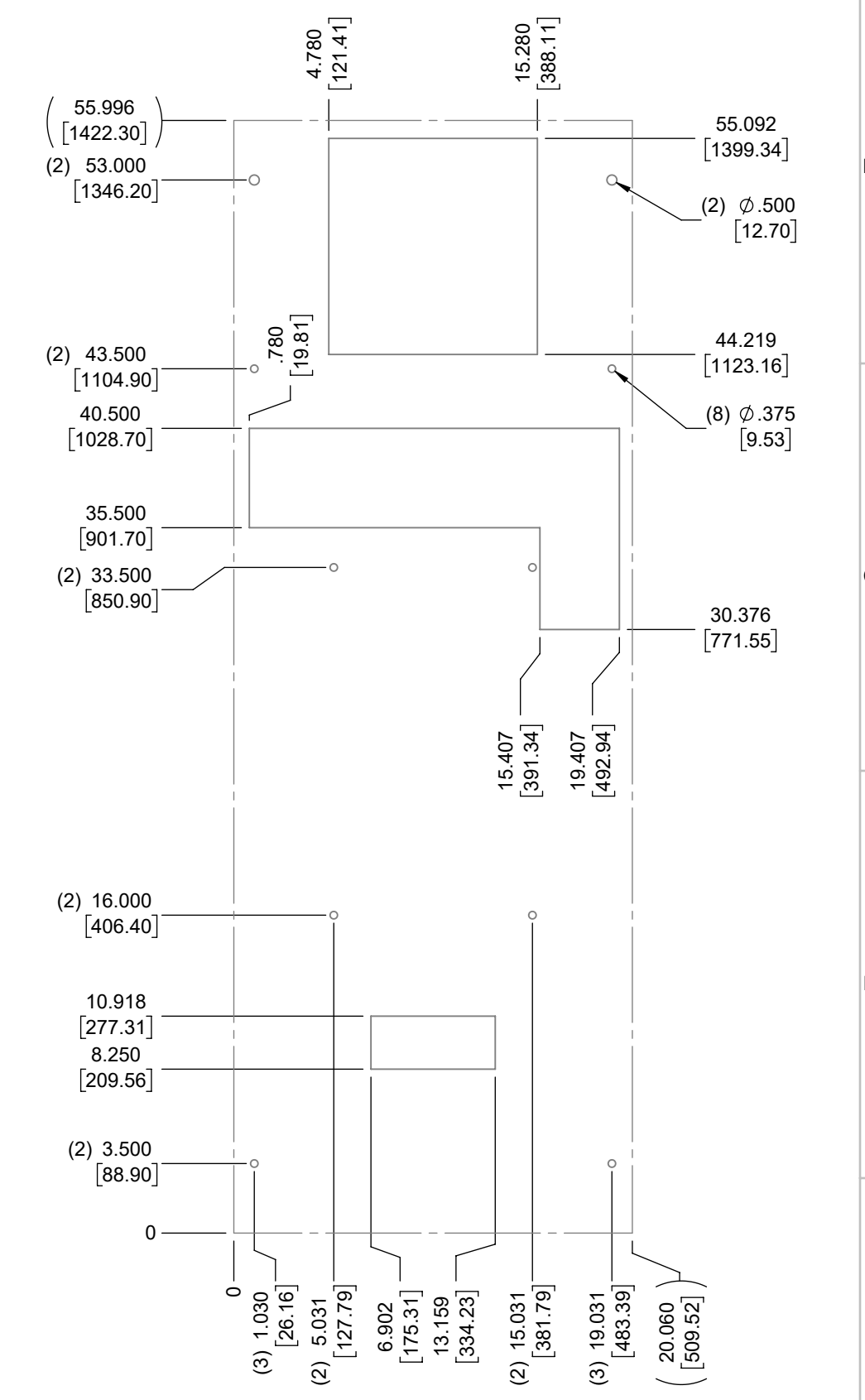
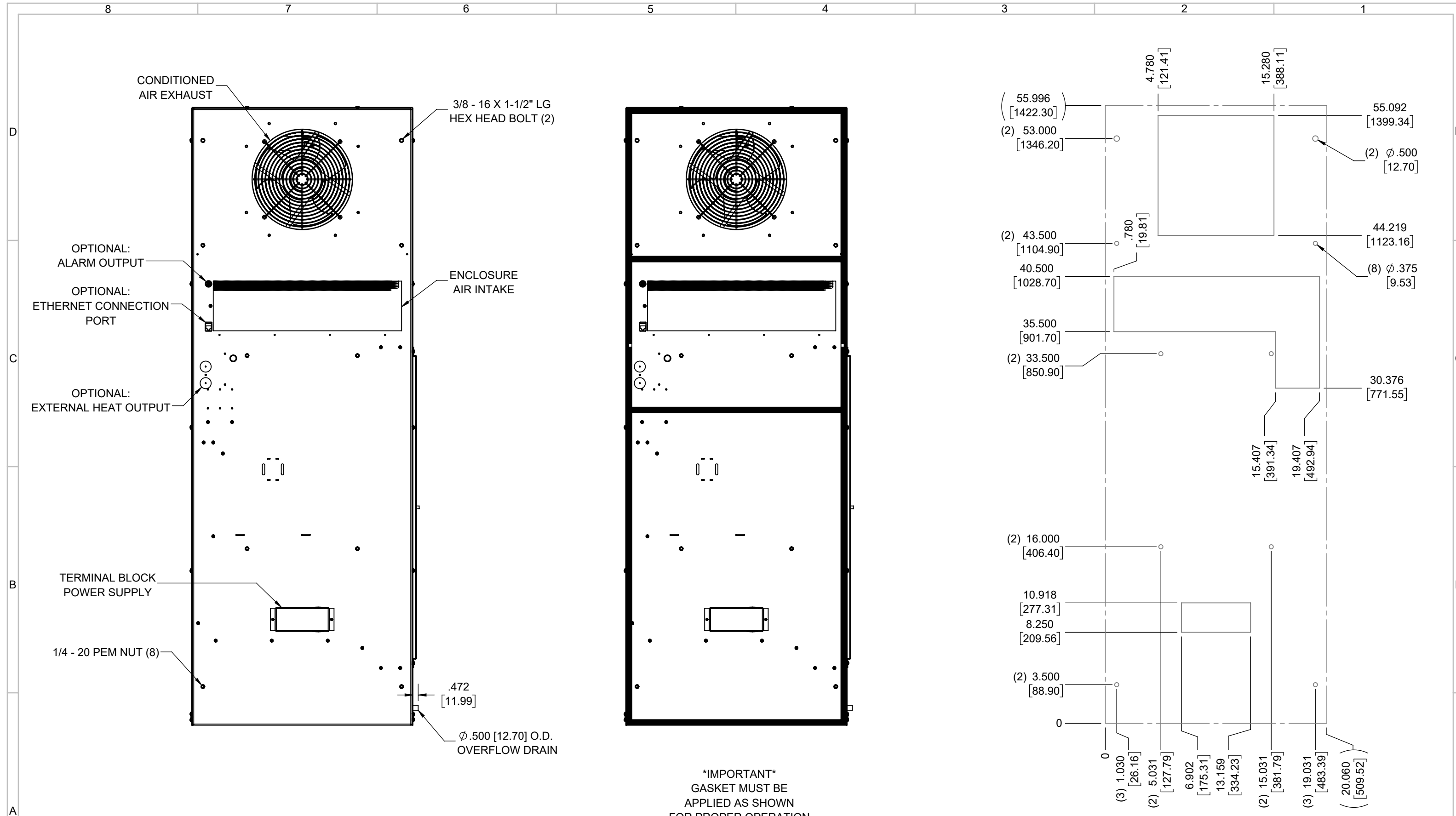
UNLESS OTHERWISE SPECIFIED TOLERANCES	
.X	±.060
.XX	±.030
.XXX	±.015
FRACTIONAL	±1/16
ANGULAR	±1/2°
SURFACE FINISH $\sqrt{63}$	
DO NOT SCALE DRAWING DIMENSIONS ARE INCHES	

ICE QUBE, INC.
 THIS IS A PROPRIETARY DOCUMENT. DO NOT REPRODUCE OR DISCLOSE WITHOUT THE EXPRESS WRITTEN PERMISSION OF ICE QUBE, INC.

DESCRIPTION
SPEC DRAWING

DRAWING NUMBER
IQ352302

REV
B



ITEM NUMBER N/A	USED ON IQ14000V	UNLESS OTHERWISE SPECIFIED TOLERANCES X ±.060 .XX ±.030 .XXX ±.015 FRACTIONAL ±1/4 ANGULAR ±1/2° SURFACE FINISH 63	ICE QUBE, INC. <small>THIS IS A PROPRIETARY DOCUMENT. DO NOT REPRODUCE OR DISCLOSE WITHOUT THE EXPRESS WRITTEN PERMISSION OF ICE QUBE, INC.</small> SPEC DRAWING
MATERIAL N/A		DO NOT SCALE DRAWING DIMENSIONS ARE INCHES	
EST WT: lbs	DRAWN BY NAT	DATE 2/3/2020	DRAWING NUMBER IQ352302
		SCALE 1:12	REV B