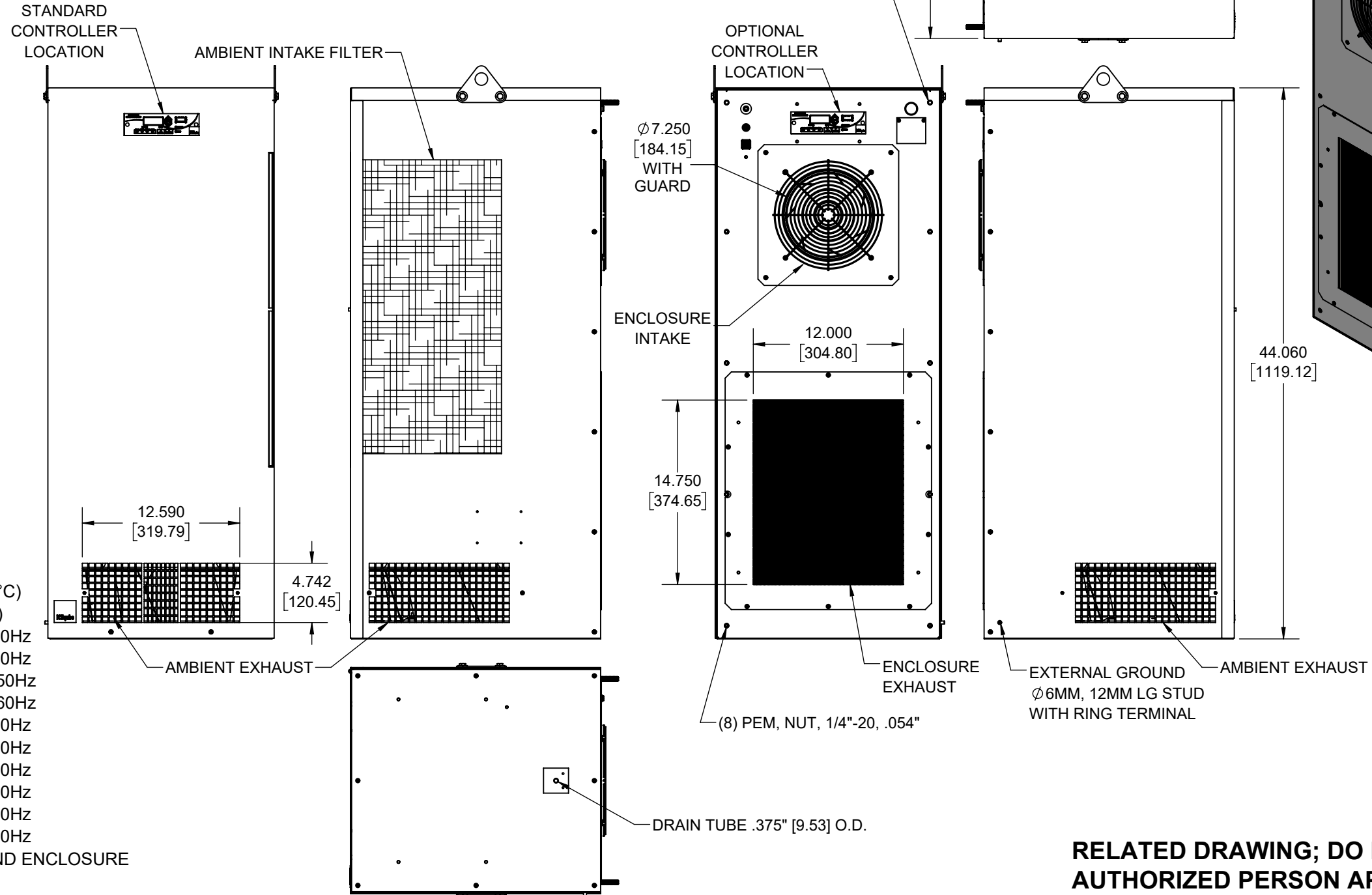
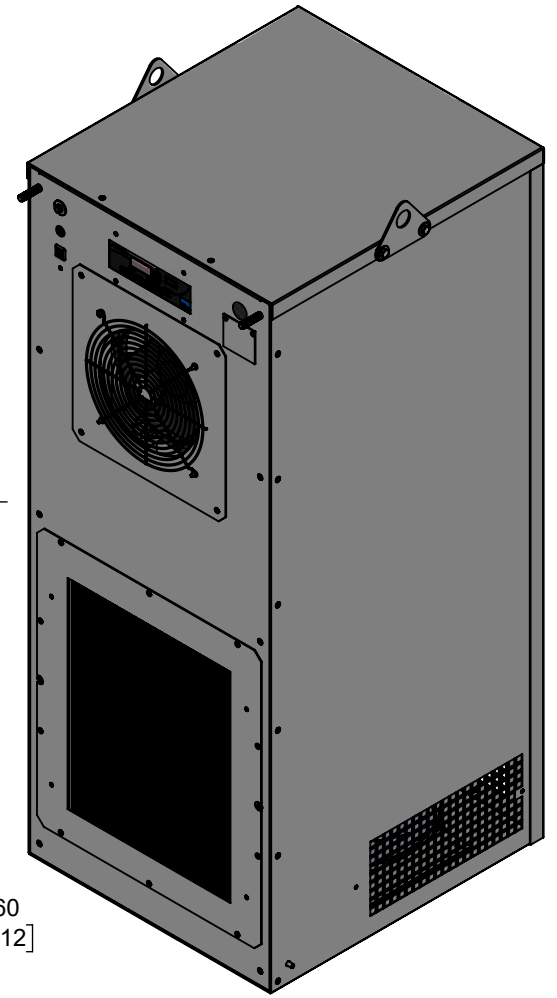
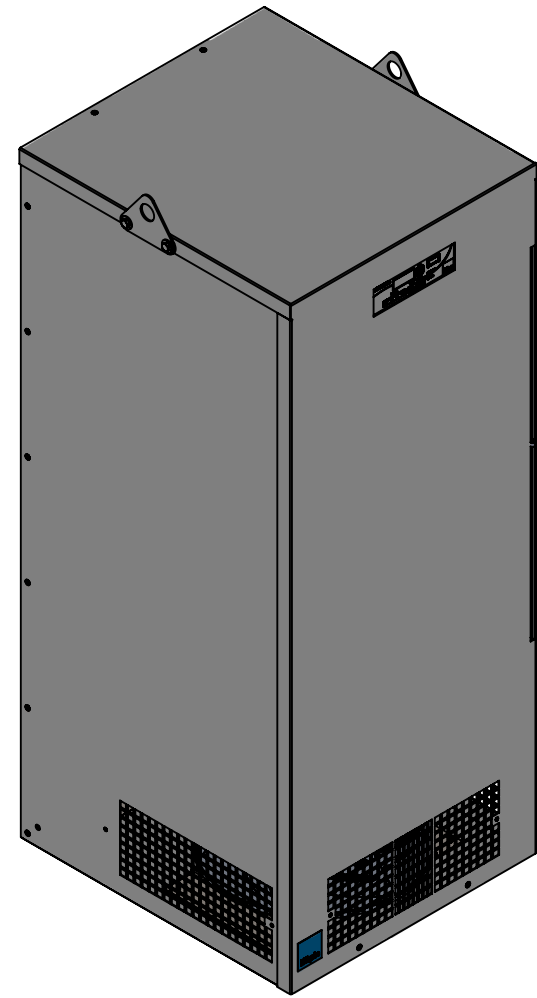


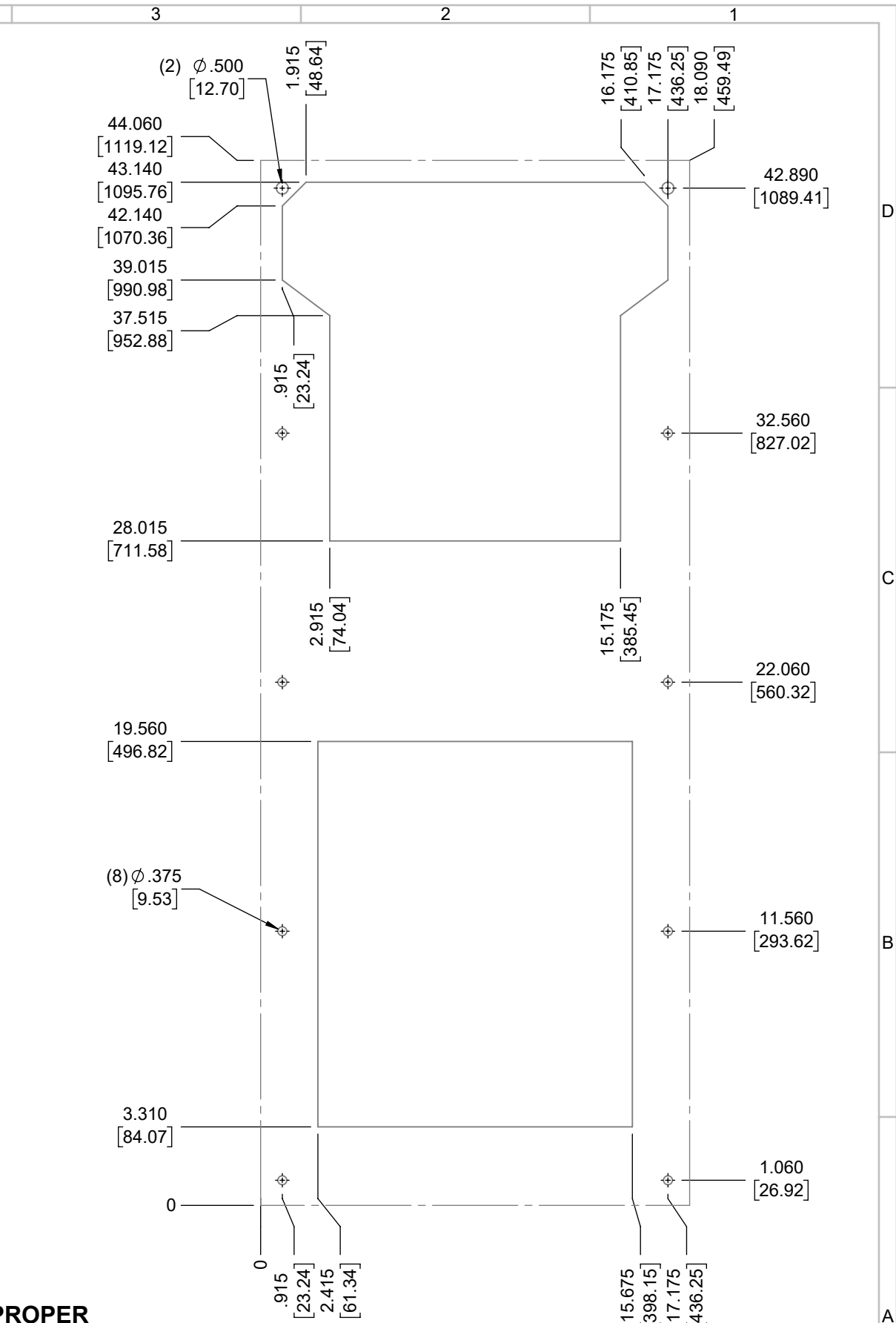
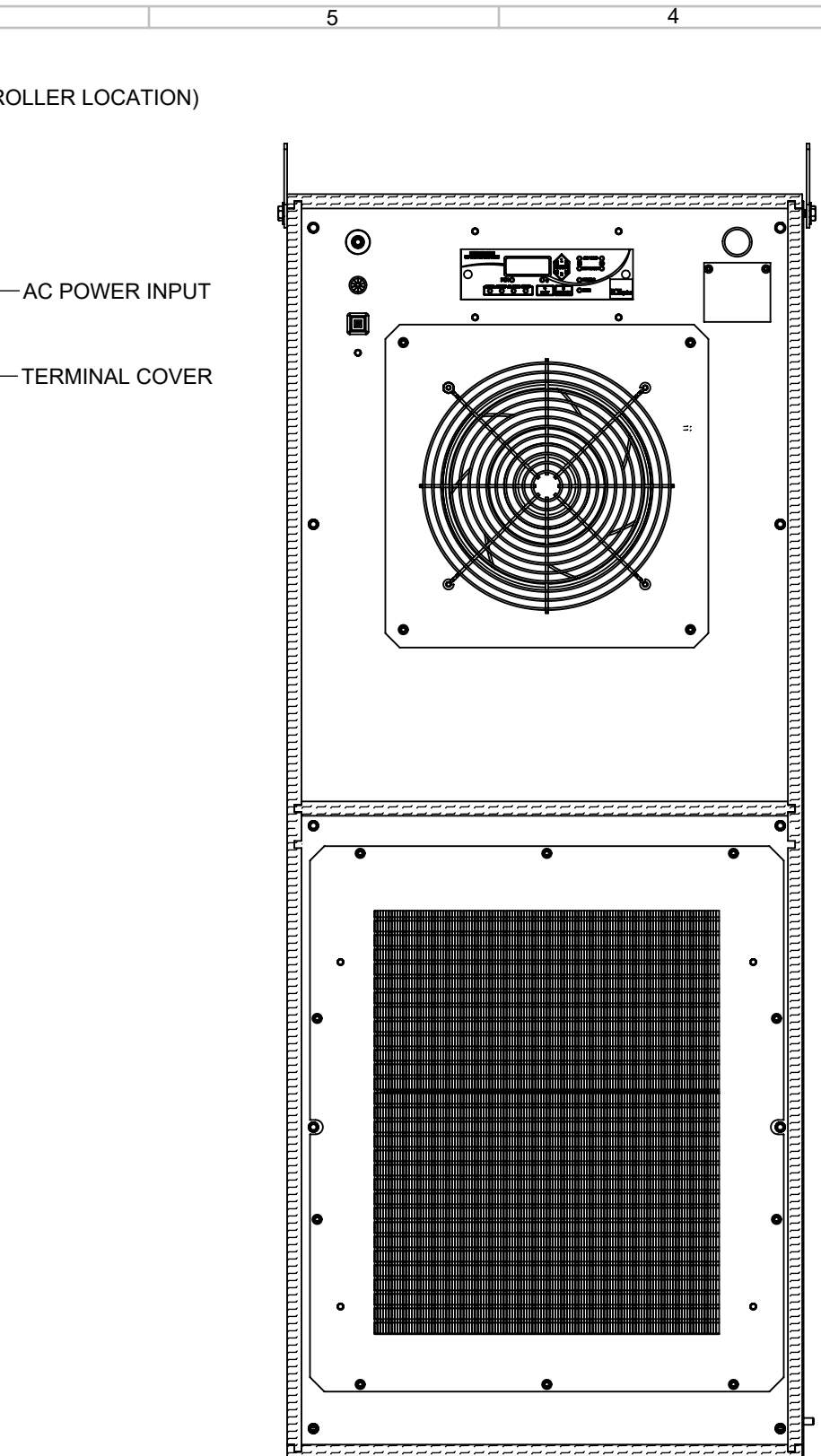
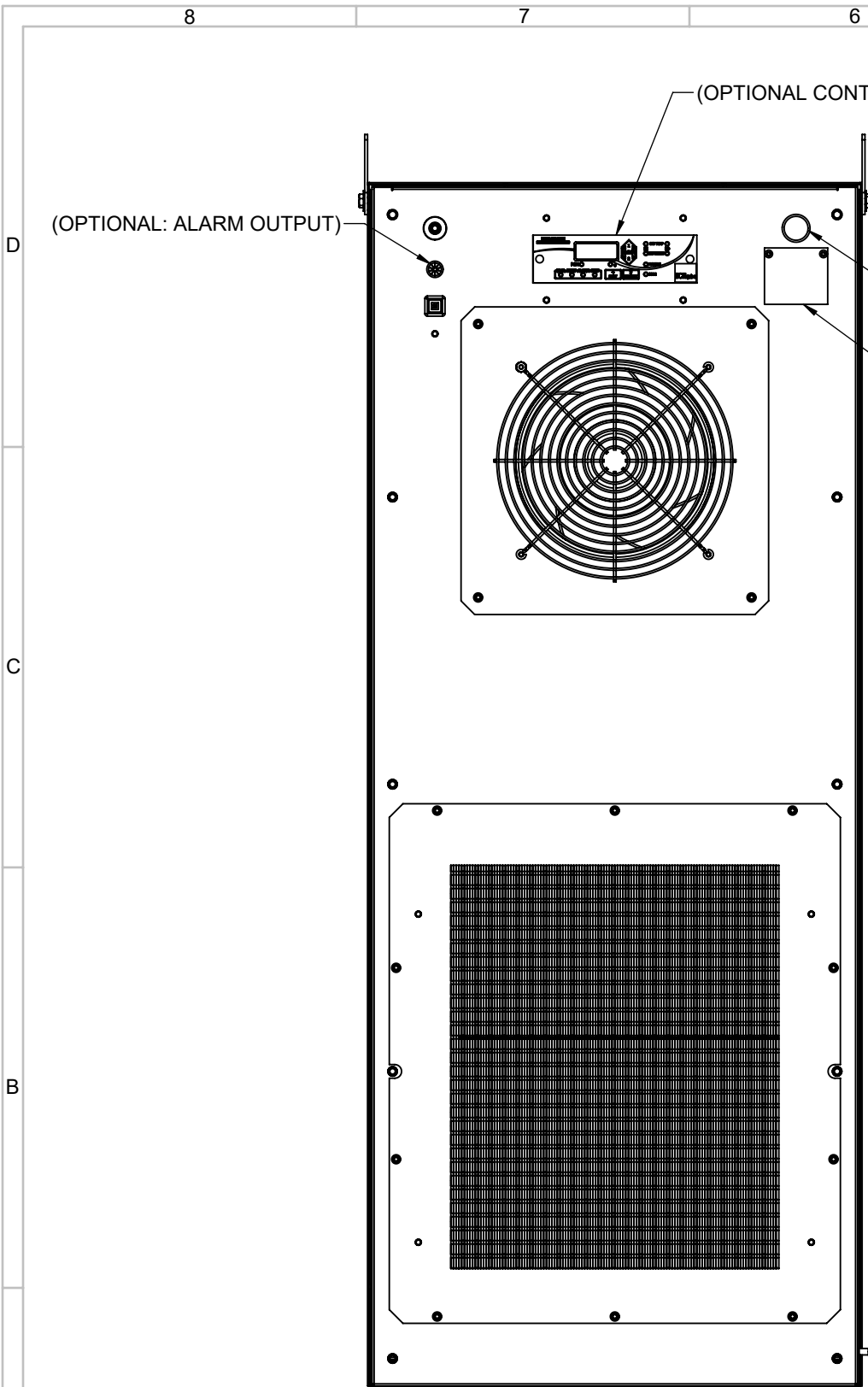
IQ14000EVZ2 CLASS I ZONE 2 AEx / Ex ZONE 2 ATEX / IECEx CERTIFIED



IQ14000EVZ2
 AEx ec IIC T₁ Gc
 Ex ec IIC T₁ Gc
 II 3G Ex ec IIC T₁ Gc
 NOMINAL COOLING CAPACITY:
 14876 BTUH (4360W) @ 140-140°F (60°C-60°C)
 12928 BTUH (3789W) @ 95-95°F (35°C-35°C)
 MAXIMUM AMPS: 12.50 (2750W) @ 220V/50Hz
 MAXIMUM AMPS: 12.10 (2783W) @ 230V/60Hz
 MAXIMUM AMPS: 11.44 (2745W) @ 240V/50Hz
 MAXIMUM AMPS: 11.68 (2804W) @ 240V/60Hz
 MAXIMUM AMPS: 7.09 (2836W) @ 400V/50Hz
 MAXIMUM AMPS: 7.11 (2844W) @ 400V/60Hz
 MAXIMUM AMPS: 7.59 (3341W) @ 440V/50Hz
 MAXIMUM AMPS: 7.01 (3086W) @ 440V/60Hz
 MAXIMUM AMPS: 6.76 (3245W) @ 480V/50Hz
 MAXIMUM AMPS: 6.66 (3197W) @ 480V/60Hz
 MAINTAINS IP66 BETWEEN EQUIPMENT AND ENCLOSURE
 OPERATING TEMPERATURE: -40°C - +60°C
 T CODE: W/O CRANKCASE HEATER- T5
 T CODE: W/ CRANKCASE HEATER- T4
 DIMENSIONS: 44.060" (1119MM) H x 18.060" (459MM) W x 20.000" (508MM) D
 WEIGHT: 222 LBS (101KG) @ 220/230/240V
 WEIGHT: 274 LBS (125KG) @ 400/440/480V
 REFRIGERANT CHARGE-R407C: 44OZ (1247G)

RELATED DRAWING; DO NOT CHANGE WITHOUT AUTHORIZED PERSON APPROVAL.

| | | | | | | | | | |
|-------------|--|------|-----|----------|-------------|-------|--|---|--|
| ITEM NUMBER | N/A | | | USED ON | IQ14000EVZ2 | | | UNLESS OTHERWISE SPECIFIED TOLERANCES | <p style="font-size: 8px;">THIS IS A PROPRIETARY DOCUMENT. DO NOT REPRODUCE OR DISCLOSE WITHOUT THE EXPRESS WRITTEN PERMISSION OF ICE QUBE, INC.</p> |
| MATERIAL | N/A | | | EST WT: | lbs | | | .X ±.060 .XX ±.030 .XXX ±.015 FRACTIONAL ±1/16 ANGULAR ±1/2° SURFACE FINISH 63 | |
| DESCRIPTION | IQ14000EVZ2 ZONE 2 ATEX IECEx SPEC DRAWING | | | DRAWN BY | DATE | SCALE | IQ351564 DRAWING NUMBER REV C | | |
| REV | CHG | DATE | APP | DATE | CN # | 1:10 | | | |



IMPORTANT
GASKET MUST BE APPLIED AS SHOWN FOR PROPER OPERATION AND TO MAINTAIN ENCLOSURE INTEGRITY

EVAP. OUTLET ≈ 800 CFM
 COND. OUTLET ≈ 1100 CFM
 SOUND LEVEL @5FT FROM UNIT @ A HT. OF 3FT = 65 dBA
 SOUND LEVEL @2FT FROM UNIT @ A HT. OF 5FT = 70 dBA
 CONDENSER INLET MIN. CLEARANCE 3.76"

| | | | |
|--------------------|------------------------|---|--|
| ITEM NUMBER N/A | USED ON IQ14000EVZ2 | UNLESS OTHERWISE SPECIFIED TOLERANCES X ±.060 .XX ±.030 .XXX ±.015 | <small>THIS IS A PROPRIETARY DOCUMENT. DO NOT REPRODUCE OR DISCLOSE WITHOUT THE EXPRESS WRITTEN PERMISSION OF ICE QUBE, INC.</small> |
| MATERIAL N/A | | FRACTIONAL ±1/4 ANGULAR ±1/2° | |
| EST. WT. lbs | | SURFACE FINISH 63 | DESCRIPTION IQ14000EVZ2 ZONE 2 ATEX ICEQx SPEC DRAWING |
| DRAWN BY ART | DATE 12/4/2017 | SCALE 1:6 | DRAWING NUMBER IQ351564 |
| | | DO NOT SCALE DRAWING DIMENSIONS ARE INCHES | REV C |