

IQ1200VS  
 COOLING CAPACITY: 1200 BTUH (352W) @131°F (55°C)  
 MAXIMUM AMPS: 3.9 (468W) @120V/60HZ  
 MAXIMUM AMPS: 1.8 (414W) @230V/60HZ  
 MAXIMUM OPERATING TEMP: 131°F (55°C)  
 MINIMUM OPERATING TEMP: -40°F (-40°C)  
 DIMENSIONS: 22.25" (565MM) H X 11.51" (292MM) W X 6.26" (159MM) D  
 WEIGHT: 47 LBS (21.4KG)

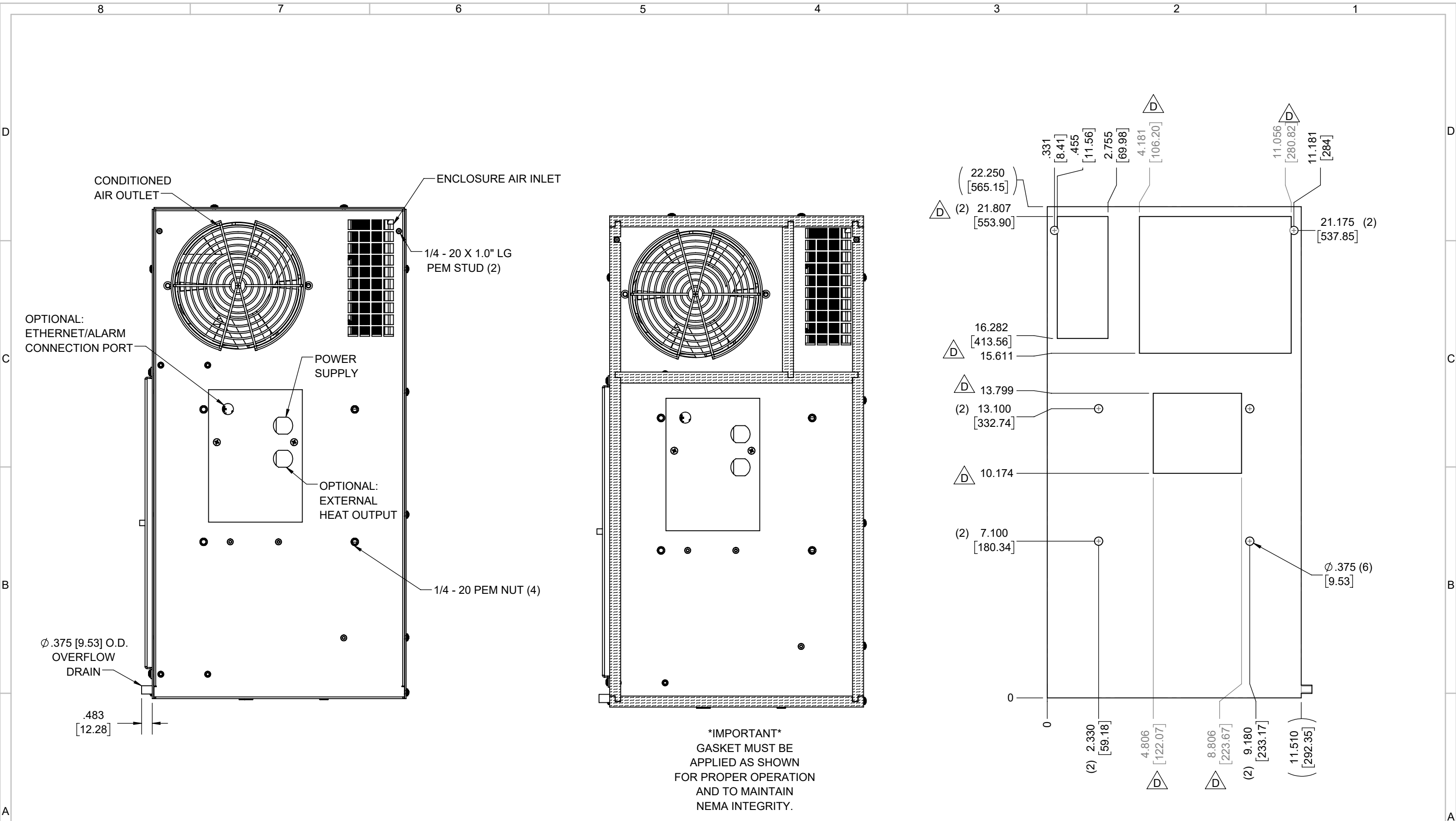
REV	CHG	DATE	APP	DATE	CN #
D		3/30/2020	NAT	3/30/2020	1429
C		3/26/2018	RCC		1351
B		12/29/2017	RCC		
A		4/6/2017	RCC		

ITEM NUMBER: N/A  
 MATERIAL: N/A  
 EST WT: lbs  
 DRAWN BY: RCC  
 DATE: 4/6/2017

USED ON: IQ1200VS  
 SCALE: 1:6

UNLESS OTHERWISE SPECIFIED TOLERANCES:  
 .X ±.060  
 .XX ±.030  
 .XXX ±.015  
 FRACTIONAL ±1/16  
 ANGULAR ±1/2°  
 SURFACE FINISH: 63  
 DO NOT SCALE DRAWING DIMENSIONS ARE INCHES

**ICE QUBE, INC.**  
THIS IS A PROPRIETARY DOCUMENT. DO NOT REPRODUCE OR DISCLOSE WITHOUT THE EXPRESS WRITTEN PERMISSION OF ICE QUBE, INC.  
 DESCRIPTION: **IQ1200VS SPEC DRAWING**  
 DRAWING NUMBER: **IQ280210**  
 REV: **D**



**\*IMPORTANT\***  
 GASKET MUST BE  
 APPLIED AS SHOWN  
 FOR PROPER OPERATION  
 AND TO MAINTAIN  
 NEMA INTEGRITY.

EVAP. OUTLET ≈ 190 CFM  
 COND. OUTLET ≈ 158 CFM  
 SOUND LEVEL @5FT FROM UNIT @ A HT. OF 3FT = 60 dBA  
 SOUND LEVEL @2FT FROM UNIT @ A HT. OF 5FT = 61 dBA  
 CONDENSER INLET MIN. CLEARANCE 2.08"

ITEM NUMBER N/A	USED ON IQ1200VS	UNLESS OTHERWISE SPECIFIED TOLERANCES X ±.060 .XX ±.030 .XXX ±.015	<p>ICE QUBE, INC.  <small>THIS IS A PROPRIETARY DOCUMENT. DO NOT REPRODUCE OR DISCLOSE WITHOUT THE EXPRESS WRITTEN PERMISSION OF ICE QUBE, INC.</small></p>
MATERIAL N/A		FRACTIONAL ±1/4 ANGULAR ±1/2°	
EST WT: lbs	DATE 4/6/2017	SCALE 1:4	DESCRIPTION IQ1200VS SPEC DRAWING
DRAWN BY RCC			DRAWING NUMBER IQ280210
			REV D