

IQ12000EX

CE 0539 II 2 G Ex db eb ib IIB+H2 T4 Gb

NOMINAL COOLING CAPACITY:

13008 BTUH (3815W) @ 140-140°F (60°C-60°C)

MAXIMUM AMPS: 11.20 (2464W) @ 220V/50Hz

MAXIMUM AMPS: 11.20 (2464W) @ 220V/60Hz

MAXIMUM AMPS: 12.07 (2776W) @ 230V/50Hz

MAXIMUM AMPS: 12.07 (2776W) @ 230V/60Hz

MAXIMUM AMPS: 11.09 (2662W) @ 240V/50Hz

MAXIMUM AMPS: 11.89 (2854W) @ 240V/60Hz

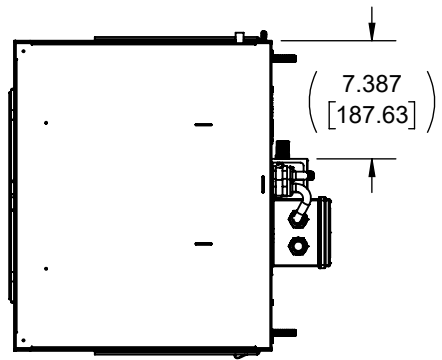
MAXIMUM OPERATING TEMPERATURE: 140°F (60°C)

MINIMUM OPERATING TEMPERATURE: -40°F (-40°C)

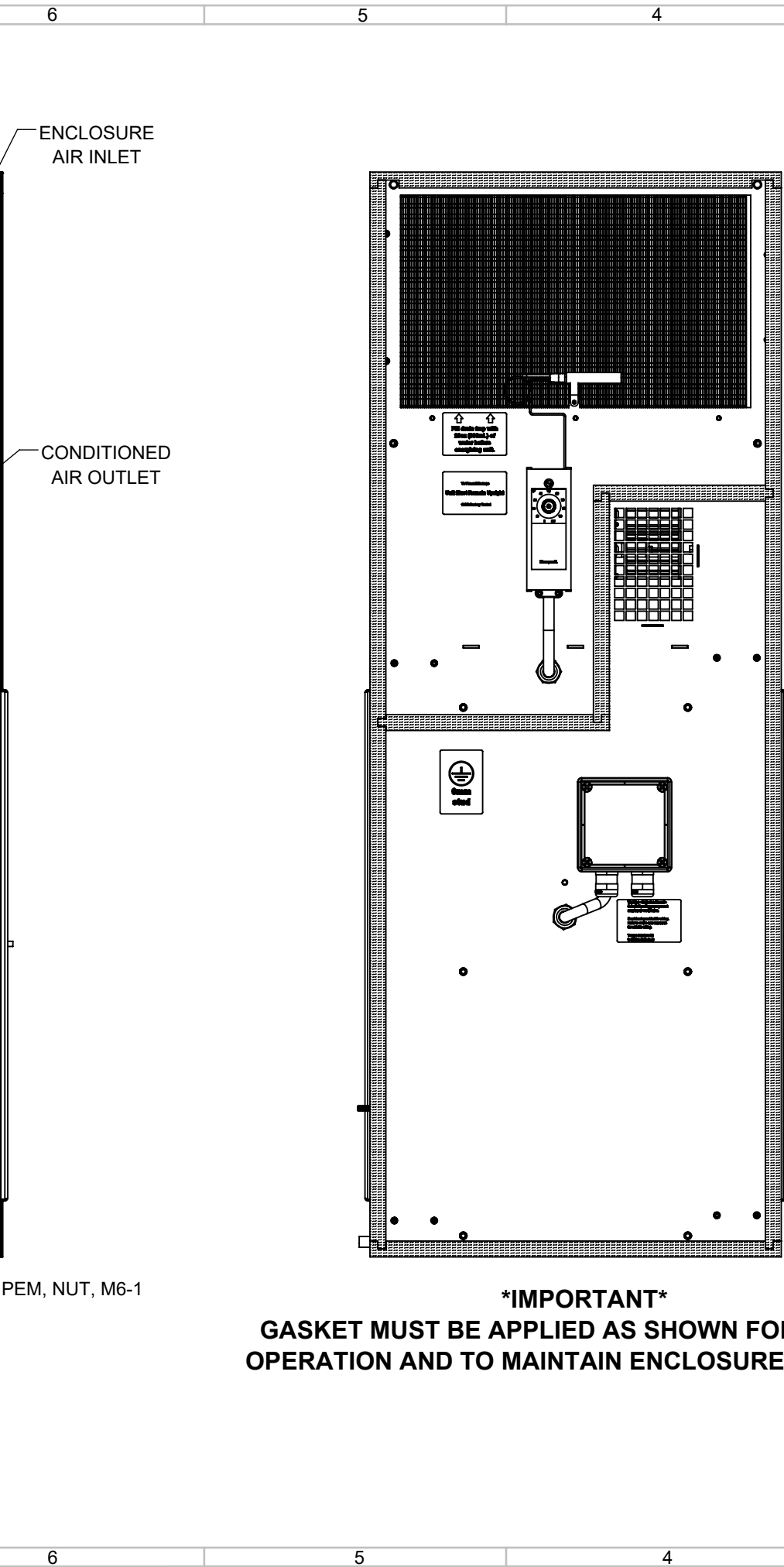
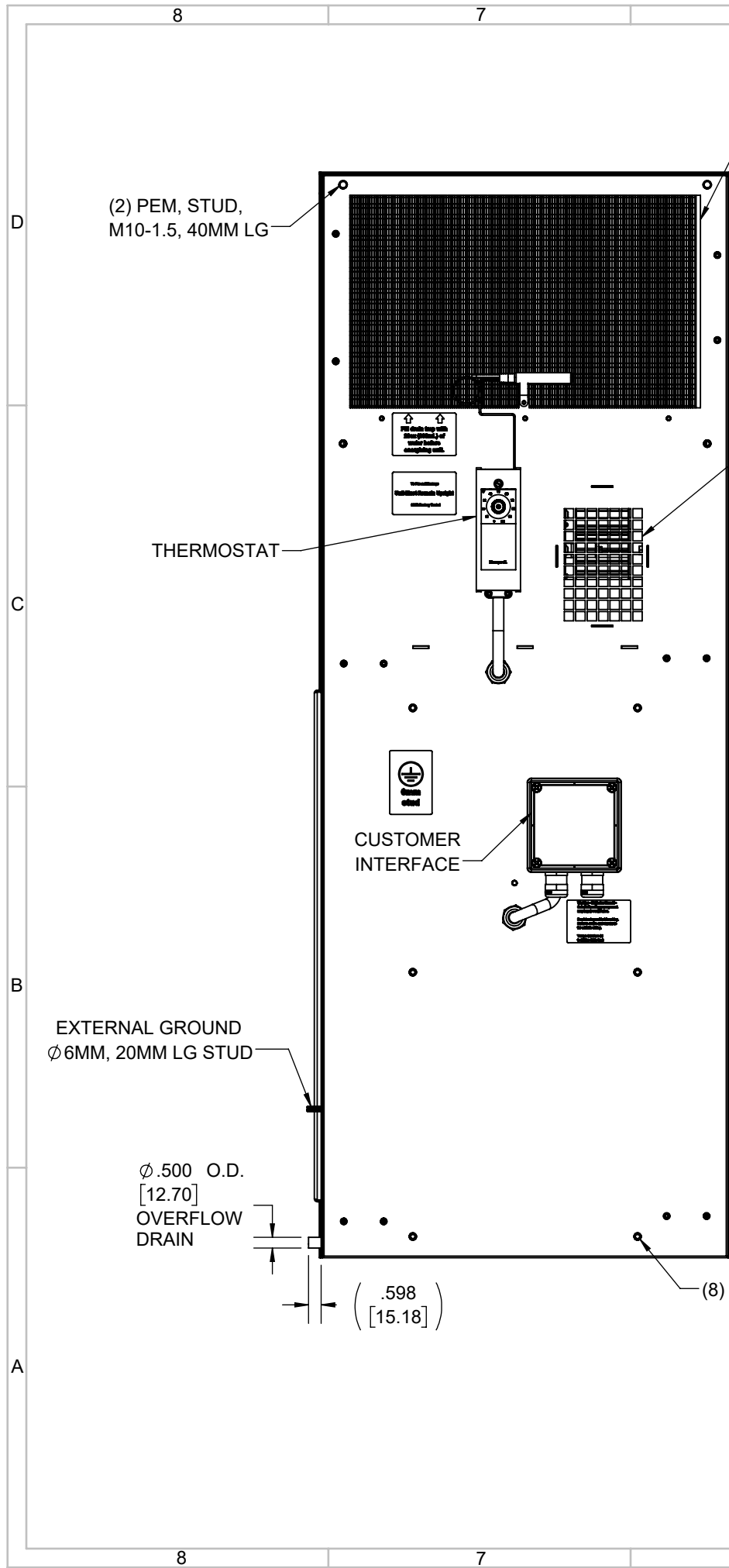
DIMENSIONS: 51.090" (1298MM) H x 19.376" (492MM) W x 16.090" (409MM) D

WEIGHT: 250 LBS (114KG)

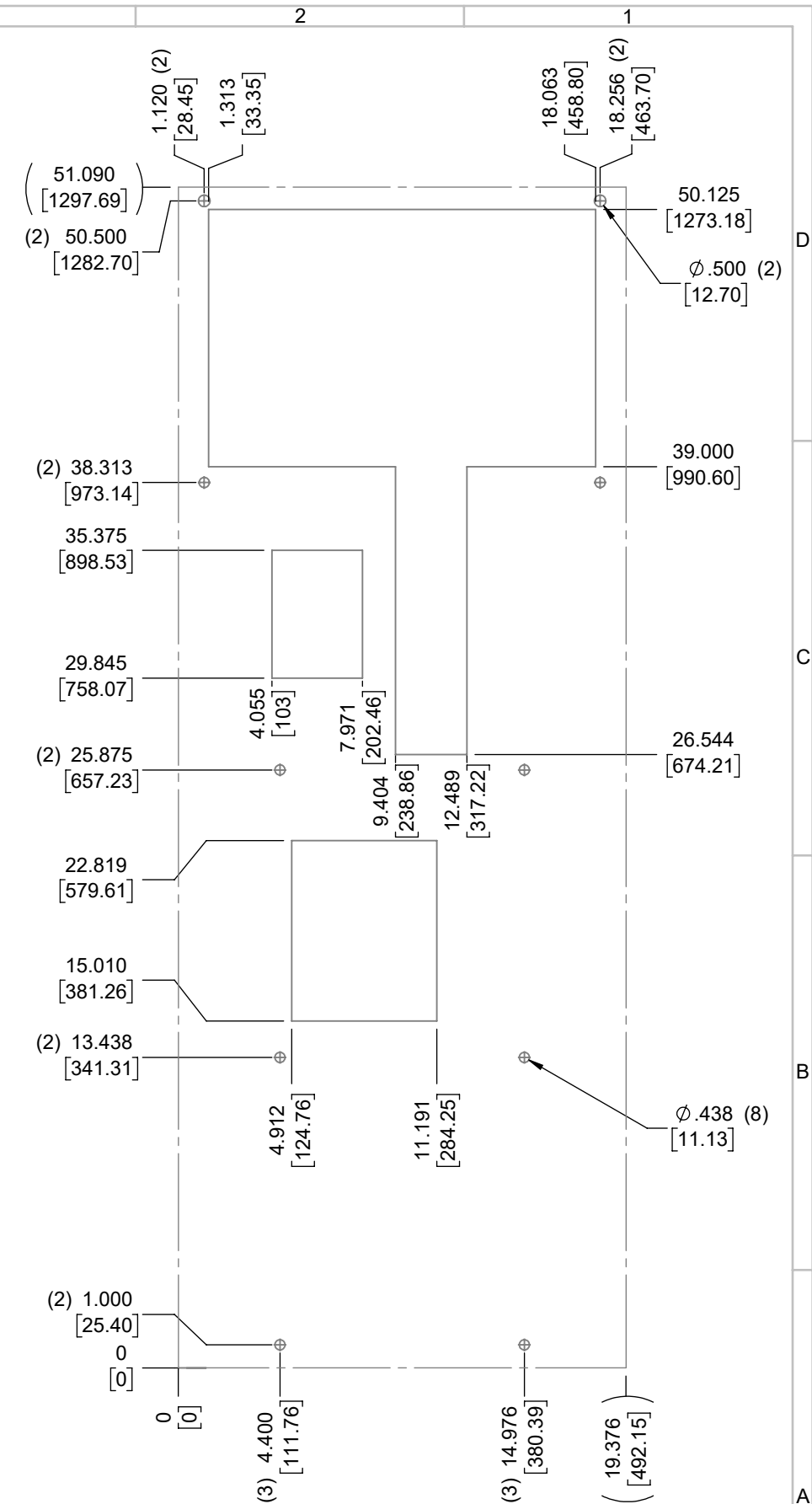
REFRIGERANT CHARGE: R407C 4LB 10OZ (2098G)



ITEM NUMBER N/A				USED ON IQ12000EX				UNLESS OTHERWISE SPECIFIED TOLERANCES .X ±.060 .XX ±.030 .XXX ±.015 FRACTIONAL ±1/16 ANGULAR ±1/2° SURFACE FINISH 63				ICE QUBE, INC. <small>THIS IS A PROPRIETARY DOCUMENT. DO NOT REPRODUCE OR DISCLOSE WITHOUT THE EXPRESS WRITTEN PERMISSION OF ICE QUBE, INC.</small> DESCRIPTION IQ12000EX SPEC DRAWING											
MATERIAL N/A				EST WT: lbs				DRAWN BY JGG				DATE 8/2/2018				SCALE 1:12				DRAWING NUMBER IQ351993			
PRODUCTION RELEASE				RCC 8/2/2018				CHG DATE APP DATE CN#				REV A											



IMPORTANT
GASKET MUST BE APPLIED AS SHOWN FOR PROPER OPERATION AND TO MAINTAIN ENCLOSURE INTEGRITY



ITEM NUMBER N/A	USED ON IQ12000EX	UNLESS OTHERWISE SPECIFIED TOLERANCES X ±.060 .XX ±.030 .XXX ±.015 FRACTIONAL ±1/4 ANGULAR ±1/2°	<p>ICE QUBE, INC. <small>THIS IS A PROPRIETARY DOCUMENT. DO NOT REPRODUCE OR DISCLOSE WITHOUT THE EXPRESS WRITTEN PERMISSION OF ICE QUBE, INC.</small></p>
MATERIAL N/A		<p>EST WT: lbs</p> <p>DRAWN BY: JGG DATE: 8/2/2018 SCALE: 1:7</p> <p>DO NOT SCALE DRAWING DIMENSIONS ARE INCHES</p>	
DESCRIPTION IQ12000EX SPEC DRAWING			DRAWING NUMBER IQ351993
REV A			REV A