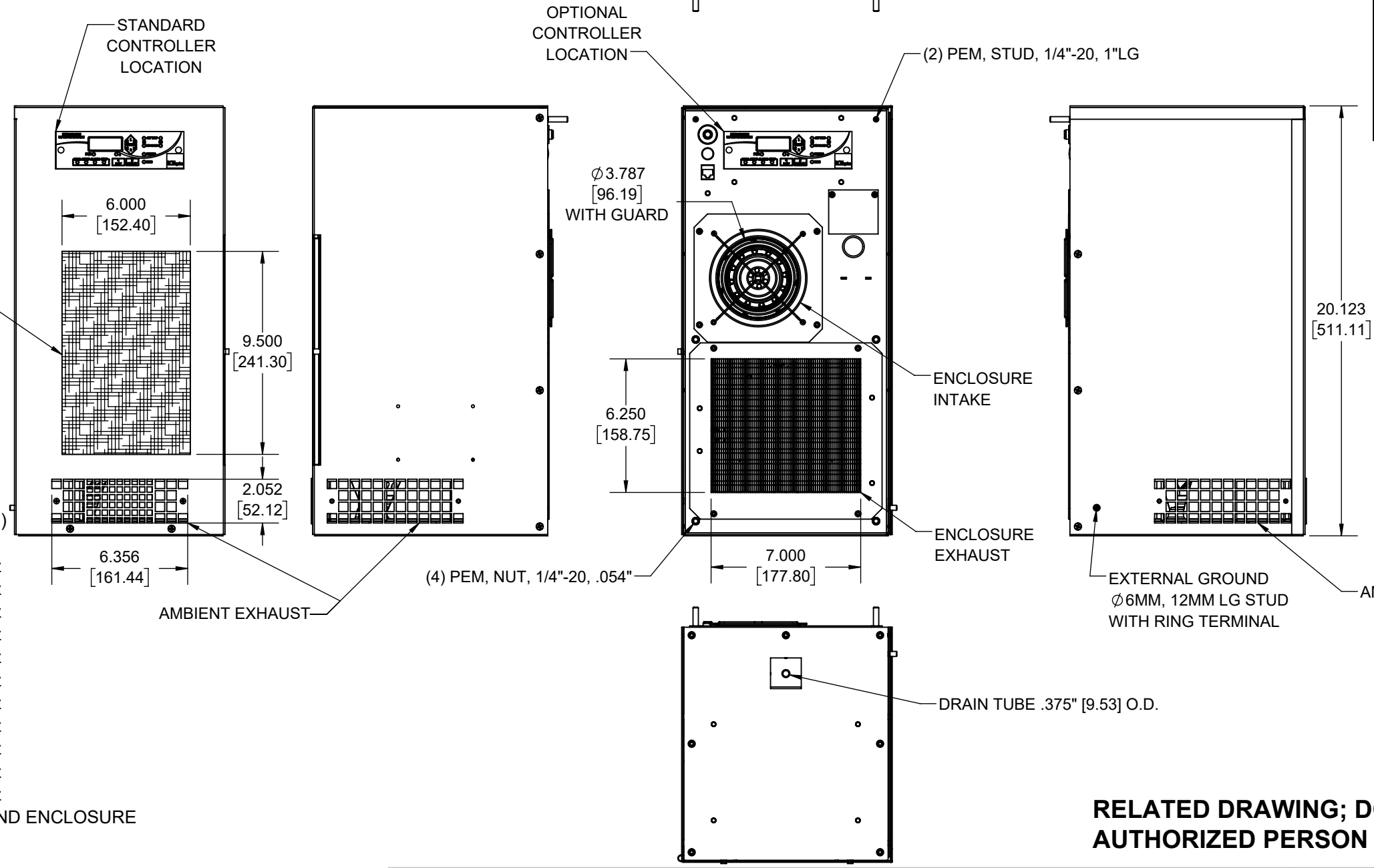
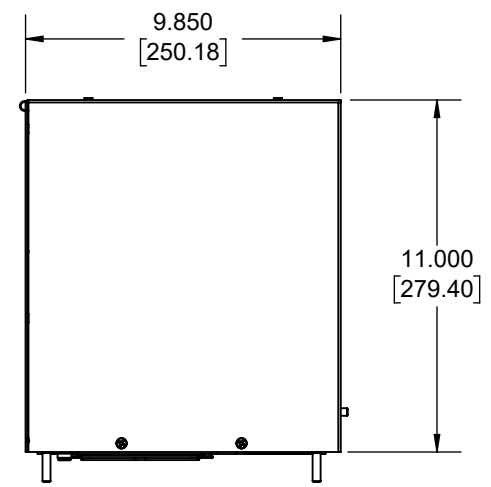
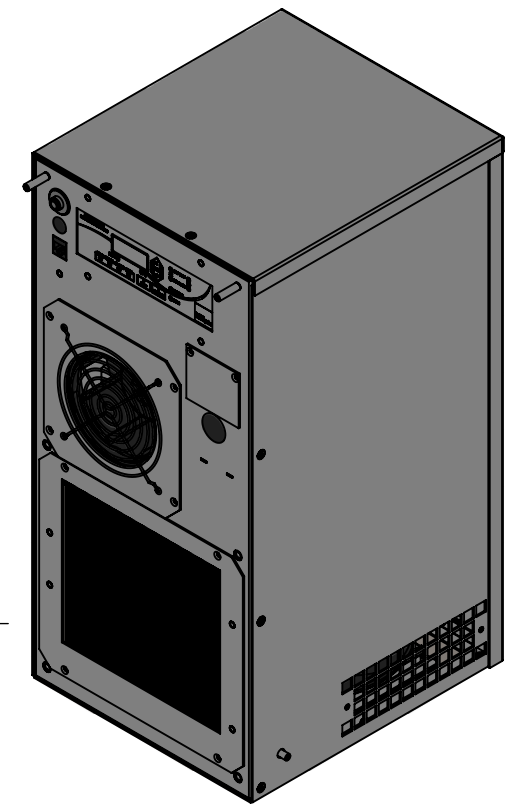
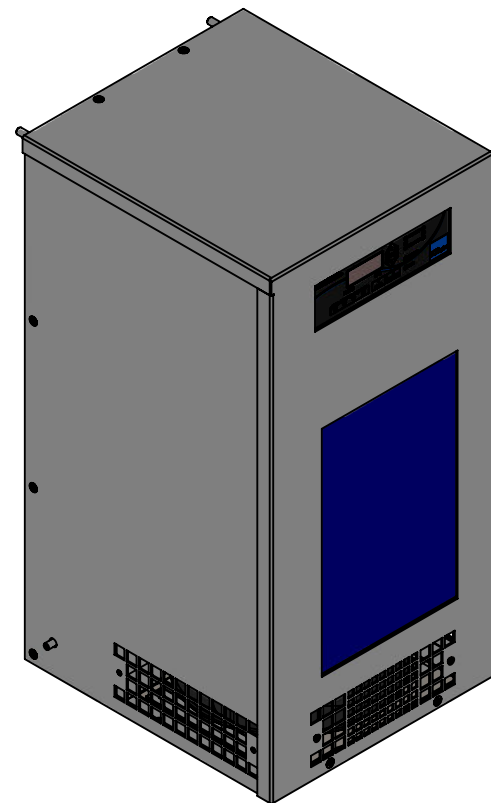


IQ1000EVZ2 CLASS I ZONE 2 AEx / Ex ZONE 2 ATEX / IECEx CERTIFIED



IQ1000EVZ2
 AEx ec IIC T₁ Gc
 Ex ec IIC T₁ Gc
 II 3G Ex ec IIC T₁ Gc
 NOMINAL COOLING CAPACITY:
 1322 BTUH (387W) @ 140-140°F (60°C-60°C)
 1600 BTUH (469W) @ 95-95°F (35°C-35°C)
 MAXIMUM AMPS: 4.36 (523W) @ 120V/60Hz
 MAXIMUM AMPS: 2.69 (592W) @ 220V/50Hz
 MAXIMUM AMPS: 2.60 (598W) @ 230V/60Hz
 MAXIMUM AMPS: 2.09 (501W) @ 240V/50Hz
 MAXIMUM AMPS: 2.02 (486W) @ 240V/60Hz
 MAXIMUM AMPS: 1.32 (528W) @ 400V/50Hz
 MAXIMUM AMPS: 0.90 (360W) @ 400V/60Hz
 MAXIMUM AMPS: 0.91 (399W) @ 440V/50Hz
 MAXIMUM AMPS: 0.85 (375W) @ 440V/60Hz
 MAXIMUM AMPS: 0.58 (278W) @ 480V/50Hz
 MAXIMUM AMPS: 0.60 (288W) @ 480V/60Hz
 MAINTAINS IP66 BETWEEN EQUIPMENT AND ENCLOSURE
 OPERATING TEMPERATURE: -40°- +60°C
 T CODE: W/O CRANKCASE HEATER- T6
 T CODE: W/ CRANKCASE HEATER- T5
 DIMENSIONS: 20.123" (511MM) H x 9.850" (250MM) W x 11.000" (279MM) D
 WEIGHT: 57.5 LBS (26.1KG) @ 120/220/230/240V
 WEIGHT: 72.5 LBS (32.9KG) @ 400/440/480V
 REFRIGERANT CHARGE: R134-A 7OZ (198G)

RELATED DRAWING; DO NOT CHANGE WITHOUT AUTHORIZED PERSON APPROVAL.

D	ADDED AEx AND Ex CERTIFICATION INFORMATION	NAT	4/20/2021			21-0186
C	UPDATED CUTOUT DIMENSIONS	NAT	4/20/2020			
B	ADDED CFM, dBA, 240V AND 440V 50/60HZ, AND CLEARANCE INFO	RCC	4/26/2018	JGG	4/26/2018	1347
A	PRODUCTION RELEASE	ART	11/6/2017	JGG	11/6/2017	1331
REV	REVISION	CHG	DATE	APP	DATE	CN #

ITEM NUMBER	N/A	USED ON	IQ1000EVZ2
MATERIAL	N/A		
EST WT:	lbs		
DRAWN BY	ART	DATE	11/6/2017
		SCALE	1:6

UNLESS OTHERWISE SPECIFIED TOLERANCES	
X	±.060
.XX	±.030
.XXX	±.015
FRACTIONAL	±1/16
ANGULAR	±1/2°
SURFACE FINISH	63
DO NOT SCALE DRAWING DIMENSIONS ARE INCHES	

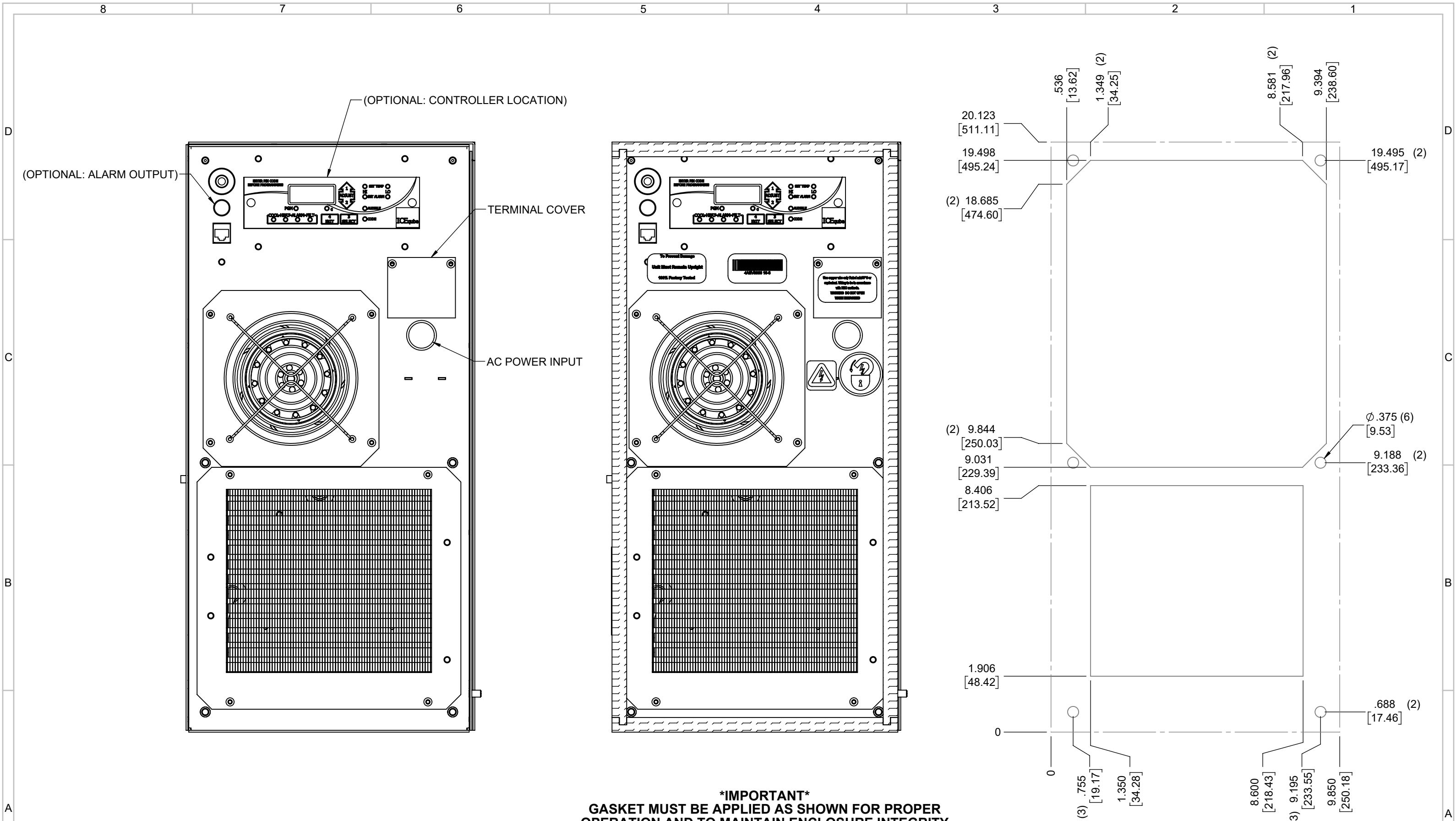
ICE QUBE, INC.

THIS IS A PROPRIETARY DOCUMENT. DO NOT REPRODUCE OR DISCLOSE WITHOUT THE EXPRESS WRITTEN PERMISSION OF ICE QUBE, INC.

DESCRIPTION
IQ1000EVZ2 ZONE 2 ATEX IECEx SPEC DRAWING

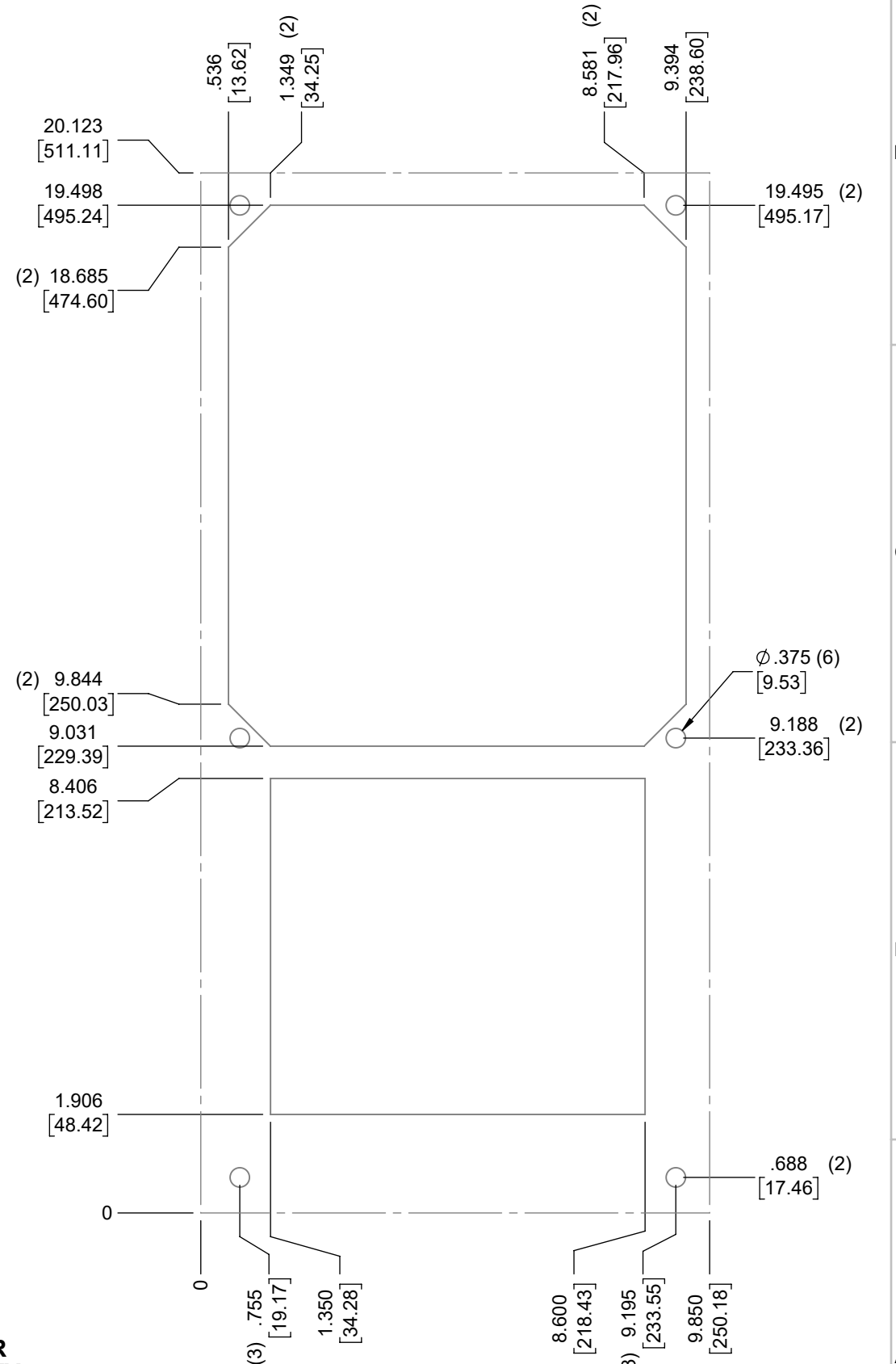
DRAWING NUMBER
IQ351468

REV
D



EVAP. OUTLET ≈ 175 CFM
 COND. OUTLET ≈ 350 CFM
 SOUND LEVEL @5FT FROM UNIT @ A HT. OF 3FT = 64 dBA
 SOUND LEVEL @2FT FROM UNIT @ A HT. OF 5FT = 68 dBA
 CONDENSER INLET MIN. CLEARANCE 1.84"

IMPORTANT
GASKET MUST BE APPLIED AS SHOWN FOR PROPER OPERATION AND TO MAINTAIN ENCLOSURE INTEGRITY



ITEM NUMBER N/A	USED ON IQ1000EVZ2	UNLESS OTHERWISE SPECIFIED TOLERANCES X ±.060 .XX ±.030 .XXX ±.015	THIS IS A PROPRIETARY DOCUMENT. DO NOT REPRODUCE OR DISCLOSE WITHOUT THE EXPRESS WRITTEN PERMISSION OF ICE QUBE, INC.
MATERIAL N/A		FRACTIONAL ±1/4 ANGULAR ±1/2°	
EST WT: lbs	DATE 11/6/2017	SCALE 1:3	DESCRIPTION IQ1000EVZ2 ZONE 2 ATEX IECEx SPEC DRAWING DRAWING NUMBER IQ351468
DRAWN BY ART			SURFACE FINISH 63 DO NOT SCALE DRAWING DIMENSIONS ARE INCHES
			REV D