

IQ10000EV

STANDARD
CONTROLLER
LOCATION

AMBIENT INTAKE FILTER

(2) PEM, STUD, 1/4"-20, 1"LG

OPTIONAL
CONTROLLER
LOCATION

Ø6.625
[168.28]
WITH GUARD

ENCLOSURE
INTAKE

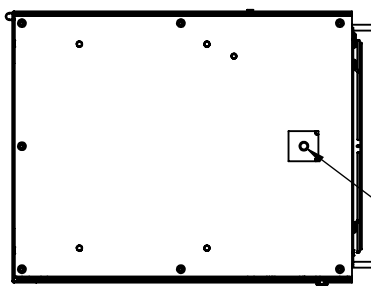
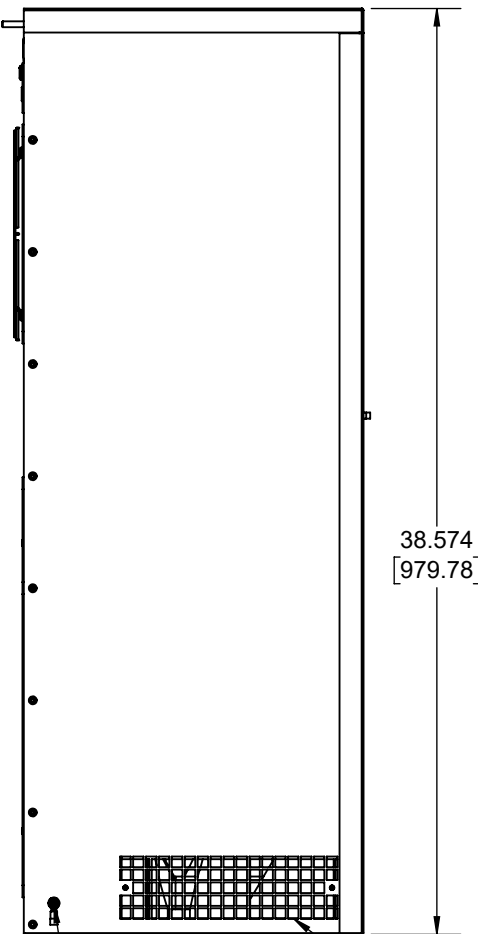
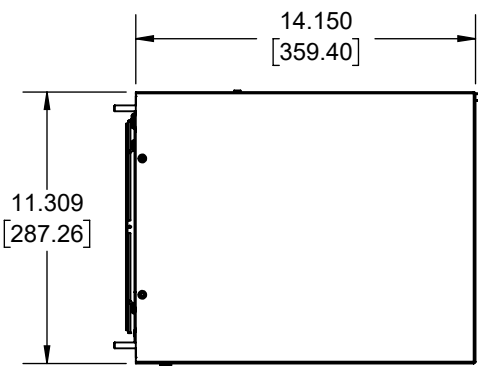
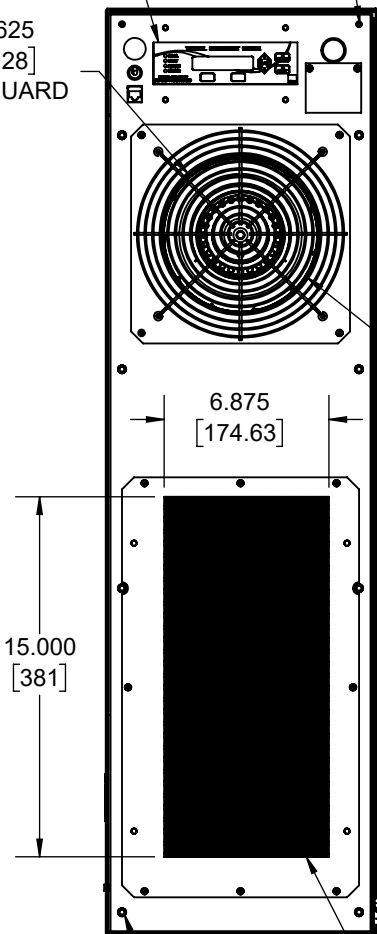
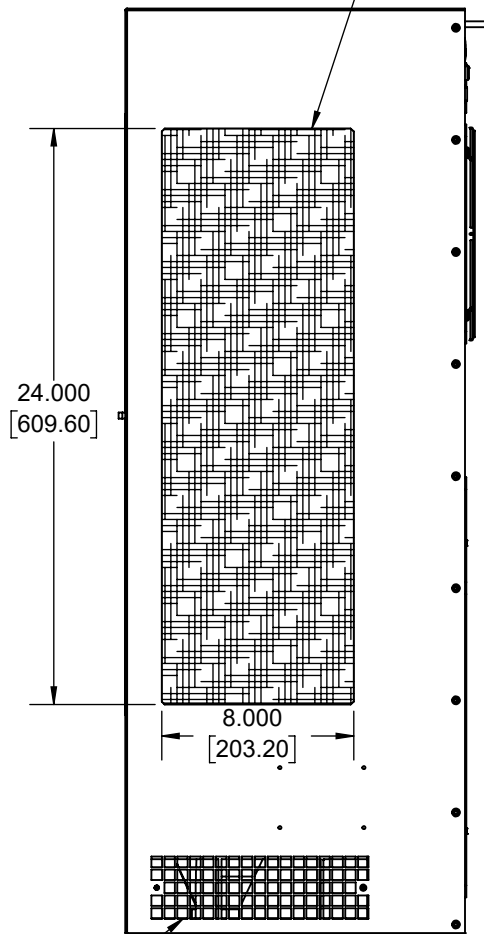
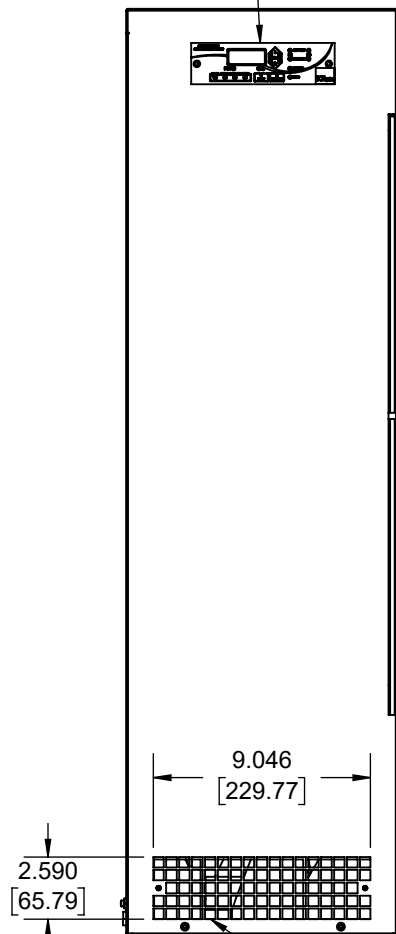
ENCLOSURE
EXHAUST

EXTERNAL GROUND
Ø6MM, 12MM LG STUD
WITH RING TERMINAL

AMBIENT EXHAUST

(8) PEM, NUT, #1/4-20

DRAIN TUBE .375" [9.53] O.D.



IQ10000EV
 NOMINAL COOLING CAPACITY:
 10358 BTUH @ (3036W) 140-140°F (60°C-60°C)
 10291 BTUH @ (3016W) 95-95°F (35°C-35°C)
 MAXIMUM AMPS: 19.80 (2376W) @ 120V/60Hz
 MAXIMUM AMPS: 10.00 (2200W) @ 220V/50Hz
 MAXIMUM AMPS: 10.10 (2323W) @ 230V/60Hz
 MAXIMUM AMPS: 5.06 (2429W) @ 480V/50Hz
 MAXIMUM AMPS: 5.05 (2424W) @ 480V/60Hz
 MAXIMUM AMPS: 5.10 (2040W) @ 400V/50Hz
 MAXIMUM AMPS: 5.09 (2036W) @ 400V/60Hz
 MAXIMUM OPERATING TEMPERATURE: 140°F (60°C)
 DIMENSIONS: 38.584" (980MM) H x 11.309" (287MM) W x 14.150" (359MM) D
 WEIGHT: 126 LBS (57.2KG) @ 120/220/230V
 WEIGHT: 150 LBS (68.0KG) @ 400/480V
 REFRIGERANT CHARGE-R407C:
 120V- 2LB 7OZ (1106G)
 220/230V-400/480V- 2LB 4OZ (1021G)

REV	DESCRIPTION	CHG	DATE	APP	DATE	CN #
E	ADDED CFM, dBA, AND CLEARANCE INFO	RCC	3/22/2018	ART	5/11/2018	1347
D	UPDATED UNIT DATA	JGG	12/18/2017	ART	12/18/2017	1336
	REVISION					

ITEM NUMBER N/A	USED ON IQ10000EV
MATERIAL N/A	
EST WT: lbs	
DRAWN BY ART	DATE 10/12/2016
	SCALE 1:8

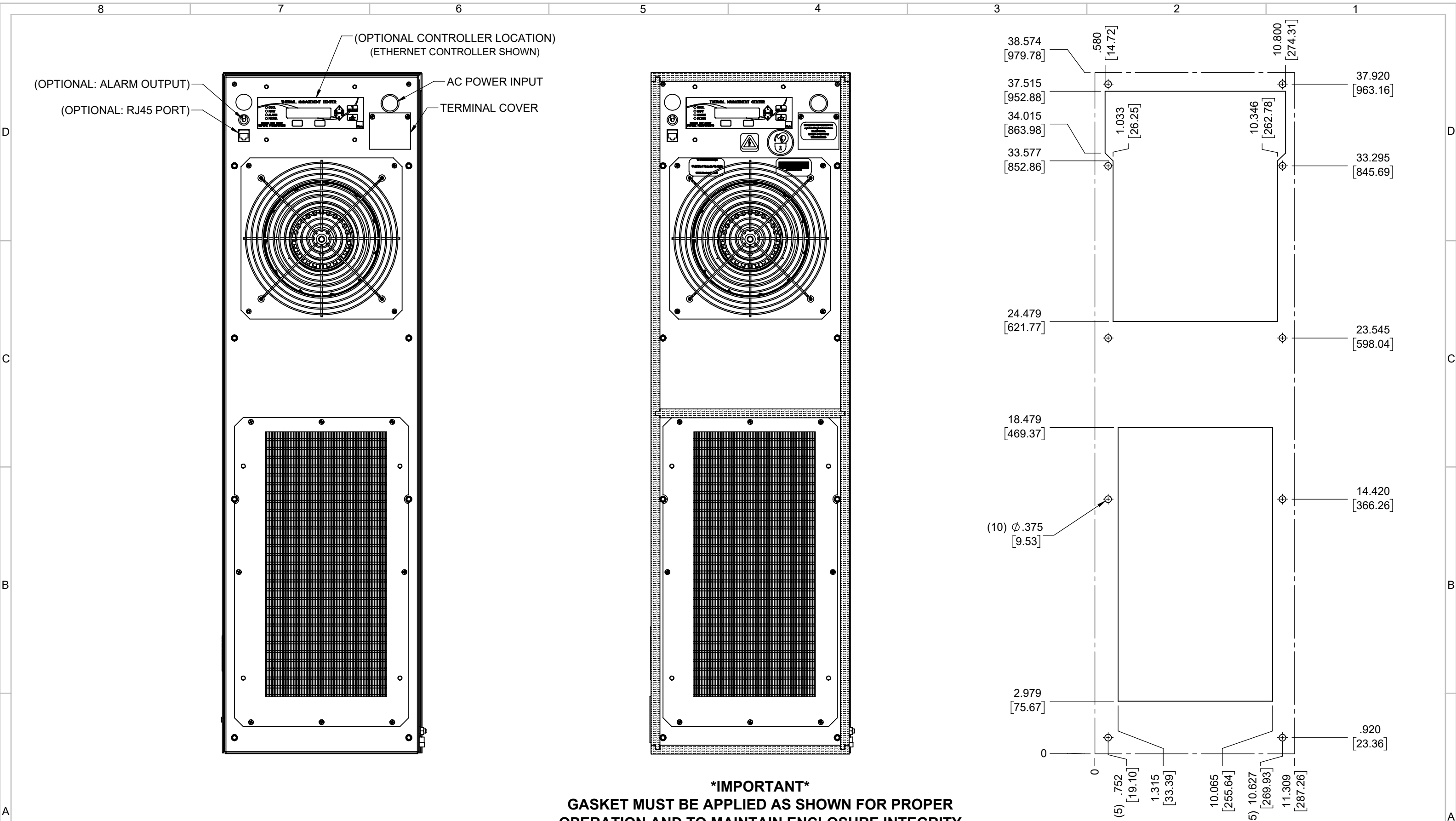
UNLESS OTHERWISE SPECIFIED TOLERANCES
.X ±.060
.XX ±.030
.XXX ±.015
FRACTIONAL ±1/16
ANGULAR ±1/2°
SURFACE FINISH 63
DO NOT SCALE DRAWING DIMENSIONS ARE INCHES

ICE QUBE, INC.
 THIS IS A PROPRIETARY DOCUMENT. DO NOT REPRODUCE OR DISCLOSE WITHOUT THE EXPRESS WRITTEN PERMISSION OF ICE QUBE, INC.

DESCRIPTION
IQ10000EV SPEC DRAWING

DRAWING NUMBER
IQ351081

REV
E



IMPORTANT
GASKET MUST BE APPLIED AS SHOWN FOR PROPER OPERATION AND TO MAINTAIN ENCLOSURE INTEGRITY

EVAP. OUTLET ≈ 510 CFM
 COND. OUTLET ≈ 800 CFM
 SOUND LEVEL @5FT FROM UNIT @ A HT. OF 3FT = 68 dBA
 SOUND LEVEL @2FT FROM UNIT @ A HT. OF 5FT = 70 dBA
 CONDENSER INLET MIN. CLEARANCE 3.00"

ITEM NUMBER N/A	USED ON IQ10000EV	UNLESS OTHERWISE SPECIFIED TOLERANCES X ±.060 .XX ±.030 .XXX ±.015	 <small>THIS IS A PROPRIETARY DOCUMENT. DO NOT REPRODUCE OR DISCLOSE WITHOUT THE EXPRESS WRITTEN PERMISSION OF ICE QUBE, INC.</small>
MATERIAL N/A		FRACTIONAL ±1/4 ANGULAR ±1/2°	
EST WT: lbs		SURFACE FINISH 63	DESCRIPTION IQ10000EV SPEC DRAWING
DRAWN BY ART	DATE 10/12/2016	SCALE 1:5	DRAWING NUMBER IQ351081
		DO NOT SCALE DRAWING DIMENSIONS ARE INCHES	REV E