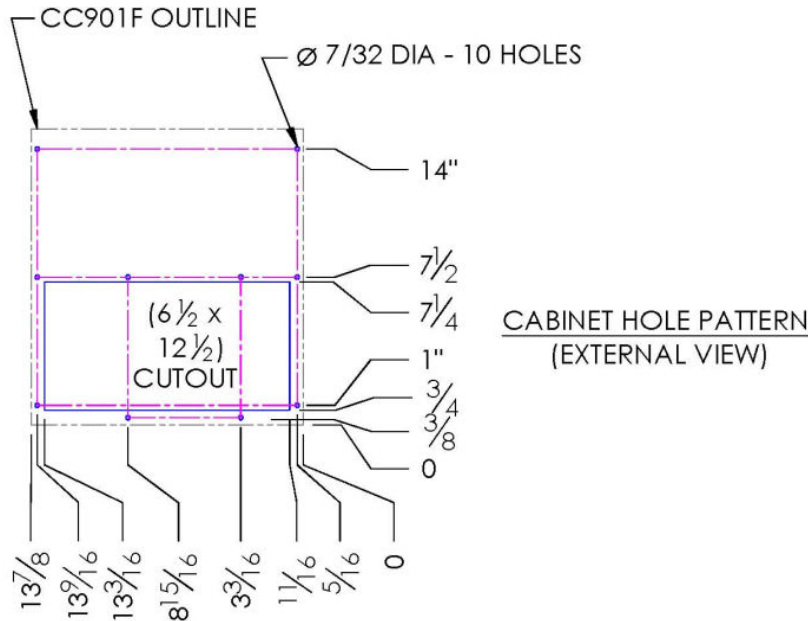
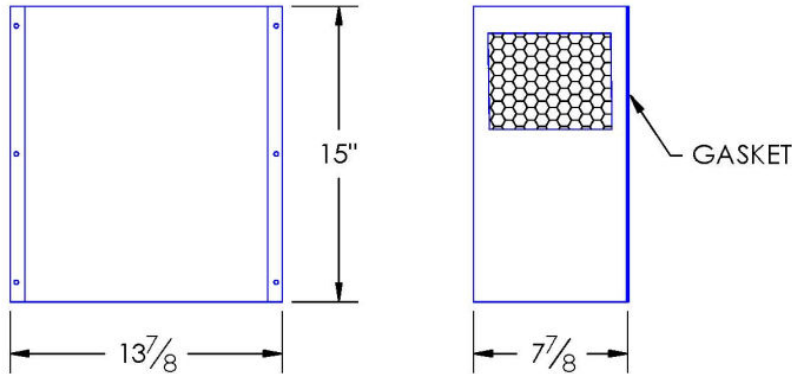


CC901F-WL-TYPE 4 COMPACT CABINET COOLER AIR-TO-AIR FLUSH-MOUNT MODEL

Model	Weight	Rating @ 20°C ΔT BTU / hr	Amps Current Draw at 115 volts AC	Fan Size	Dimensions-Inches (H x W x D)
CC901F-WL-TYPE 4	16 lbs	4,500	0.6	2 x 6"	15 x 13-7/8 x 7-7/8

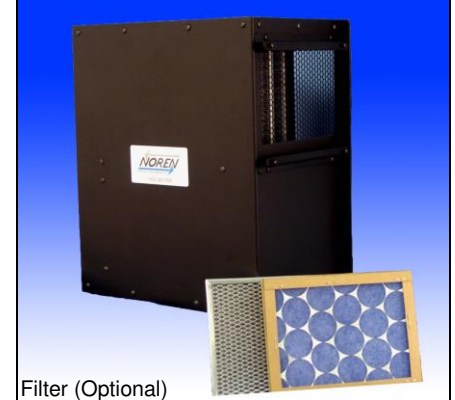
Efficiency: 66.0 Watts / °C ΔT based on average internal cabinet temperature.



Outside View



Inside View



Filter (Optional)

SPECIFICATIONS

1. UL Listed for TYPE 4 environments.
2. CC901F Rated cooling: 1,320 Watts at 20°C ΔT (66.0 W/°C, mounted to an uninsulated 72" x 36" x 24" cabinet.)
3. Designed for surface mounting on outside of cabinet.
4. Housing is aluminum (color is black). Stainless steel is available (TYPE 4X).
5. Equipped with mounting gasket to maintain the TYPE 4 integrity of your cabinet.
6. Pressure tested to insure liquid tight seal.
7. External fan is UL rated for Wet Locations / Outdoor use (WL). This new fan is the Noreen Universal Fan (UF).
8. Internal 6-ft. power cord with 3-prong plug is standard for AC powered units.
9. Available with VAC (115 & 230) and VDC (12, 24, & 48) fans. DC powered units include junction box, consult website.
10. Vertical mounting (as shown) is standard. Call for horizontal applications.
11. Optional: inlet air-filter kit available upon request.
12. For design, quote, and sizing assistance: call (888) 754-6329.

Subject to change without notice.



Proudly made in USA



ISO 9001:2008
FM 554949

NOREN Pelmar Engineering Ltd.

Tel. (888) 754-6329
sales@pelmareng.com
www.pelmareng.com

CC901F-WL-TYPE 4

CCS-PBD-7.2.2-8833609-B