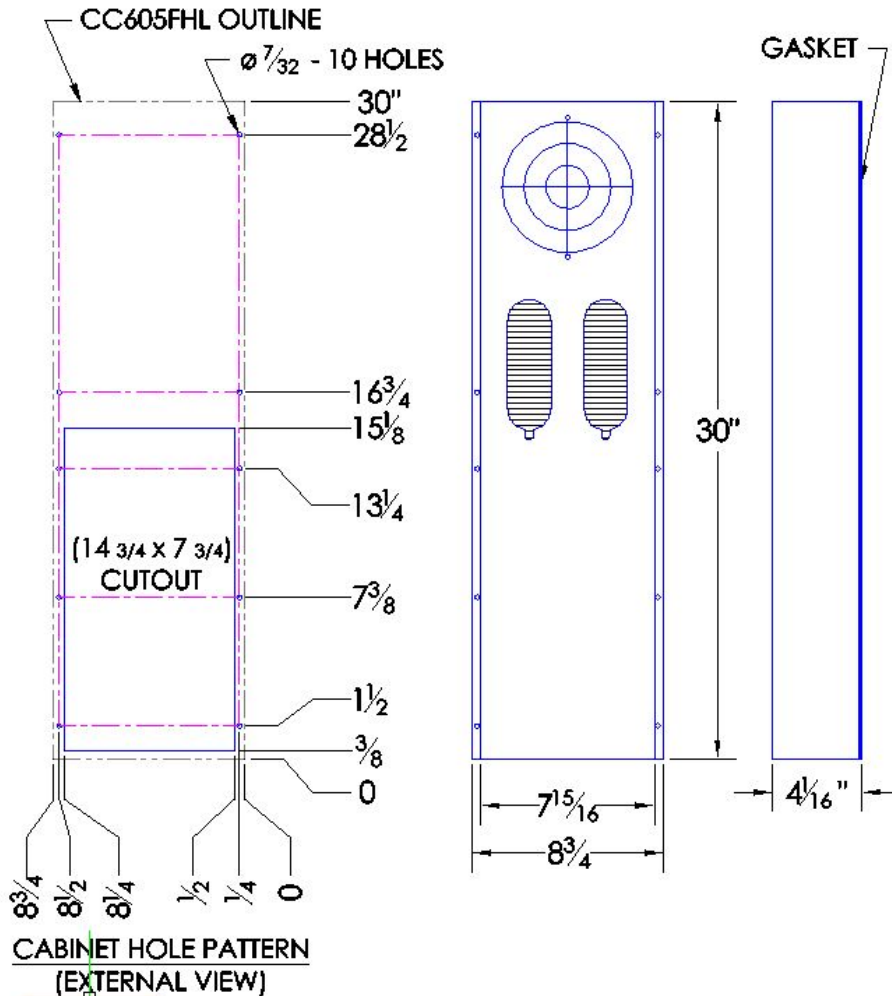


**Hazardous Locations, Class 1, Division 2, Group A, B, C and D**  
**CC605FHL-WL-TYPE 4X, xxx, Class 1/Div 2**  
**COMPACT CABINET COOLER**  
**AIR-TO-AIR FLUSH-MOUNT MODEL**

Model	Weight	Rating @ 20°C ΔT BTU / hr	Amps Current Draw at 115 volts AC	Fan Size	Dimensions-Inches (H x W x D)
CC605FHL	23 lbs	3,300	0.72	2 x 6"	30 x 8-3/4 x 4-1/16

Efficiency: 49.4 Watts / °C ΔT based on average internal cabinet temperature.



**SPECIFICATIONS**

1. UL Listed for TYPE 4X environments, Hazard Location Class 1 / Div 2
2. CC605FHL Rated cooling: 988 Watts at 20°C ΔT (Temp Code T4) (49.4 W/°C, mounted to an uninsulated 72" X 36" X 24" Cabinet)
3. Designed for surface mounting on outside of purged or non-purged cabinet.
4. Housing is Stainless Steel (TYPE 316)
5. Equipped with mounting gasket to the TYPE 4X integrity of your cabinet.
6. Pressure tested to insure liquid tight seal.
7. External fan is UL rated for Wet Locations / Outdoor use (WL).
8. Internal 6-ft power cord.
9. Available with DC and AC (12VDC, 24VDC, 48VDC, 115VAC & 230VAC). Designation xxx indicates voltage.
10. Vertical mounting (as shown) is standard. Call for horizontal applications.
11. Optional: inlet air-filter kit available upon request.
12. For design, quote, and sizing assistance: call (888) 754-6329.



NOREN

**Pelmar Engineering Ltd.**

Tel. (888) 754-6329  
sales@pelmareng.com  
www.pelmareng.com

**CC605FHL-WL-TYPE 4X,**  
**xxx, Class 1/Div 2**

CCS-PBD-8.2.1-883616-D