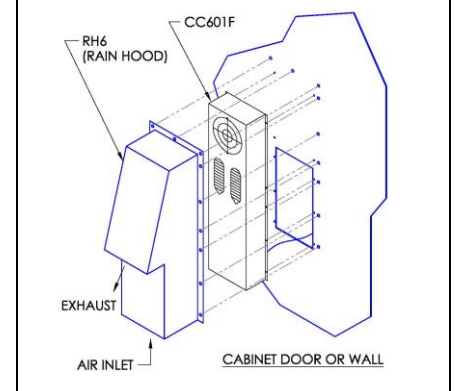
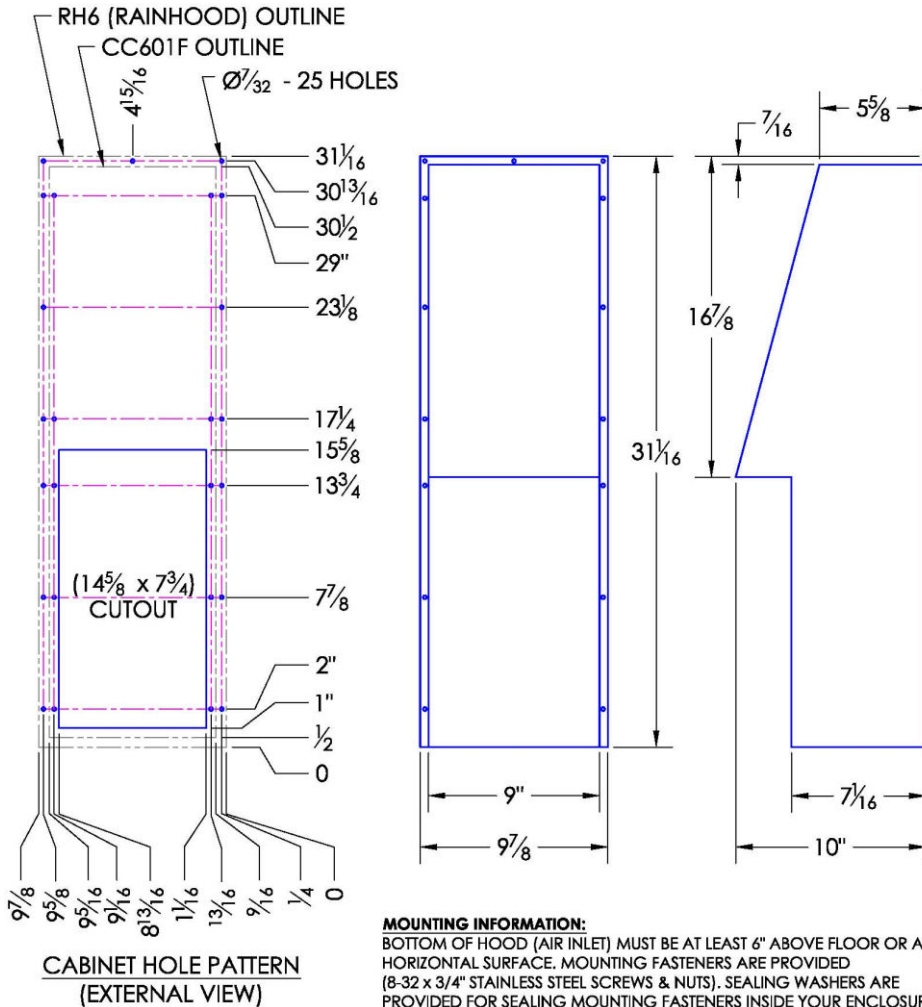


CC601F-RH6 & CC601F-WL*-RH6 COMPACT CABINET COOLER WITH RAIN HOOD MODEL

Model	Weight	Rating @ 20°C ΔT BTU / hr	Amps Current Draw at 115 volts AC	Fan Size 2 x 6"	Dimensions-Inches (H x W x D)
CC601F- RH6	20 lbs	3,300	0.98	2 x 6"	31-1/16 x 9-7/8 x 10

Efficiency: 48.4 Watts / °C ΔT based on average internal cabinet temperature.



SPECIFICATIONS

- Unit and options are UL Listed (SA9567).
- For NEMA / TYPE 3R or 4 applications (OUTDOOR USE).
- Equipped with mounting gasket to maintain the NEMA / TYPE 3R or 4 integrity of your cabinet.
- Pressure tested to insure liquid tight seal.
- * 5. Optional "WET LOCATION FAN" (-WL) is required for any "HOSE DOWN" application.**
- Cabinet cooler with hood design for surface mounting on outside of cabinet.
- Standard aluminum housing color is black. Stainless steel is available.
- Rated cooling: 968 Watts at 20°C ΔT (48.4 W/°C, mounted to an uninsulated 72" x 36" x 24" cabinet.)
- Optional: inlet air-filter kit available upon request.
- Available with AC (115 & 230V) and DC (12, 24, & 48V) fans. DC version includes junction box, consult website.
- 11. For design, quote, and sizing assistance: call (888) 754-6329**



NOREN 11575 - 11575
11575 - 11575
11575 - 11575 **Pelmar Engineering Ltd.**
Tel. (888) 754-6329
sales@pelmareng.com
www.pelmareng.com
CC601F-RH6 & CC601F-WL*-RH6
CCS-PBD-7.2.2-883346-B