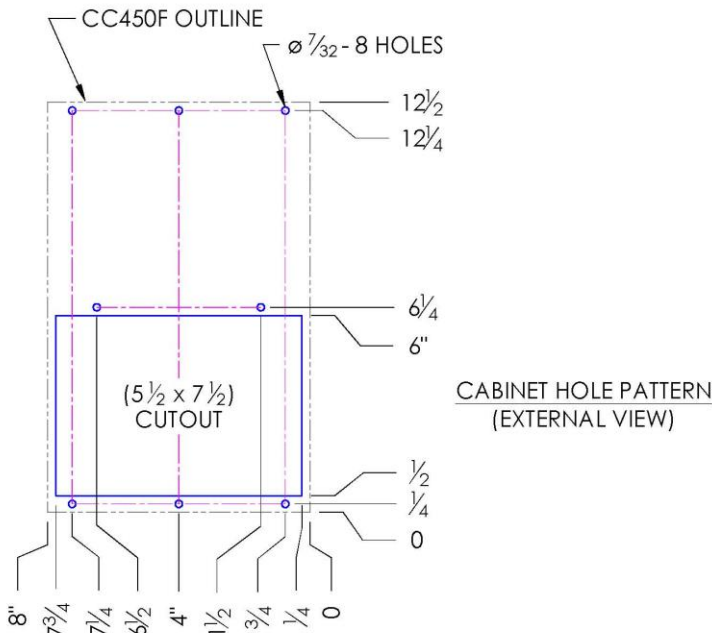
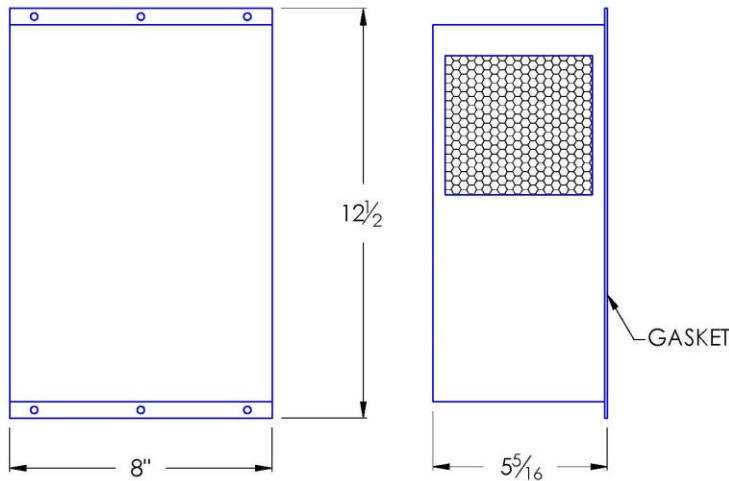


# CC450F STAINLESS STEEL NEMA 4X COMPACT CABINET COOLER AIR-TO-AIR FLUSH-MOUNT MODEL

Model	Weight	Rating @ 20°C ΔT BTU / hr	Amps Current Draw at 115 volts AC	Fan Size 2 x 4"	Dimensions-Inches (H x W x D)
CC450F,SS	13 lbs	1,400	0.4	2 x 4"	12-1/2 x 8 x 5-5/16

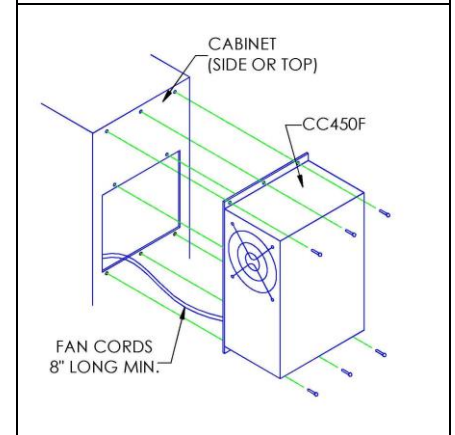
Efficiency: 21.0 Watts / °C ΔT based on average internal cabinet temperature.



Outside View



Inside View



## SPECIFICATIONS

1. For NEMA 4X environments and corrosion resistant applications.
2. CC450F Rated cooling: 420 Watts at 20°C ΔT (21.0 W/°C, mounted to an uninsulated 24" X 24" X 16" Cabinet)
3. Designed for surface mounting on outside of cabinet.
4. Housing is Type 304 Stainless Steel. (316 SS is special order.)
5. Equipped with mounting gasket to maintain the NEMA 4X integrity of your cabinet.
6. Available with AC (115 & 230V) and DC (12, 24, & 48) fans.
7. Vertical mounting (as shown) is standard. Call for horizontal applications.
8. Optional: inlet air-filter kit available upon request.
9. For design, quote, and sizing assistance: call (888) 754-6329

Subject to change without notice.



Proudly made in USA

ISO 9001:2008  
FM 554949

NOREN

[Pelmar Engineering Ltd.](http://www.pelmareng.com)

Tel. (888) 754-6329  
sales@pelmareng.com  
www.pelmareng.com

**CC450F STAINLESS STEEL  
NEMA 4X**

CCS-PBD-7.2.2-883379-A