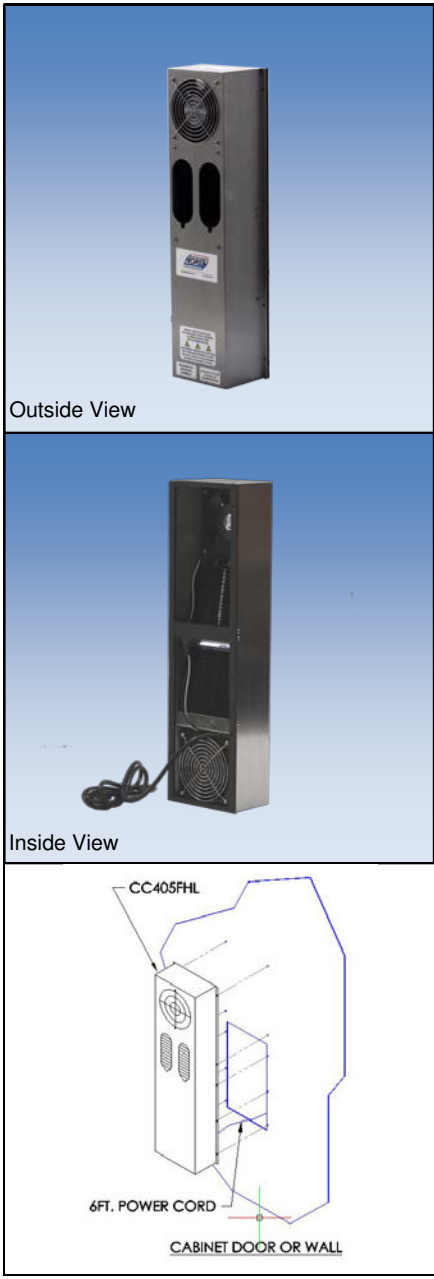


Hazardous Locations, Class 1, Division 2, Group A, B, C and D
CC405FHL-WL-TYPE 4X, xxx, Class 1/Div 2
COMPACT CABINET COOLER
AIR-TO-AIR FLUSH-MOUNT MODEL

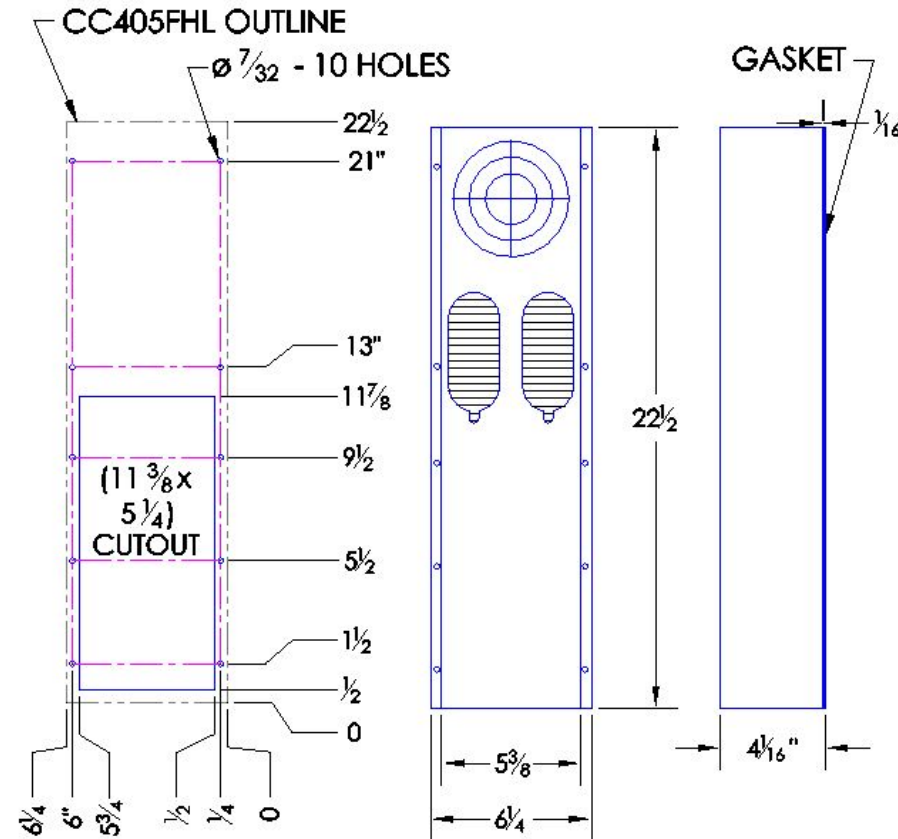
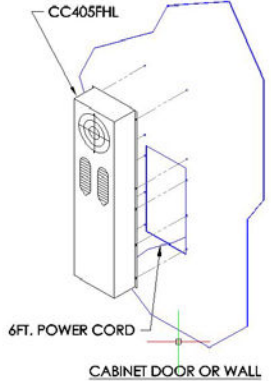
Model	Weight	Rating @ 20°C ΔT BTU / hr	Amps Current Draw at 115 volts AC	Fan Size	Dimensions-Inches (H x W x D)
CC405FHL	15 lbs.	1,400	0.5	2 x 4"	22-1/2 x 6-1/4 x 4-1/16

Efficiency: 20.4 Watts / °C ΔT based on average internal cabinet temperature.



Outside View

Inside View



**CABINET HOLE PATTERN
(EXTERNAL VIEW)**

SPECIFICATIONS

1. UL Listed for TYPE 4X environments, Hazard Location Class 1 / Div 2
2. CC405FHL Rated cooling: 408 Watts at 20°C ΔT (Temp Code T4) (20.4 W/°C, mounted to an uninsulated 24" X 24" X 16" Cabinet)
3. Designed for surface mounting on outside of purged or non-purged cabinet.
4. Housing is Stainless Steel (TYPE 316)
5. Equipped with mounting gasket to the TYPE 4X integrity of your cabinet.
6. Pressure tested to insure liquid tight seal.
7. External fan is UL rated for Wet Locations / Outdoor use (WL).
8. Internal 6-ft power cord.
9. Available with DC and AC (12VDC, 24VDC, 48VDC, 115VAC & 230VAC). Designation xxx indicates voltage.
10. Vertical mounting (as shown) is standard. Call for horizontal applications.
11. Optional: inlet air-filter kit available upon request.
12. For design, quote, and sizing assistance: call (888) 754-6329.



NOREN **Pelmar Engineering Ltd.**
Tel. (888) 754-6329
sales@pelmareng.com
www.pelmareng.com
**CC405FHL-WL-TYPE 4X,
xxx, Class 1/Div 2**
CCS-PBD-8.2.1-883615-F

Subject to change without notice.