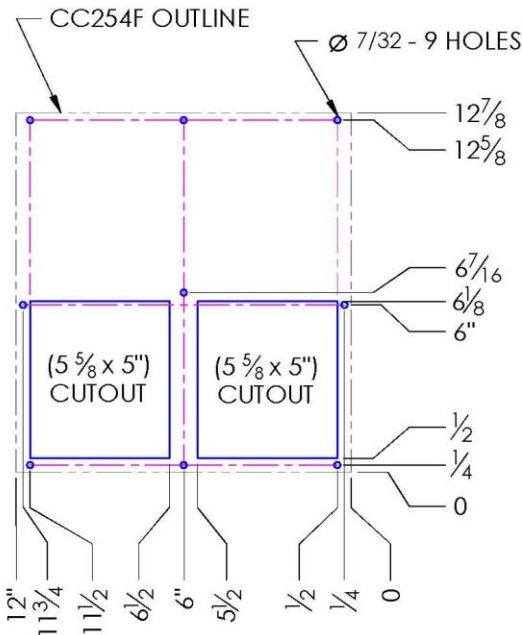
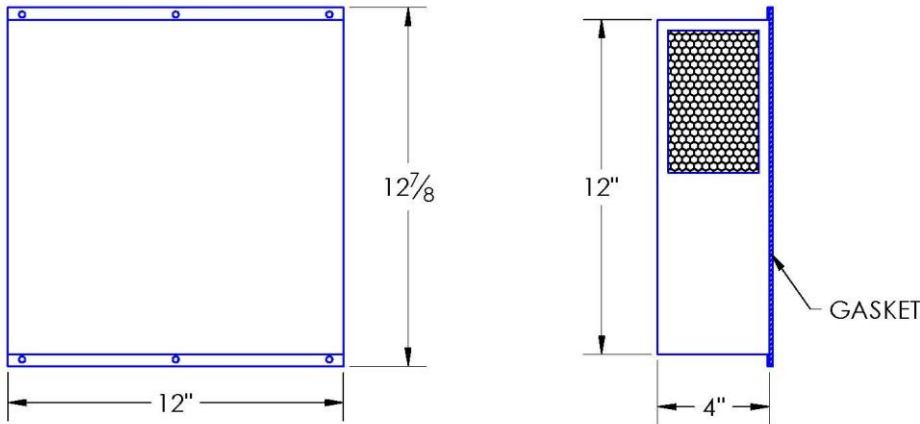


# CC254F STAINLESS STEEL NEMA 4X COMPACT CABINET COOLER AIR-TO-AIR FLUSH-MOUNT MODEL

Model	Weight	Rating @ 20°C ΔT BTU / hr	Amps Current Draw at 115 volts AC	Fan Size	Dimensions-Inches (H x W x D)
CC254F,SS	13 lbs	1,100	0.4	2 x 4"	2-7/8 x 12 x 4

Efficiency: 16.5 Watts / °C ΔT based on average internal cabinet temperature.



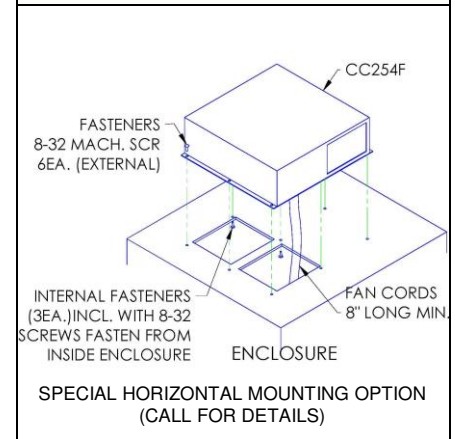
CABINET HOLE PATTERN  
(EXTERNAL VIEW)



Outside View



Inside View



## SPECIFICATIONS

1. For NEMA 4X environments and corrosion resistant applications.
2. CC254F Rated cooling: 330 Watts at 20°C ΔT (16.5 W/°C, mounted to an uninsulated 24" X 24" X 16" Cabinet)
3. Designed for surface mounting on outside of cabinet.
4. Housing is Type 304 or 316 Stainless Steel.
5. Equipped with mounting gasket to maintain the NEMA 4X integrity of your cabinet.
6. Available with VAC (115 & 230) and VDC (12, 24, & 48) fans.
7. Vertical mounting (as shown) is standard. Call for horizontal applications.
8. Optional: inlet air-filter kit available upon request.
9. For design, quote, and sizing assistance: call (888) 754-6329, (416) 288-1736

Subject to change without notice.



Proudly made in USA



ISO 9001:2008  
FM 554949

NOREN

**Pelmar Engineering Ltd.**

Tel. (888) 754-6329  
sales@pelmareng.com  
www.pelmareng.com

**CC254F STAINLESS STEEL  
NEMA 4X**

CCS-PBD-7.2.2-883380-B