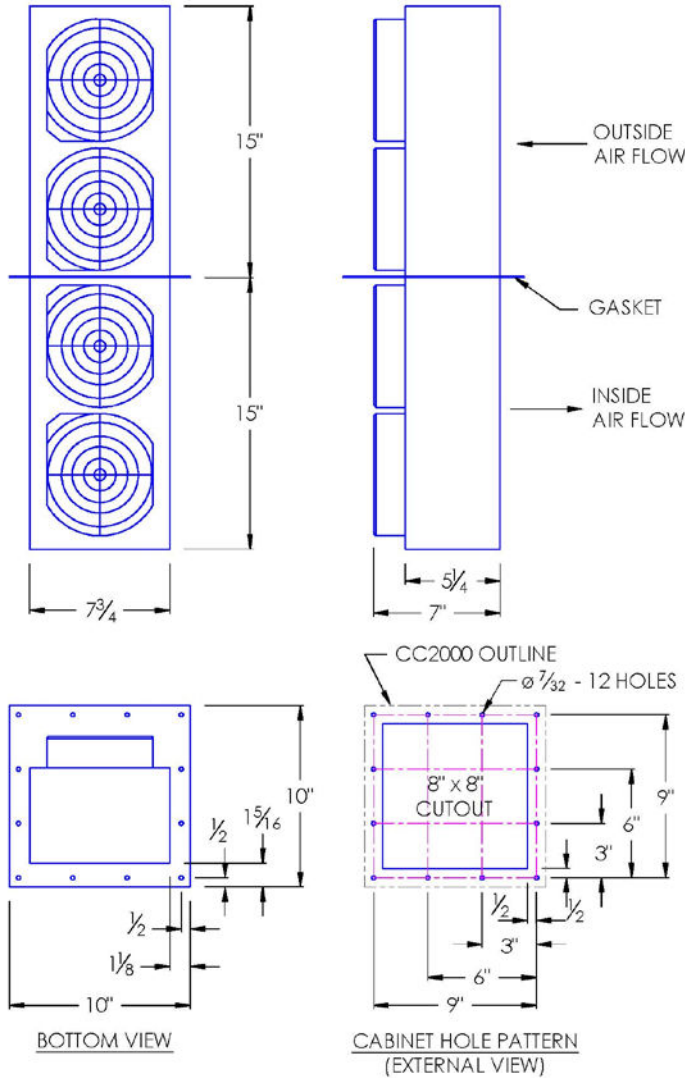


CC2000 TYPE 12 COMPACT CABINET COOLER AIR-TO-AIR DROP-IN MODEL

Model	Weight	Rating @ 20°C ΔT BTU / hr	Amps Current Draw at 115 volts AC	Fan Size	Dimensions-Inches (H x W x D)
CC2000	28 lbs	7,500	1.2	4 x 6"	30 x 7-3/4 x 7

Efficiency: 110.4 Watts / °C ΔT based on average internal cabinet temperature.



- SPECIFICATIONS**
1. UL Listed for TYPE 12 environments.
 2. CC2000 Rated cooling: 2,208 Watts at 20°C ΔT (110.4 W/°C, mounted to an uninsulated 72" X 36" X 24" Cabinet)
 3. Extends 15" into cabinet.
 4. Housing is aluminum (color is black). Stainless steel is available.
 5. Equipped with mounting gasket to maintain air tight seal.
 6. Internal 6-ft. power cord with 3-prong plug is standard for AC powered units.
 7. Available with VAC (115 & 230) and VDC (12, 24, & 48) fans. DC powered units include junction box, consult website.
 8. Unit may be mounted vertically (as shown) or horizontally.
 9. Optional: inlet air-filter kit available upon request.
 10. For design, quote, and sizing assistance: call (888) 754-6329, (416) 288-1736

Subject to change without notice.



Pelmar Engineering Ltd.

Tel. (888) 754-6329
sales@pelmareng.com
www.pelmareng.com

CC2000 TYPE 12

CCS-PBD-8.2.1-883359-C