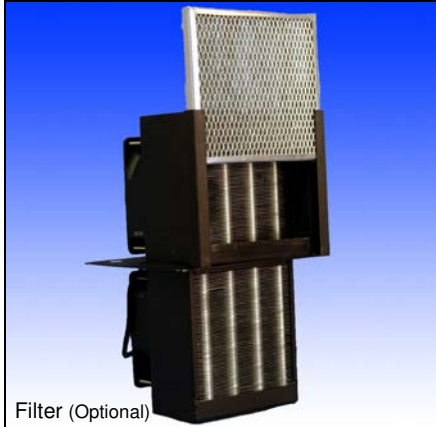
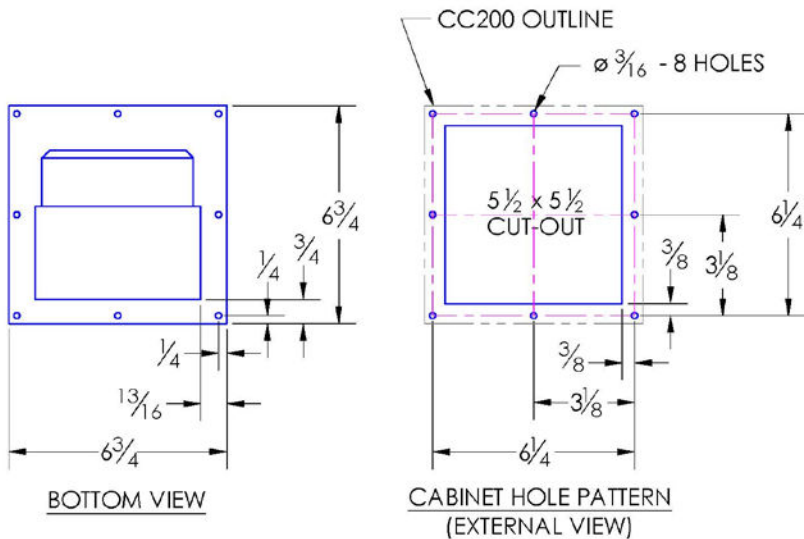
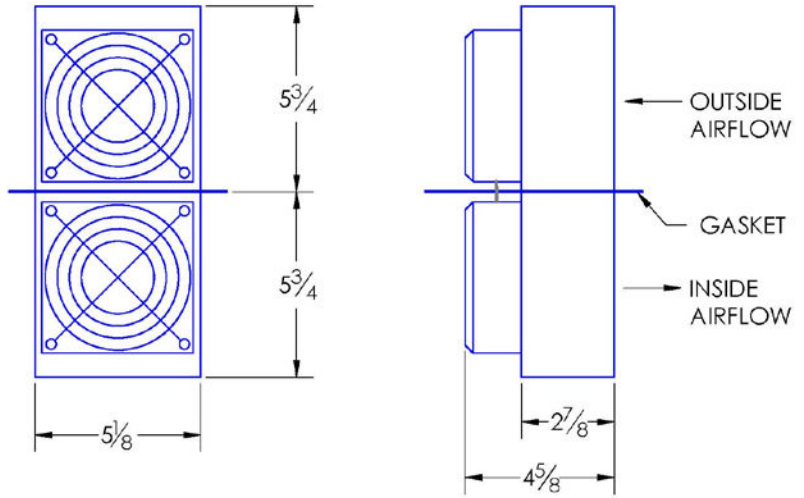


CC200 TYPE 12 COMPACT CABINET COOLER AIR-TO-AIR DROP-IN MODEL

Model	Weight	Rating @ 20°C ΔT BTU / hr	Amps Current Draw at 115 volts AC	Fan Size	Dimensions-Inches (H x W x D)
CC200	6 lbs	1,100	0.4	2 x 4"	11-1/2 x 5-1/8 x 4-5/8

Efficiency: 16.5 Watts / °C ΔT based on average internal cabinet temperature.



SPECIFICATIONS

- UL Listed for TYPE 12 environments.
- CC200 Rated cooling: 330 Watts at 20°C ΔT (16.5 W/°C, mounted to an uninsulated 24" X 24" X 16" Cabinet)
- Extends 5-3/4" into cabinet.
- Housing is aluminum (color is black). Stainless steel is available.
- Equipped with mounting gasket to maintain air tight seal.
- Internal 6-ft. power cord with 3-prong plug is standard for AC powered units.
- Available with VAC (115 & 230) and VDC (12, 24, & 48) fans. DC powered units include junction box, consult website.
- Unit may be mounted vertically (as shown) or horizontally.
- Optional: inlet air-filter kit available upon request.
- For design, quote, and sizing assistance: call (888) 754-6329, (416) 288-1736

Subject to change without notice.



Pelmar Engineering Ltd.

Tel. (888) 754-6329
sales@pelmareng.com
www.pelmareng.com

CC200 TYPE 12

CCS-PBD-8.2.1-883365-C