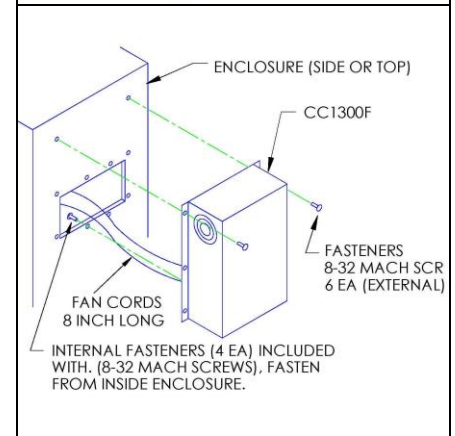
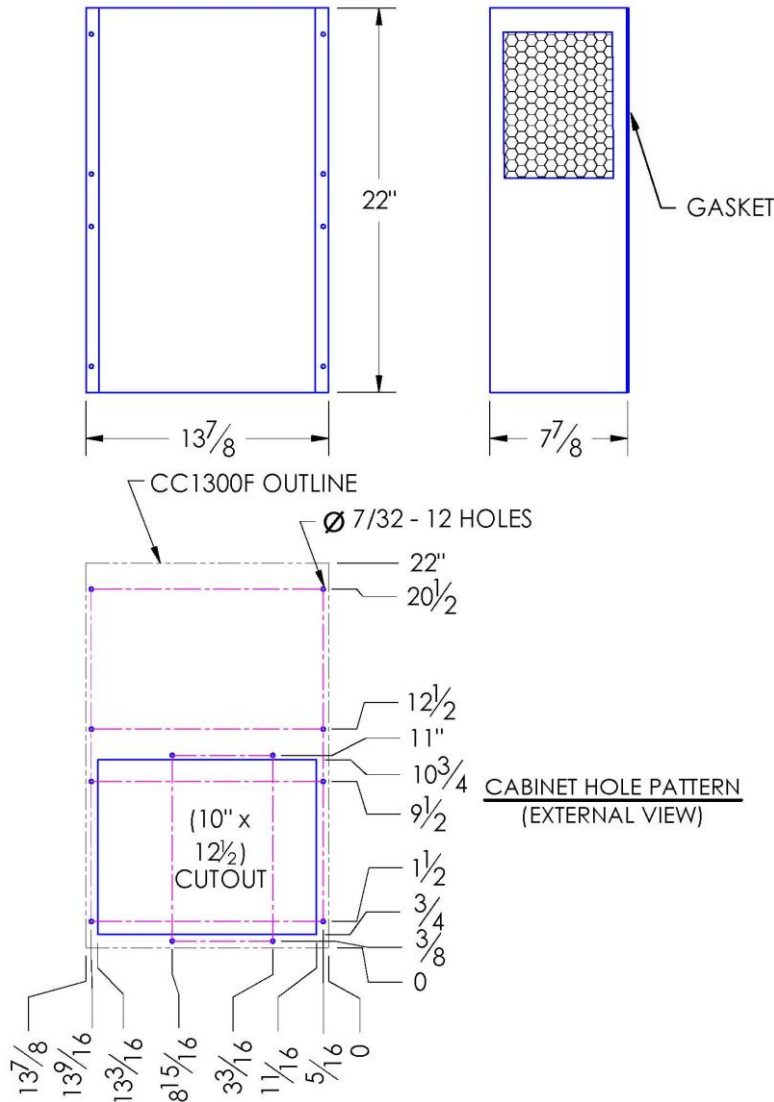


# CC1300F STAINLESS STEEL NEMA 4X COMPACT CABINET COOLER AIR-TO-AIR FLUSH-MOUNT MODEL

Model	Weight	Rating @ 20°C ΔT BTU / hr	Amps Current Draw at 115 volts AC	Fan Size	Dimensions-Inches (H x W x D)
CC1300F,SS	40 lbs	5,100	0.6	2 x 6"	22 x 13-7/8 x 7-7/8

Efficiency: 75.0 Watts / °C ΔT based on average internal cabinet temperature.



## SPECIFICATIONS

- For NEMA 4X environments and corrosion resistant applications.
- CC1300F Rated cooling: 1,500 Watts at 20°C ΔT (75.0 W/°C, mounted to an uninsulated 72" X 36" X 24" Cabinet)
- Designed for surface mounting on outside of cabinet.
- Housing is Type 304 Stainless Steel. (316 SS is special order.)
- Equipped with mounting gasket to maintain the NEMA 4X integrity of your cabinet.
- Available with VAC (115 & 230) and VDC (12, 24, & 48) fans.
- Vertical mounting (as shown) is standard. Call for horizontal applications.
- Optional: inlet air-filter kit available upon request.
- 9. For design, quote, and sizing assistance: call (888) 754-6329.**

Subject to change without notice.



**NOREN** [Pelmar Engineering Ltd.](http://Pelmar Engineering Ltd.)

Tel. (888) 754-6329  
[sales@pelmareng.com](mailto:sales@pelmareng.com)

**CC1300F STAINLESS STEEL  
NEMA 4X**

CCS-PBD-7.2.2-883375-B