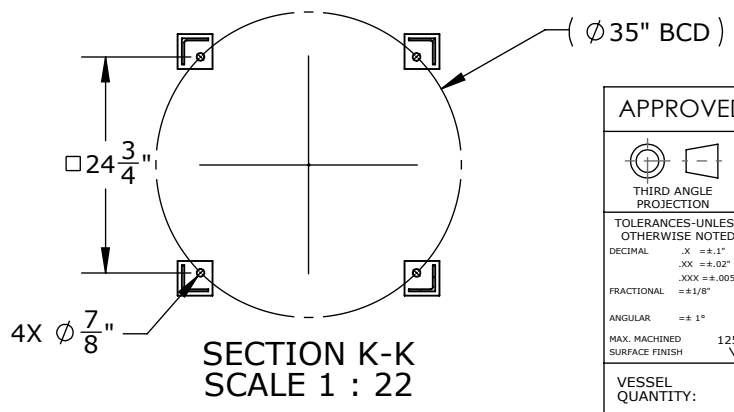
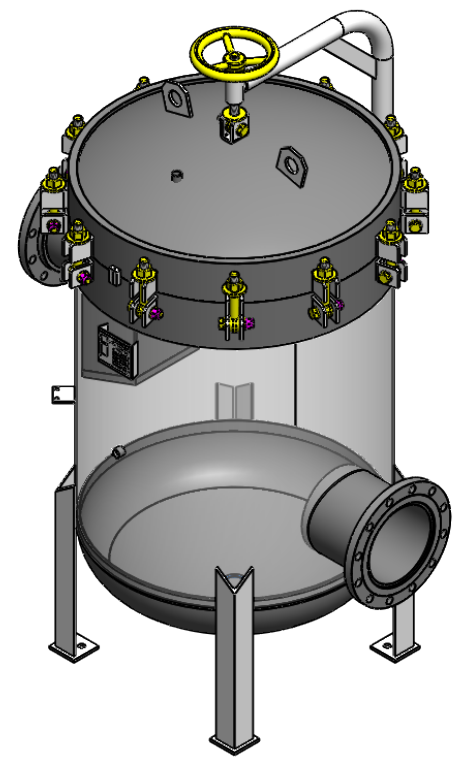
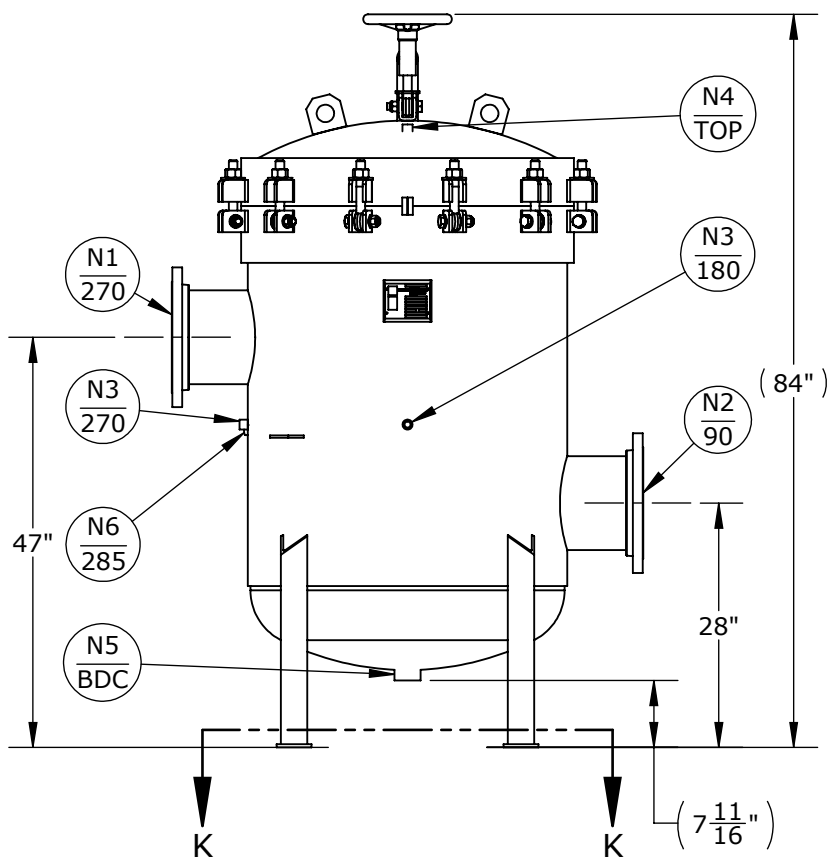


NOZZLE SCHEDULE			
MARK	QTY	SIZE / RATING	DESCRIPTION
N1	1	10" RFSO CL150	INLET
N2	1	10" RFSO CL150	OUTLET
N3	2	1/2" NPT CL3000	PRESSURE GAUGE
N4	1	1/2" NPT CL3000	VENT
N5	1	2" NPT CL3000	CLEAN DRAIN
N6	1	1/2" NPT CL3000	DIRTY DRAIN

VESSEL DESIGN CONDITIONS			
CODE: ASME SECTION VIII DIV. 1, 2019 EDITION			
M.A.W.P.: 150 PSI @ 400°F	M.D.M.T.: -20°F @ 150 PSI		
M.A.W.P.: FV PSI @ 400°F	HYDROTEST PRESS: 210 PSI		
CORROSION ALLOWANCE: N/A	SERVICE: UNK. LIQUID, NON-LETHAL		
STAMP: U	RADIOGRAPHY: N/A		
PWHT: N/A	GASKET: <input type="checkbox"/> BUNA <input type="checkbox"/> VITON <input type="checkbox"/> EPDM		
MATERIAL: SS316	<input type="checkbox"/> OTHER:		
NOTES:		FACTORY INSTALLED OPTIONS:	
DRY WEIGHT: 1340 LBS		<input type="checkbox"/> STAINLESS STEEL BOLTING (SS316)	
SHIPPING WEIGHT: 1500 LBS		<input type="checkbox"/> MESH LINED BASKETS: _____ MESH	
VOLUME: 32.75 CU. FT.		<input type="checkbox"/> N3 DIFFERENTIAL PRESSURE GAUGE	
INTERNALS: 14x SIZE 2 BASKETS (SS316)		TYPE: _____	
		<input type="checkbox"/> N4 PRESSURE RELIEF VALVE	
		TYPE: _____	
		<input type="checkbox"/> N4 AIR ELIMINATOR	
		TYPE: _____	
		<input type="checkbox"/> N4 VENT VALVE	
		<input type="checkbox"/> N5/N6 DRAIN VALVES	



APPROVED WITH MARK-UPS APPROVED

 THIRD ANGLE PROJECTION			FIL-TREK CORPORATION		
	55 Stafford Court Cambridge, Ontario N1T 1B3 Canada		Phone: (519) 623-7448 Fax: (519) 623-8807 Email: info@fil-trek.com Website: www.fil-trek.com		
THIS DRAWING IS THE PROPERTY OF 'FIL-TREK CORPORATION' AND MUST NOT BE COPIED OR USED IN ANY WAY DETRIMENTAL TO THE CORPORATION					
EQUIPMENT: LP SERIES (BAG FILTER VESSEL)					
MODEL NO: S6LP36-1412-10F-A-150A					
CUSTOMER:					
VESSEL QUANTITY:	DRAWN: AJ	DATE: 2020-03-05	SERIAL No.	Part No. 002004-01164	REV. No. 0
	CHK'D: TS	SCALE: NTS			