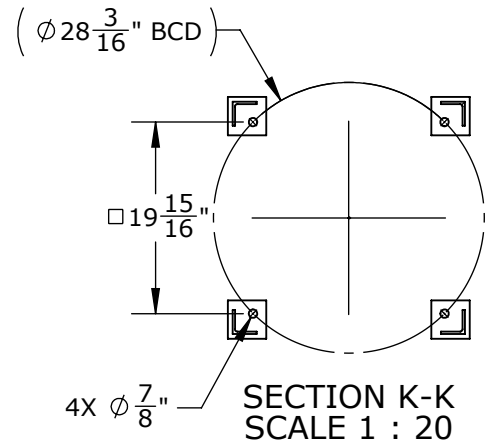
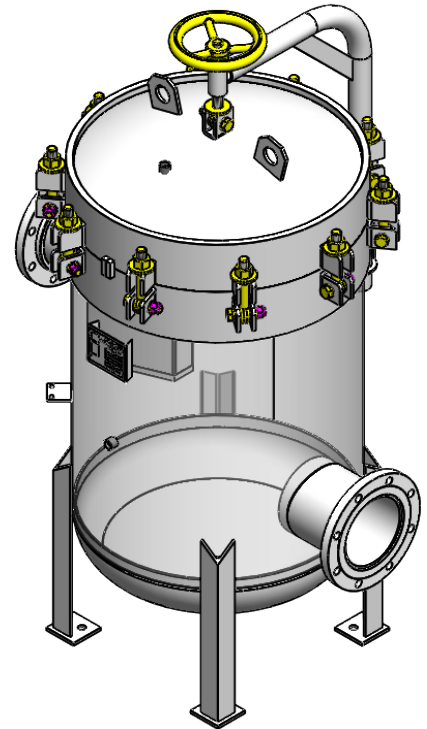
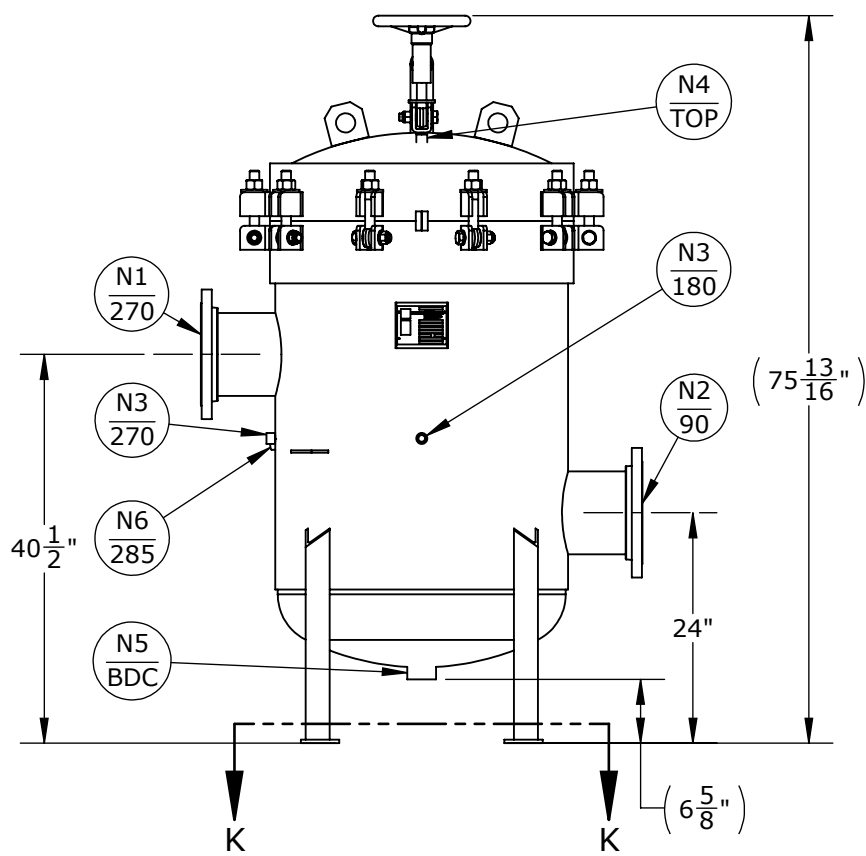


| NOZZLE SCHEDULE | | | |
|-----------------|-----|-----------------|----------------|
| MARK | QTY | SIZE / RATING | DESCRIPTION |
| N1 | 1 | 8" RFSO CL150 | INLET |
| N2 | 1 | 8" RFSO CL150 | OUTLET |
| N3 | 2 | 1/2" NPT CL3000 | PRESSURE GAUGE |
| N4 | 1 | 1/2" NPT CL3000 | VENT |
| N5 | 1 | 2" NPT CL3000 | CLEAN DRAIN |
| N6 | 1 | 1/2" NPT CL3000 | DIRTY DRAIN |

| VESSEL DESIGN CONDITIONS | |
|---|--|
| CODE: ASME SECTION VIII DIV. 1, 2019 EDITION | |
| M.A.W.P.: 150 PSI @ 400°F | M.D.M.T.: -20°F @ 150 PSI |
| M.A.W.P.: FV PSI @ 400°F | HYDROTEST PRESS: 210 PSI |
| CORROSION ALLOWANCE: N/A | SERVICE: UNK. LIQUID, NON-LETHAL |
| STAMP: U | RADIOGRAPHY: N/A |
| PWHT: N/A | GASKET: <input type="checkbox"/> BUNA <input type="checkbox"/> VITON <input type="checkbox"/> EPDM |
| MATERIAL: SS304 | <input type="checkbox"/> OTHER: _____ |
| NOTES: DRY WEIGHT: 840 LBS SHIPPING WEIGHT: 950 LBS VOLUME: 20.25 CU. FT. INTERNALS: 10x SIZE 2 BASKETS (SS304) | |
| FACTORY INSTALLED OPTIONS: <input type="checkbox"/> STAINLESS STEEL BOLTING (SS316) <input type="checkbox"/> MESH LINED BASKETS: _____ MESH <input type="checkbox"/> N3 DIFFERENTIAL PRESSURE GAUGE TYPE: _____ <input type="checkbox"/> N4 PRESSURE RELIEF VALVE TYPE: _____ <input type="checkbox"/> N4 AIR ELIMINATOR TYPE: _____ <input type="checkbox"/> N4 VENT VALVE <input type="checkbox"/> N5/N6 DRAIN VALVES | |



APPROVED WITH MARK-UPS APPROVED

| | | | | | |
|--|---|------------------|------------|-----------------------|------------|
| THIRD ANGLE PROJECTION TOLERANCES-UNLESS OTHERWISE NOTED DECIMAL .X = ±.1" .XX = ±.02" .XXX = ±.005" FRACTIONAL = ±1/8" ANGULAR = ± 1° MAX. MACHINED SURFACE FINISH 125/√ | FIL-TREK CORPORATION 55 Stafford Court Cambridge, Ontario N1T 1B3 Canada Phone: (519) 623-7448 Fax: (519) 623-8807 Email: info@fil-trek.com Website: www.fil-trek.com | | | | |
| | THIS DRAWING IS THE PROPERTY OF 'FIL-TREK CORPORATION' AND MUST NOT BE COPIED OR USED IN ANY WAY DETRIMENTAL TO THE CORPORATION EQUIPMENT: LP SERIES (BAG FILTER VESSEL) MODEL NO: S4LP30-1012-8F-A-150A CUSTOMER: | | | | |
| VESSEL QUANTITY: | DRAWN: AJ | DATE: 2020-03-05 | SERIAL No. | Part No. 002004-01136 | REV. No. 0 |
| | CHK'D: TS | SCALE: NTS | | | |