

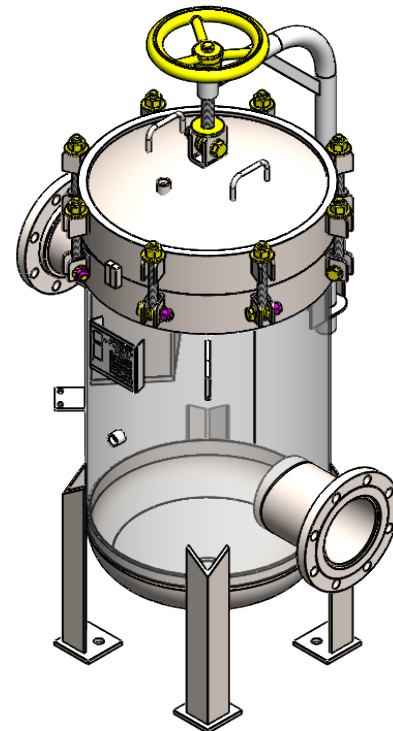
**NOZZLE SCHEDULE**

| MARK | QTY | SIZE / RATING   | DESCRIPTION    |
|------|-----|-----------------|----------------|
| N1   | 1   | 6" RFSO CL150   | INLET          |
| N2   | 1   | 6" RFSO CL150   | OUTLET         |
| N3   | 2   | 1/2" NPT CL3000 | PRESSURE GAUGE |
| N4   | 1   | 1/2" NPT CL3000 | VENT           |
| N5   | 1   | 2" NPT CL3000   | CLEAN DRAIN    |
| N6   | 1   | 1/2" NPT CL3000 | DIRTY DRAIN    |

**VESSEL DESIGN CONDITIONS**

|  |  |
|--|--|
| CODE: ASME SECTION VIII DIV. 1, 2019 EDITION |  |
| M.A.W.P.: 150 PSI @ 400°F                    | M.D.M.T.: -20°F @ 150 PSI  |
| M.A.W.P.: FV PSI @ 400°F                     | HYDROTEST PRESS: 210 PSI   |
| CORROSION ALLOWANCE: N/A                     | SERVICE: UNK. LIQUID, NON-LETHAL   |
| STAMP: U                                     | RADIOGRAPHY: N/A   |
| PWHT: N/A                                    | GASKET: <input type="checkbox"/> BUNA <input type="checkbox"/> VITON <input type="checkbox"/> EPDM |
| MATERIAL: CS                                 | <input type="checkbox"/> OTHER: _____  |

- NOTES:**
- DRY WEIGHT: 390 LBS
  - SHIPPING WEIGHT: 450 LBS
  - VOLUME: 7 CU. FT.
  - INTERNALS: 4x SIZE 2 BASKETS (SS304)
- FACTORY INSTALLED OPTIONS:**
- STAINLESS STEEL BOLTING (SS316)
  - MESH LINED BASKETS: \_\_\_\_\_ MESH
  - N3 DIFFERENTIAL PRESSURE GAUGE TYPE: \_\_\_\_\_
  - N4 PRESSURE RELIEF VALVE TYPE: \_\_\_\_\_
  - N4 AIR ELIMINATOR TYPE: \_\_\_\_\_
  - N4 VENT VALVE
  - N5/N6 DRAIN VALVES



APPROVED WITH MARK-UPS  APPROVED

THIRD ANGLE PROJECTION  
 TOLERANCES-UNLESS OTHERWISE NOTED  
 DECIMAL .X = ±.1" .XX = ±.02" .XXX = ±.005"  
 FRACTIONAL = ±1/8"  
 ANGULAR = ± 1"  
 MAX. MACHINED SURFACE FINISH 125/√

**FIL-TREK CORPORATION**  
 55 Stafford Court  
 Cambridge, Ontario  
 N1T 1B3  
 Canada  
 Phone: (519) 623-7448  
 Fax: (519) 623-8807  
 Email: info@fil-trek.com  
 Website: www.fil-trek.com

THIS DRAWING IS THE PROPERTY OF 'FIL-TREK CORPORATION' AND MUST NOT BE COPIED OR USED IN ANY WAY DETRIMENTAL TO THE CORPORATION

EQUIPMENT: LP SERIES (BAG FILTER VESSEL)  
 MODEL NO: LP20-412-6F-A-150A

|                  |           |                  |            |                       |            |
|------------------|-----------|------------------|------------|-----------------------|------------|
| VESSEL QUANTITY: | DRAWN: AJ | DATE: 2020-03-05 | SERIAL No. | Part No. 002004-01099 | REV. No. 0 |
|                  | CHK'D: TS | SCALE: NTS       |            |                       |            |