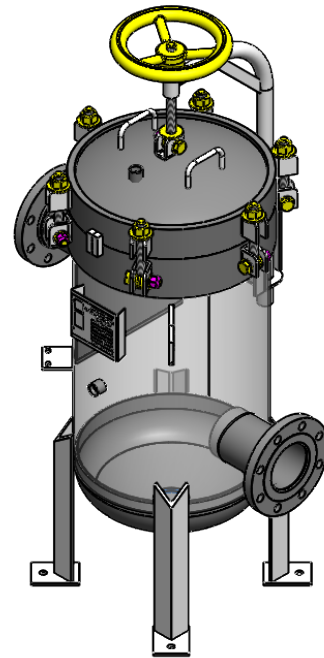


**NOZZLE SCHEDULE**

| MARK | QTY | SIZE / RATING   | DESCRIPTION    |
|------|-----|-----------------|----------------|
| N1   | 1   | 4" RFSO CL150   | INLET          |
| N2   | 1   | 4" RFSO CL150   | OUTLET         |
| N3   | 2   | 1/2" NPT CL3000 | PRESSURE GAUGE |
| N4   | 1   | 1/2" NPT CL3000 | VENT           |
| N5   | 1   | 2" NPT CL3000   | CLEAN DRAIN    |
| N6   | 1   | 1/2" NPT CL3000 | DIRTY DRAIN    |

**VESSEL DESIGN CONDITIONS**

|  |   |
|--|---|
| CODE: ASME SECTION VIII DIV. 1, 2019 EDITION   |   |
| M.A.W.P.: 150 PSI @ 400°F  | M.D.M.T.: -20°F @ 150 PSI   |
| M.A.W.P.: FV PSI @ 400°F   | HYDROTEST PRESS: 210 PSI  |
| CORROSION ALLOWANCE: N/A   | SERVICE: UNK. LIQUID, NON-LETHAL  |
| STAMP: U   | RADIOGRAPHY: N/A  |
| PWHT: N/A  | GASKET: <input type="checkbox"/> BUNA <input type="checkbox"/> VITON <input type="checkbox"/> EPDM  |
| MATERIAL: SS316  | <input type="checkbox"/> OTHER: _____   |
| <b>NOTES:</b><br>DRY WEIGHT: 260 LBS<br>SHIPPING WEIGHT: 300 LBS<br>VOLUME: 3.75 CU. FT.<br>INTERNALS: 2x SIZE 2 BASKETS (SS316) | <b>FACTORY INSTALLED OPTIONS:</b><br><input type="checkbox"/> STAINLESS STEEL BOLTING (SS316)<br><input type="checkbox"/> MESH LINED BASKETS: _____ MESH<br><input type="checkbox"/> N3 DIFFERENTIAL PRESSURE GAUGE TYPE: _____<br><input type="checkbox"/> N4 PRESSURE RELIEF VALVE TYPE: _____<br><input type="checkbox"/> N4 AIR ELIMINATOR TYPE: _____<br><input type="checkbox"/> N4 VENT VALVE<br><input type="checkbox"/> N5/N6 DRAIN VALVES |



APPROVED WITH MARK-UPS  APPROVED

THIRD ANGLE PROJECTION  
 TOLERANCES-UNLESS OTHERWISE NOTED  
 DECIMAL .X = ±.1" .XX = ±.02" .XXX = ±.005"  
 FRACTIONAL = ±1/8"  
 ANGULAR = ± 1°  
 MAX. MACHINED SURFACE FINISH 125/√

**FIL-TREK CORPORATION**  
 55 Stafford Court  
 Cambridge, Ontario  
 N1T 1B3  
 Canada  
 Phone: (519) 623-7448  
 Fax: (519) 623-8807  
 Email: info@fil-trek.com  
 Website: www.fil-trek.com

THIS DRAWING IS THE PROPERTY OF 'FIL-TREK CORPORATION' AND MUST NOT BE COPIED OR USED IN ANY WAY DETRIMENTAL TO THE CORPORATION

EQUIPMENT: LP SERIES (BAG FILTER VESSEL)  
 MODEL NO: S6LP16-212-4F-A-150A  
 CUSTOMER:

|                  |           |                  |            |                       |            |
|------------------|-----------|------------------|------------|-----------------------|------------|
| VESSEL QUANTITY: | DRAWN: AJ | DATE: 2020-03-05 | SERIAL No. | Part No. 002004-01089 | REV. No. 0 |
|                  | CHK'D: TS | SCALE: NTS       |            |                       |            |