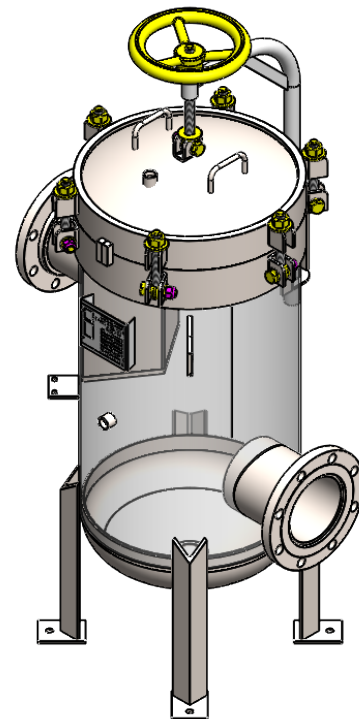


| NOZZLE SCHEDULE | | | |
|-----------------|-----|-----------------|----------------|
| MARK | QTY | SIZE / RATING | DESCRIPTION |
| N1 | 1 | 6" RFSO CL150 | INLET |
| N2 | 1 | 6" RFSO CL150 | OUTLET |
| N3 | 2 | 1/2" NPT CL3000 | PRESSURE GAUGE |
| N4 | 1 | 1/2" NPT CL3000 | VENT |
| N5 | 1 | 2" NPT CL3000 | CLEAN DRAIN |
| N6 | 1 | 1/2" NPT CL3000 | DIRTY DRAIN |

| VESSEL DESIGN CONDITIONS | |
|--------------------------------------|--|
| CODE: | ASME SECTION VIII DIV. 1, 2019 EDITION |
| M.A.W.P.: 150 PSI @ 400°F | M.D.M.T.: -20°F @ 150 PSI |
| M.A.W.P.: FV PSI @ 400°F | HYDROTEST PRESS: 210 PSI |
| CORROSION ALLOWANCE: N/A | SERVICE: UNK. LIQUID, NON-LETHAL |
| STAMP: U | RADIOGRAPHY: N/A |
| PWHT: N/A | GASKET: <input type="checkbox"/> BUNA <input type="checkbox"/> VITON <input type="checkbox"/> EPDM |
| MATERIAL: CS | <input type="checkbox"/> OTHER: _____ |
| NOTES: | FACTORY INSTALLED OPTIONS: |
| DRY WEIGHT: 320 LBS | <input type="checkbox"/> STAINLESS STEEL BOLTING (SS316) |
| SHIPPING WEIGHT: 400 LBS | <input type="checkbox"/> MESH LINED BASKETS: _____ MESH |
| VOLUME: 5.5 CU. FT. | <input type="checkbox"/> N3 DIFFERENTIAL PRESSURE GAUGE |
| INTERNALS: 3x SIZE 2 BASKETS (SS304) | TYPE: _____ |
| | <input type="checkbox"/> N4 PRESSURE RELIEF VALVE |
| | TYPE: _____ |
| | <input type="checkbox"/> N4 AIR ELIMINATOR |
| | TYPE: _____ |
| | <input type="checkbox"/> N4 VENT VALVE |
| | <input type="checkbox"/> N5/N6 DRAIN VALVES |



APPROVED WITH MARK-UPS APPROVED

| | | | | | |
|---|---|------------------|------------|-----------------------|------------|
| <p>THIRD ANGLE PROJECTION</p> <p>TOLERANCES-UNLESS OTHERWISE NOTED</p> <p>DECIMAL .X = ±.1" .XX = ±.02" .XXX = ±.005"</p> <p>FRACTIONAL = ±1/8"</p> <p>ANGULAR = ± 1°</p> <p>MAX. MACHINED SURFACE FINISH 125/√</p> | <p>FIL-TREK CORPORATION</p> <p>55 Stafford Court Cambridge, Ontario N1T 1B3 Canada</p> <p>Phone: (519) 623-7448 Fax: (519) 623-8807 Email: info@fil-trek.com Website: www.fil-trek.com</p> | | | | |
| | <p>THIS DRAWING IS THE PROPERTY OF 'FIL-TREK CORPORATION' AND MUST NOT BE COPIED OR USED IN ANY WAY DETRIMENTAL TO THE CORPORATION</p> <p>EQUIPMENT: LP SERIES (BAG FILTER VESSEL)</p> <p>MODEL NO: LP18-312-6F-A-150A</p> <p>CUSTOMER:</p> | | | | |
| VESSEL QUANTITY: | DRAWN: AJ | DATE: 2020-03-05 | SERIAL No. | Part No. 002004-01093 | REV. No. 0 |
| | CHK'D: TS | SCALE: NTS | | | |